



Chipsmall Limited consists of a professional team with an average of over 10 year of expertise in the distribution of electronic components. Based in Hongkong, we have already established firm and mutual-benefit business relationships with customers from,Europe,America and south Asia,supplying obsolete and hard-to-find components to meet their specific needs.

With the principle of "Quality Parts,Customers Priority,Honest Operation,and Considerate Service",our business mainly focus on the distribution of electronic components. Line cards we deal with include Microchip,ALPS,ROHM,Xilinx,Pulse,ON,Everlight and Freescale. Main products comprise IC,Modules,Potentiometer,IC Socket,Relay,Connector.Our parts cover such applications as commercial,industrial, and automotives areas.

We are looking forward to setting up business relationship with you and hope to provide you with the best service and solution. Let us make a better world for our industry!



Contact us

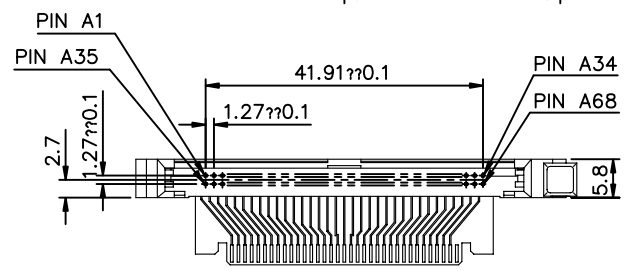
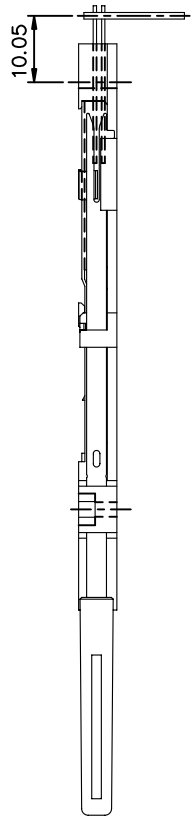
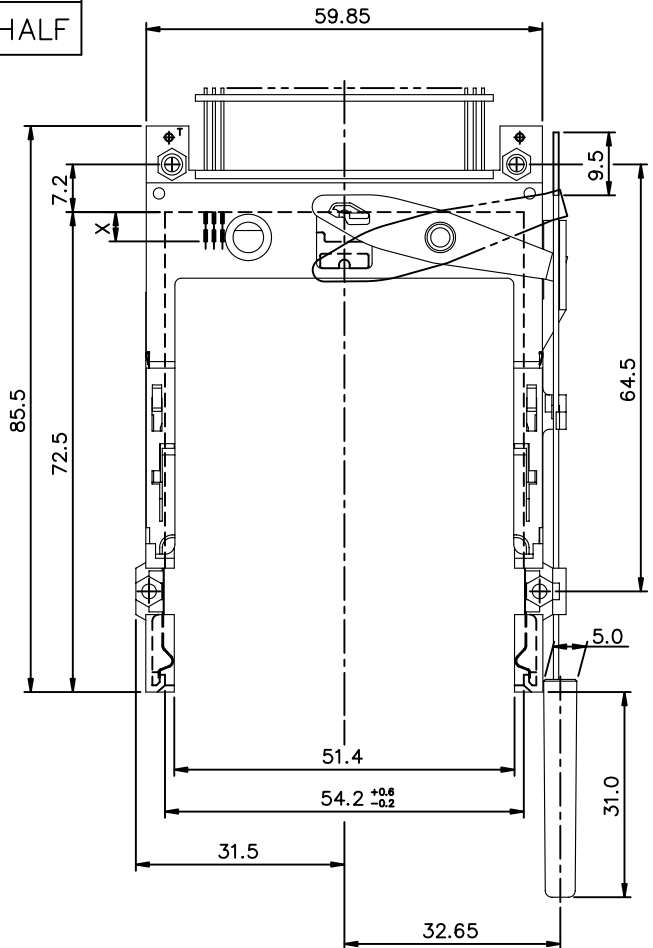
Tel: +86-755-8981 8866 Fax: +86-755-8427 6832

Email & Skype: info@chipsmall.com Web: www.chipsmall.com

Address: A1208, Overseas Decoration Building, #122 Zhenhua RD., Futian, Shenzhen, China



PRODUCT NO.
52224-055HA
52224-055HALF



NOTES:

- 8mm MIN. CARD EJECT.
- EJECT TRAVEL: 9.5mm
- MATERIAL
 - HEADER ASS'Y
PLASTIC : HOUSING ...LCP UL94V-O BLACK
PIN : PHOSPHOR BRONZE
PCB : FR4
 - EJECT MECHANISM ASS'Y
PLASTIC : GUIDE: POLYPHTHARAMID UL94V-O BLACK
: PUSH BUTTON: POLYPHTHARAMID UL94V-O BLACK
PLATE : STAINLESS
EMI CONTACT: PHOSPHOR BRONZE
- FINISH (PIN)
 - UNDER PLATING : 0.5 um MIN. Ni
 - CONTACT AREA : 0.1 um MIN. GOLD OVER
 - 0.5 um MIN. Pd-Ni
 - SOLDER TAIL : 2.5 um MIN. Sn-Pb (TIN LEAD OPTION)
 - SOLDER TAIL : 2.5 um MIN. PURE TIN (LEAD FREE OPTION)
- PUSH ROD LOCATION AND P.C.B. SIDE ARE AS APPEARS INSTALLED.
- DIM "X"

4.25±0.1	3.5±0.1	5.0±0.1
OTHERS	36,67	1,17,34,35,51,68
- IF LEAD FREE P/N. THE HOUSING WILL WITHSTAND EXPOSURE TO 260°C PEAK TEMPERATURE FOR 10 SECONDS IN A WAVE SOLDER APPLICATION WITH A 1.00MM MINIMUM THICK CIRCUIT BOARD.
- LEAD FREE PRODUCT MEETS EUROPEAN UNION DIRECTIVES AND OTHER COUNTRY REGULATIONS AS DESCRIBED IN GS-22-008
- IF LEAD FREE P/N. PACKAGING MEETS GS-14-920 SPECIFICATION

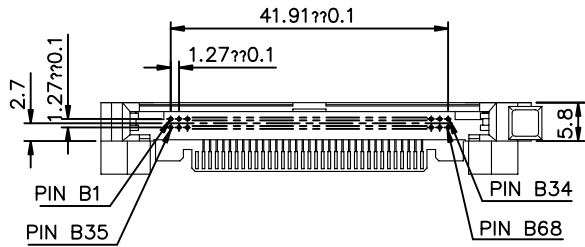
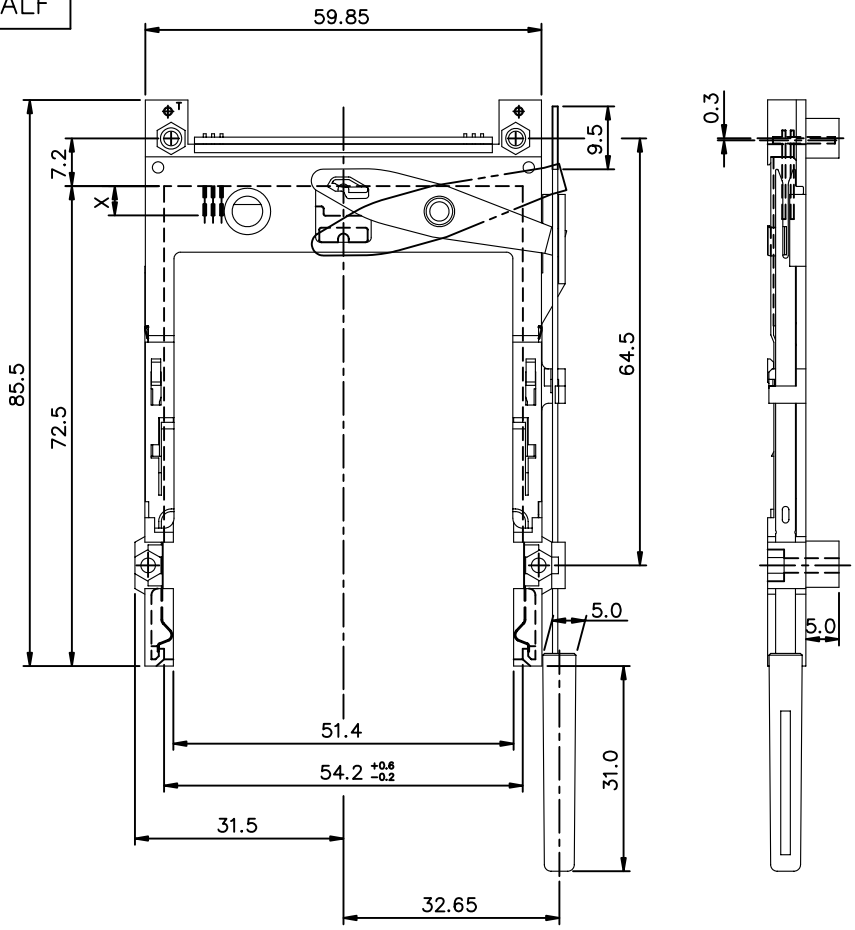
mat'l code		tolerance unless otherwise specified		CUSTOMER COPY		FCI www.fciconnect.com	
rev.	ecn no.	dr	date	linear	± 0.30	projection	title
A	T90060	WL	02/10/99				EJECTOR HEADER ASS'Y
B	T20166	WL	05/30/02				68POS. FOR TYP 1/2/3
C	N05-0119	WB	04/27/05	angles	± 2°		
		dr	WENDY CHEN	02/02/99	unit	product family PCMCIA code	
		enr	LEIF SHEN	02/02/99	mm/inch	size dwg no.	
		chr	JOSEPH HSIA	02/02/99	scale	A3 52224	
		appd	JENN TSAO	02/02/99		sheet 1 of 4	
sheet	revision	C	B	B	B		
index	sheet	1	2	3	4		

Tous droits strictement réservés. Reproduction ou communication à des tiers sans autorisation écrite du propriétaire. BERG ELECTRONICS. Droits de reproduction BERG ELECTRONICS by
 All rights strictly reserved. Reproduction or issue to third parties in any form without written authority from the proprietor. BERG ELECTRONICS. Copyright BERG ELECTRONICS by

Tous droits strictement réservés. Reproduction ou communication à des tiers interdite sans autorisation écrite du propriétaire.
 Berg Electronics Inc.
 Droits de reproduction BERG ELECTRONICS by

All rights strictly reserved. Reproduction or issue to third parties in any form without written authority from the proprietor.
 Berg Electronics Inc.
 Copyright BERG ELECTRONICS by


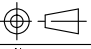
PRODUCT NO.
52224-050HA
52224-050HALF



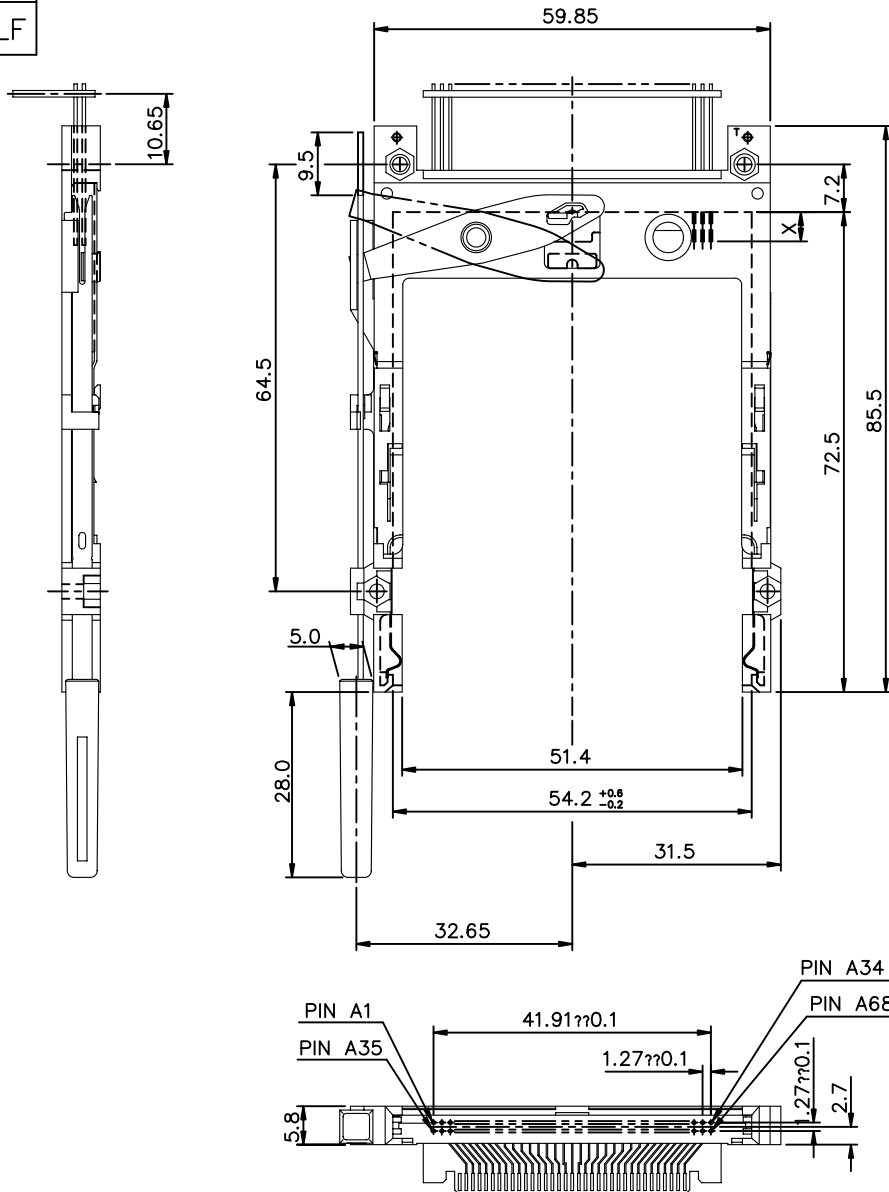
NOTES:

- 8mm MIN. CARD EJECT.
- EJECT TRAVEL: 9.5mm
- MATERIAL
 - HEADER ASS'Y
 PLASTIC : HOUSING ...LCP UL94V-0 BLACK
 PIN : PHOSPHOR BRONZE
 PCB : FR4
 - EJECT MECHANISM ASS'Y
 PLASTIC : GUIDE: POLYPHTHARAMID UL94V-0 BLACK
 : PUSH BUTTON: POLYPHTHARAMID UL94V-0 BLACK
 PLATE : STAINLESS
 EMI CONTACT: PHOSPHOR BRONZE
- FINISH (PIN)
 - UNDER PLATING : 0.5 um MIN. Ni
 - CONTACT AREA : 0.1 um MIN. GOLD OVER
 - 0.5 um MIN. Pd-Ni
 - SOLDER TAIL : 2.5 um MIN. Sn-Pb (TIN LEAD OPTION)
 - SOLDER TAIL : 2.5 um MIN. PURE TIN (LEAD FREE OPTION)
- PUSH ROD LOCATION AND P.C.B. SIDE ARE AS APPEARS INSTALLED.
- DIM "X"

4.25±0.1	3.5±0.1	5.0±0.1
OTHERS	36,67	1,17,34,35,51,68
- IF LEAD FREE P/N. THE HOUSING WILL WITHSTAND EXPOSURE TO 260°C PEAK TEMPERATURE FOR 10 SECONDS IN A WAVE SOLDER APPLICATION WITH A 1.00MM MINIMUM THICK CIRCUIT BOARD.
- LEAD FREE PRODUCT MEETS EUROPEAN UNION DIRECTIVES AND OTHER COUNTRY REGULATIONS AS DESCRIBED IN GS-22-008
- IF LEAD FREE P/N. PACKAGING MEETS GS-14-920 SPECIFICATION

mat'l code		tolerance unless otherwise specified		CUSTOMER COPY		 www.fciconnect.com	
rev.	ecn no.	dr	date	linear	± 0.30	projection	title
C							EJECTOR HEADER ASS'Y 68POS. FOR TYP 1/2/3
				angles	± 2°		
		dr	WENDY CHEN	02/02/99	unit	product family PCMCIA	
		enr	LEIF SHEN	02/02/99	mm/inch	code	
		chr	JOSEPH HSIA	02/02/99	scale	size	dwg no.
		appd	JENN TSAO	02/02/99	1.2:1	A3	52224
sheet	revision						sheet
index	sheet						2 of


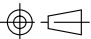
PRODUCT NO.
52224-125JA
52224-125JALF



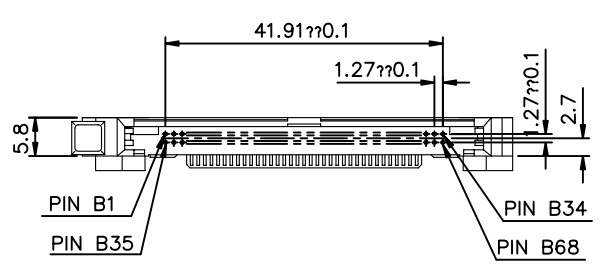
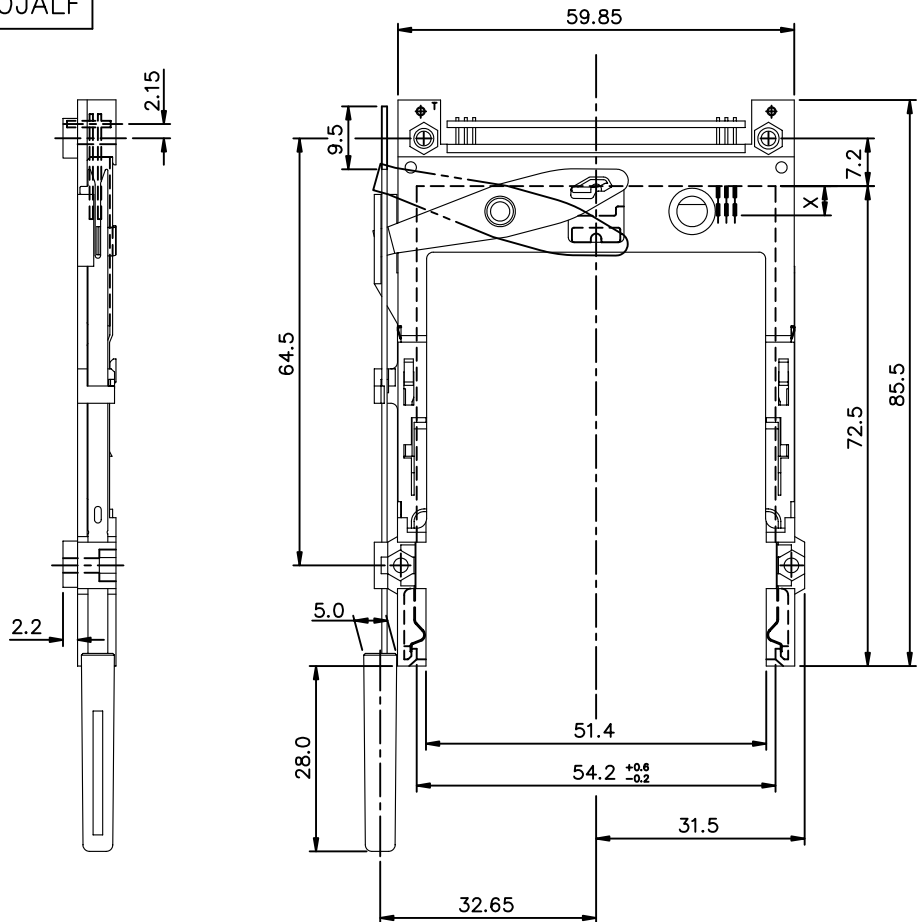
NOTES:

- 8mm MIN. CARD EJECT.
- EJECT TRAVEL: 9.5mm
- MATERIAL
 - HEADER ASS'Y
 - PLASTIC : HOUSING ...LCP UL94V-0 BLACK
 - PIN : PHOSPHOR BRONZE
 - PCB : FR4
 - EJECT MECHANISM ASS'Y
 - PLASTIC : GUIDE: POLYPHTHARAMID UL94V-0 BLACK
 - : PUSH BUTTON: POLYPHTHARAMID UL94V-0 BLACK
 - PLATE : STAINLESS
 - EMI CONTACT: PHOSPHOR BRONZE
- FINISH (PIN)
 - UNDER PLATING : 0.5 um MIN. Ni
 - CONTACT AREA : 0.1 um MIN. GOLD OVER
 - 0.5 um MIN. Pd-Ni
 - SOLDER TAIL : 2.5 um MIN. Sn-Pb (TIN LEAD OPTION)
 - SOLDER TAIL : 2.5 um MIN. PURE TIN (LEAD FREE OPTION)
- PUSH ROD LOCATION AND P.C.B. SIDE ARE AS APPEARS INSTALLED.
- DIM "X"

4.25±0.1	3.5±0.1	5.0±0.1
OTHERS	36,67	1,17,34,35,51,68
- IF LEAD FREE P/N. THE HOUSING WILL WITHSTAND EXPOSURE TO 260°C PEAK TEMPERATURE FOR 10 SECONDS IN A WAVE SOLDER APPLICATION WITH A 1.00MM MINIMUM THICK CIRCUIT BOARD.
- LEAD FREE PRODUCT MEETS EUROPEAN UNION DIRECTIVES AND OTHER COUNTRY REGULATIONS AS DESCRIBED IN GS-22-008
- IF LEAD FREE P/N. PACKAGING MEETS GS-14-920 SPECIFICATION


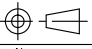
mat'l code		tolerance unless otherwise specified		CUSTOMER COPY		 www.fciconnect.com	
rev.	ecn no.	dr	date	linear	± 0.30	projection	title
C				angles	± 2°		EJECTOR HEADER ASS'Y 68POS. FOR TYP 1/2/3
		dr	WENDY CHEN	02/02/99	unit	product family PCMCIA	
		enr	LEIF SHEN	02/02/99	mm/inch	code	
		chr	JOSEPH HSIA	02/02/99	scale	size	dwg no.
		appd	JENN TSAO	02/02/99	1.2:1	A3	52224
sheet	revision						
index	sheet						sheet 3 of

PRODUCT NO.
52224-120JA
52224-120JALF



- NOTES:
- 8mm MIN. CARD EJECT.
 - EJECT TRAVEL: 9.5mm
 - MATERIAL
 - HEADER ASS'Y
 - PLASTIC : HOUSING ...LCP UL94V-0 BLACK
 - PIN : PHOSPHOR BRONZE
 - PCB : FR4
 - EJECT MECHANISM ASS'Y
 - PLASTIC : GUIDE: POLYPHTHARAMID UL94V-0 BLACK
 - : PUSH BUTTON: POLYPHTHARAMID UL94V-0 BLACK
 - PLATE : STAINLESS
 - EMI CONTACT: PHOSPHOR BRONZE
 - FINISH (PIN)
 - UNDER PLATING : 0.5 um MIN. Ni
 - CONTACT AREA : 0.1 um MIN. GOLD OVER
 - 0.5 um MIN. Pd-Ni
 - SOLDER TAIL : 2.5 um MIN. Sn-Pb (TIN LEAD OPTION)
 - SOLDER TAIL : 2.5 um MIN. PURE TIN (LEAD FREE OPTION)
 - PUSH ROD LOCATION AND P.C.B. SIDE ARE AS APPEARS INSTALLED.
 - DIM "X"

4.25±0.1	3.5±0.1	5.0±0.1
OTHERS	36,67	1,17,34,35,51,68
 - IF LEAD FREE P/N. THE HOUSING WILL WITHSTAND EXPOSURE TO 260°C PEAK TEMPERATURE FOR 10 SECONDS IN A WAVE SOLDER APPLICATION WITH A 1.00MM MINIMUM THICK CIRCUIT BOARD.
 - LEAD FREE PRODUCT MEETS EUROPEAN UNION DIRECTIVES AND OTHER COUNTRY REGULATIONS AS DESCRIBED IN GS-22-008
 - IF LEAD FREE P/N. PACKAGING MEETS GS-14-920 SPECIFICATION

mat'l code		tolerance unless otherwise specified		CUSTOMER COPY		 www.fciconnect.com	
rev.	ecn no.	dr	date	linear	± 0.30	projection	title
C				angles	± 2°		EJECTOR HEADER ASS'Y 68POS. FOR TYP 1/2/3
		dr	WENDY CHEN	02/02/99	unit	product family	PCMCIA
		enr	LEIF SHEN	02/02/99	mm/inch	code	
		chr	JOSEPH HSIA	02/02/99	scale	size	dwg no.
		appd	JENN TSAO	02/02/99	1.2:1	A3	52224
sheet	revision						
index	sheet						sheet 4 of

Tous droits strictement reserves. Reproduction ou communication a des tiers int
 sans autorisation ecrite du proprietaire.
 Droits de reproduction BERG ELECTRONICS by
 A
 B
 C
 D
 All rights strictly reserved. Reproduction or issue to third parties in any for
 whenever is not permitted without written authority from the proprietor.
 Copyright BERG ELECTRONICS by
 A
 B
 C
 D