



Chipsmall Limited consists of a professional team with an average of over 10 year of expertise in the distribution of electronic components. Based in Hongkong, we have already established firm and mutual-benefit business relationships with customers from,Europe,America and south Asia,supplying obsolete and hard-to-find components to meet their specific needs.

With the principle of “Quality Parts,Customers Priority,Honest Operation,and Considerate Service”,our business mainly focus on the distribution of electronic components. Line cards we deal with include Microchip,ALPS,ROHM,Xilinx,Pulse,ON,Everlight and Freescale. Main products comprise IC,Modules,Potentiometer,IC Socket,Relay,Connector.Our parts cover such applications as commercial,industrial, and automotives areas.

We are looking forward to setting up business relationship with you and hope to provide you with the best service and solution. Let us make a better world for our industry!



## Contact us

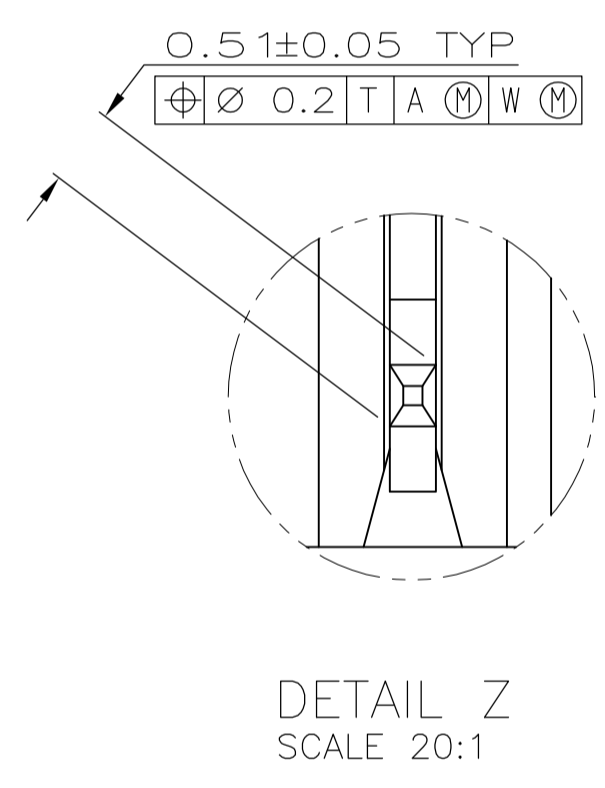
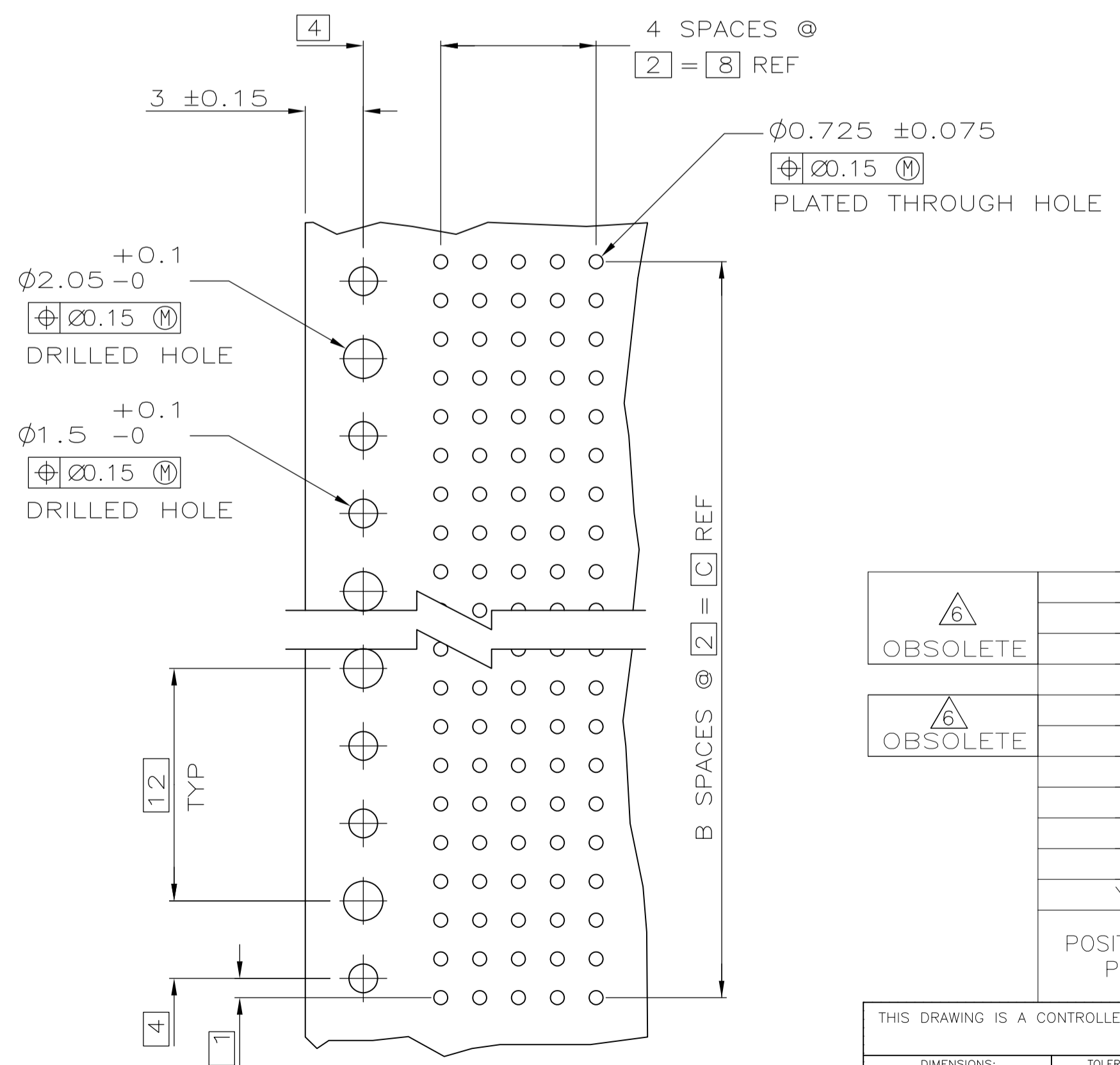
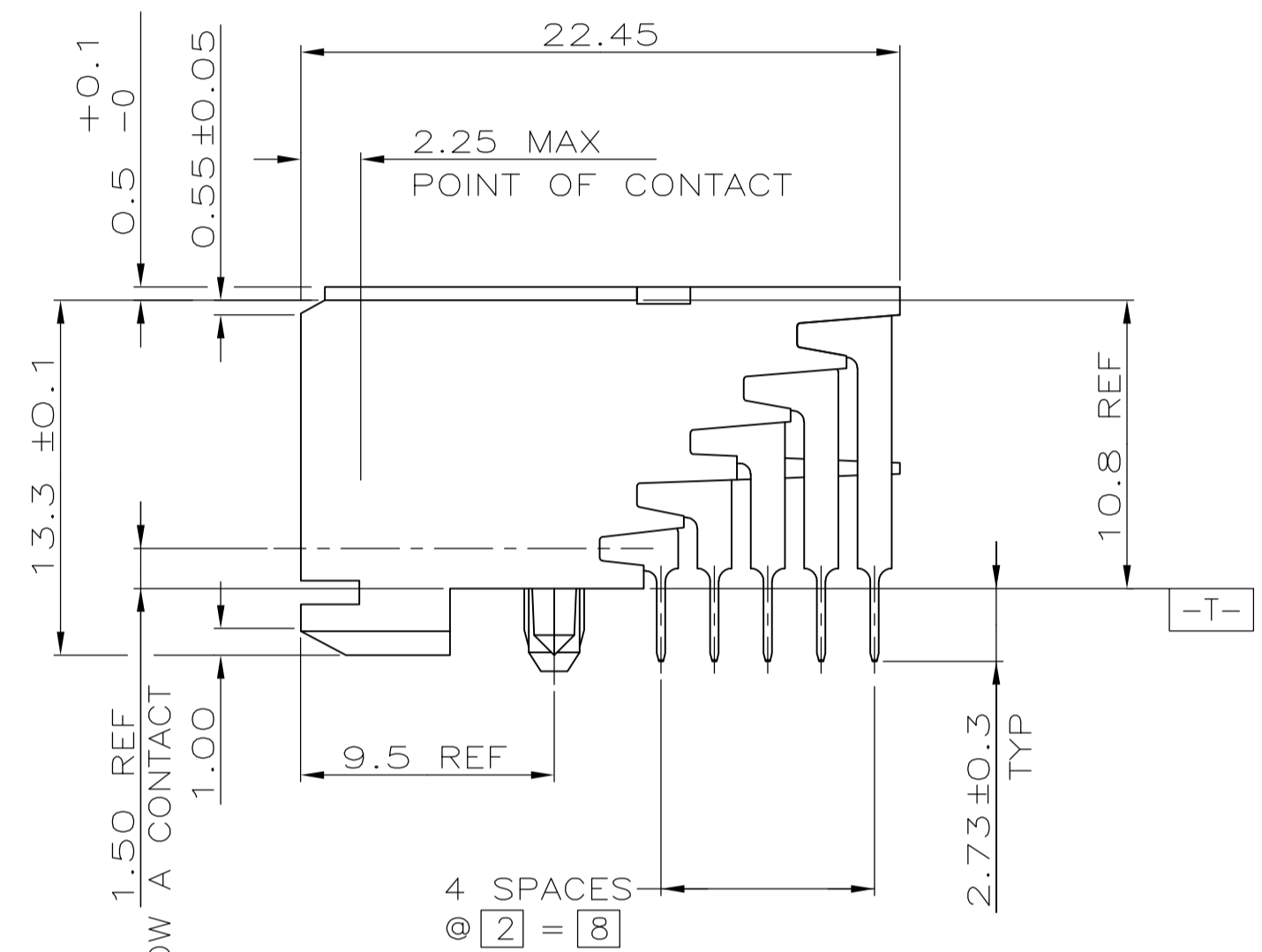
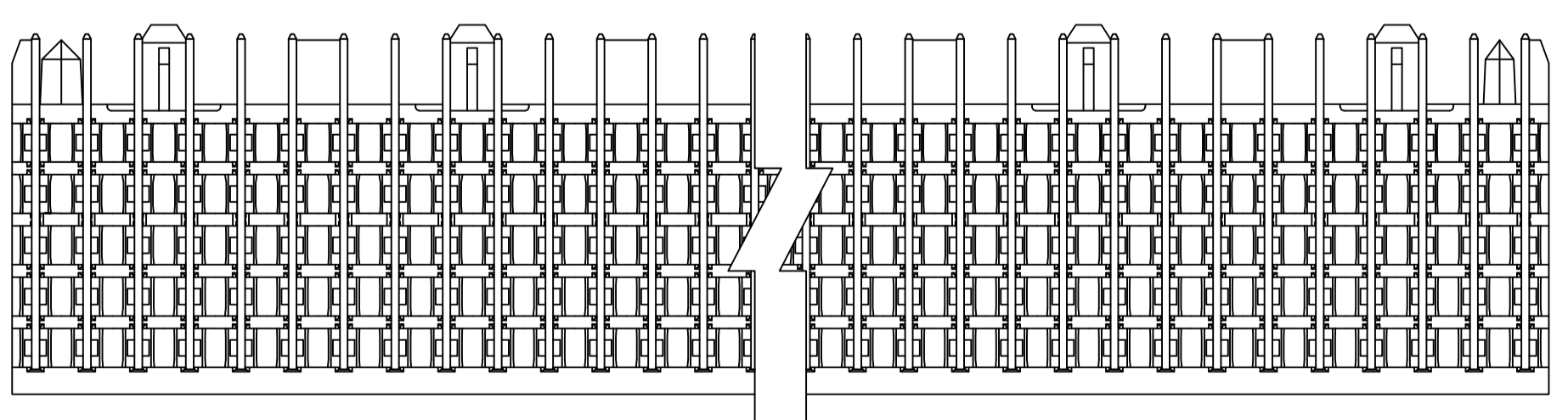
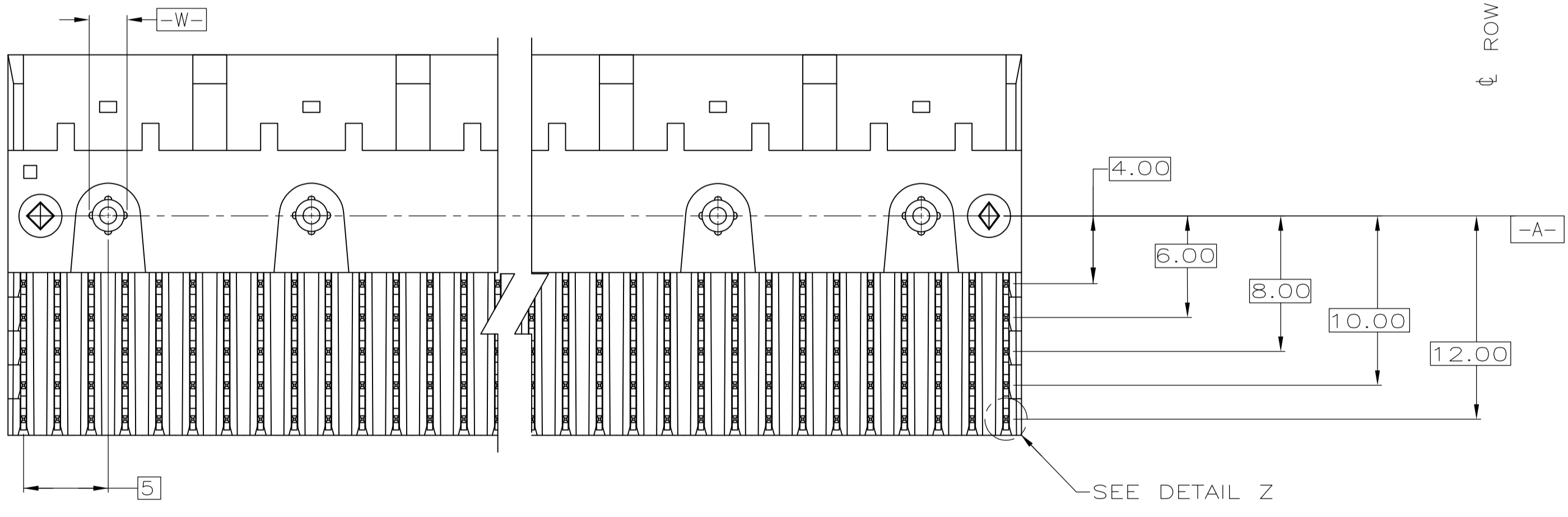
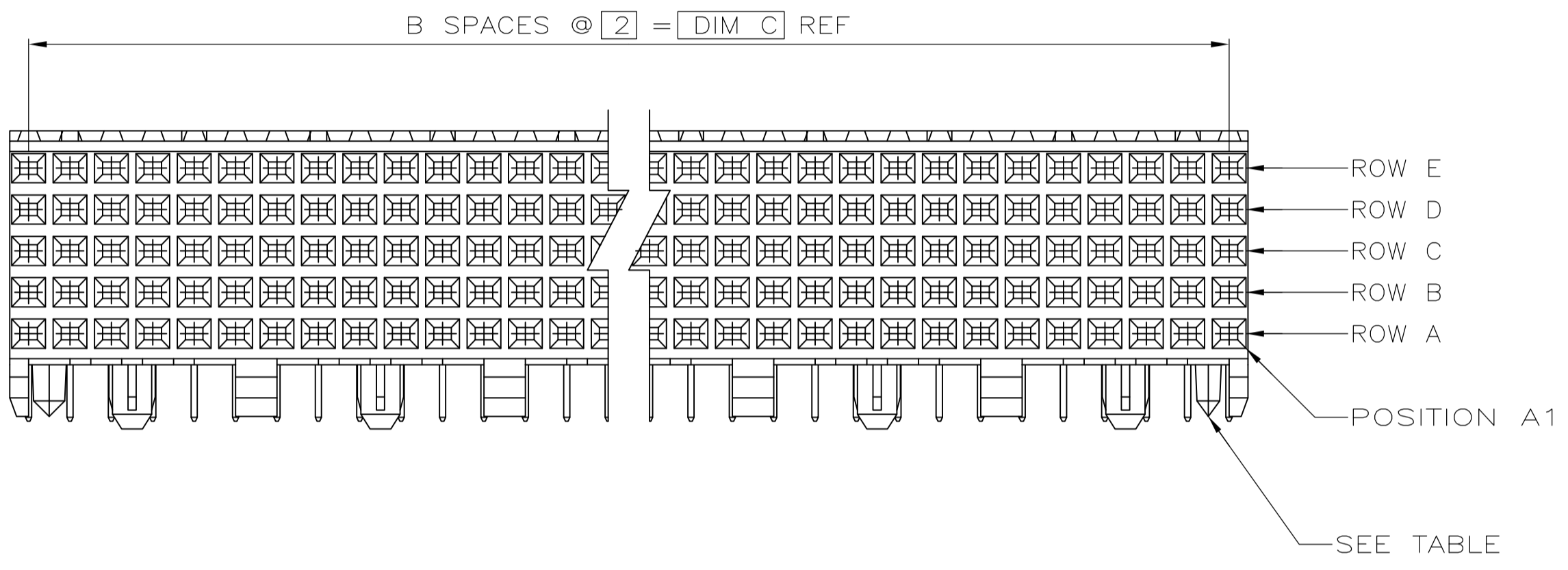
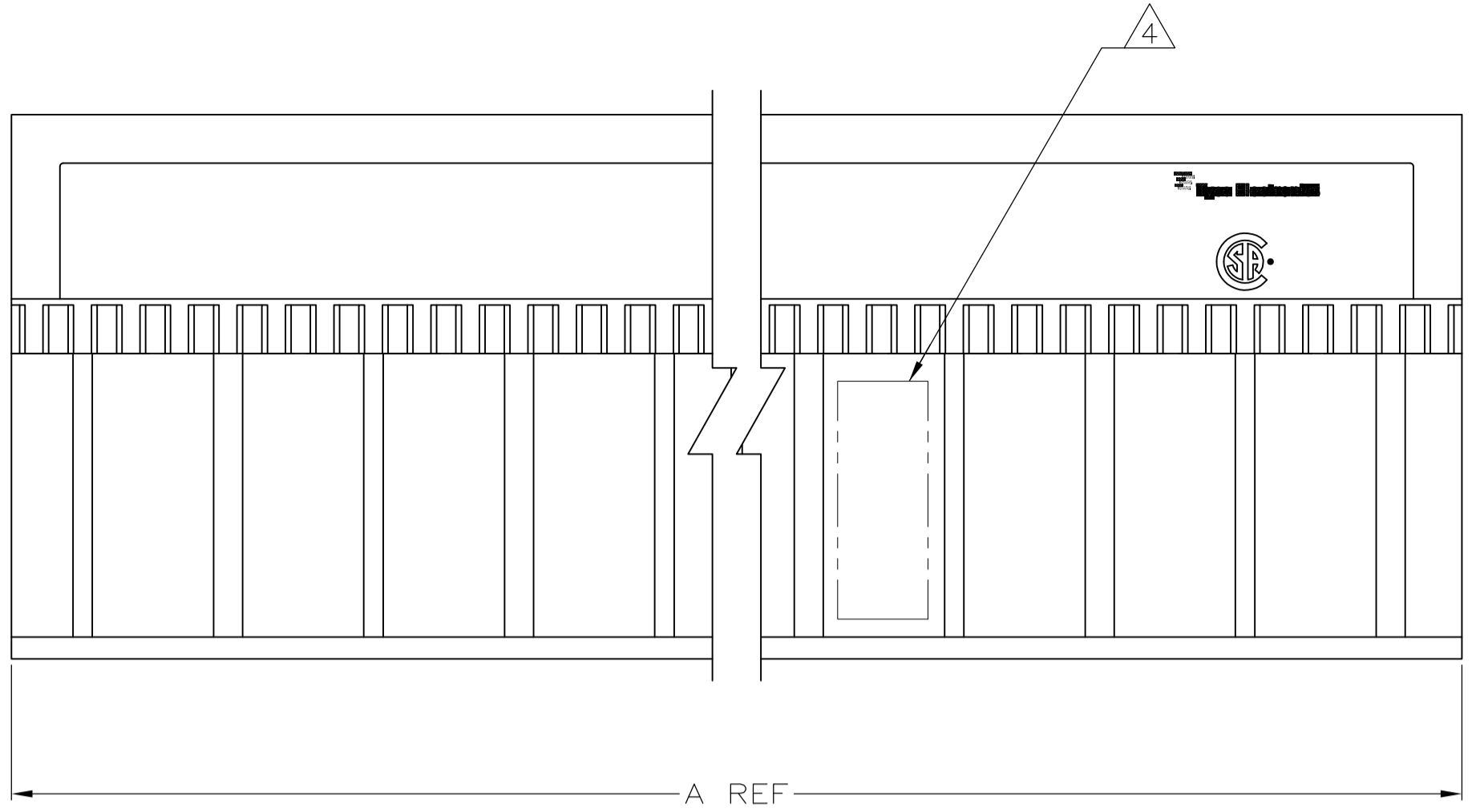
Tel: +86-755-8981 8866 Fax: +86-755-8427 6832

Email & Skype: info@chipsmall.com Web: www.chipsmall.com

Address: A1208, Overseas Decoration Building, #122 Zhenhua RD., Futian, Shenzhen, China



LOC		DIST		REVISIONS				
P	LTR	DESCRIPTION	DATE	DN	APVD			
01		REVISED PER ECO-08-009053	16APR08	DH	AS			
02		REVISED PER ECO-10-000444	20JAN10	KK	HMR			



- ① HOUSING MATERIAL: LIQUID CRYSTAL POLYMER  
COLOR: NATURAL.
- ② CONTACT MATERIAL: PHOSPHOR-BRONZE.
- ③ CONTACT FINISH:(A)  
UNDERPLATE (ENTIRE CONTACT):  
0.00127 MIN NICKEL PER SAE-AMS-QQ-N-290  
ON MATING SURFACES:  
CONFORMS TO ALL TESTING SPECIFIED FOR TELCORDIA  
UNCONTROLLED ENVIRONMENT.  
ON LEADS:  
0.00381 MIN MATTE TIN PER ASTM B 545 OVER UNDERPLATE.  
LUBRICATION (MIN MATING SURFACES):  
SURFACE CONDITIONER AFTER PLATING.
- ④ PART MARKING LOCATED APPROXIMATELY AS SHOWN.
- ⑥ OBSOLETE PARTS: OBSOLETE CIS STREAMLINING PER D.RENAUD/D.SINISI

RECOMMENDED CIRCUIT PATTERN  
 PER IPC-D300 TYPE II, CLASS C  
 (COMPONENT SIDE)

	NO	130	65	131.88	330	-1-5223004-1
OBSOLETE	NO	118	59	119.88	300	-1-5223004-0
	NO	106	53	107.88	270	-5223004-9-
	NO	94	47	95.88	240	5223004-8
OBSOLETE	NO	82	41	83.88	210	-5223004-7-
	NO	70	35	71.88	180	-5223004-6-
	NO	58	29	59.88	150	5223004-5
	NO	46	23	47.88	120	5223004-4
	NO	34	17	35.88	90	5223004-3
	NO	22	11	23.88	60	5223004-2
	YES	10	3	11.88	30	5223004-1
POSITIONING PEGS	C	B	A	NO OF SIGNAL POSN	PART NUMBER	

THIS DRAWING IS A CONTROLLED DOCUMENT.

DIMENSIONS: mm	TOLERANCES UNLESS OTHERWISE SPECIFIED:	0 PLC ± -	1 PLC ± -	2 PLC ± 0.13	3 PLC ± -	4 PLC ± -	ANGLES ± -
----------------	--	-----------	-----------	--------------	-----------	-----------	------------

MATERIAL: ① ② FINISH: ③ ⑤

THIS DRAWING IS A CONTROLLED DOCUMENT. DIB: B.MCMMASTER 19NOV04, CIK: R.WERTZ 19NOV04, APVD: R.WERTZ 19NOV04, NAME: R.WERTZ 19NOV04

Tyco Electronics Corporation, Harrisburg, Pa 17105-3608

ASSEMBLY, RECEPTACLE, SIGNAL, RIGHT ANGLE, Z-PACK 2mm FB, 5 ROW, SOLDER LEAD

SIZE: A1, CAGE CODE: 00779, DRAWING NO: 5223004, WEIGHT: -

CUSTOMER DRAWING, SCALE: 4:1, SHEET: 1 OF 1, REV: 02