



Chipsmall Limited consists of a professional team with an average of over 10 year of expertise in the distribution of electronic components. Based in Hongkong, we have already established firm and mutual-benefit business relationships with customers from,Europe,America and south Asia,supplying obsolete and hard-to-find components to meet their specific needs.

With the principle of “Quality Parts,Customers Priority,Honest Operation,and Considerate Service”,our business mainly focus on the distribution of electronic components. Line cards we deal with include Microchip,ALPS,ROHM,Xilinx,Pulse,ON,Everlight and Freescale. Main products comprise IC,Modules,Potentiometer,IC Socket,Relay,Connector.Our parts cover such applications as commercial,industrial, and automotives areas.

We are looking forward to setting up business relationship with you and hope to provide you with the best service and solution. Let us make a better world for our industry!



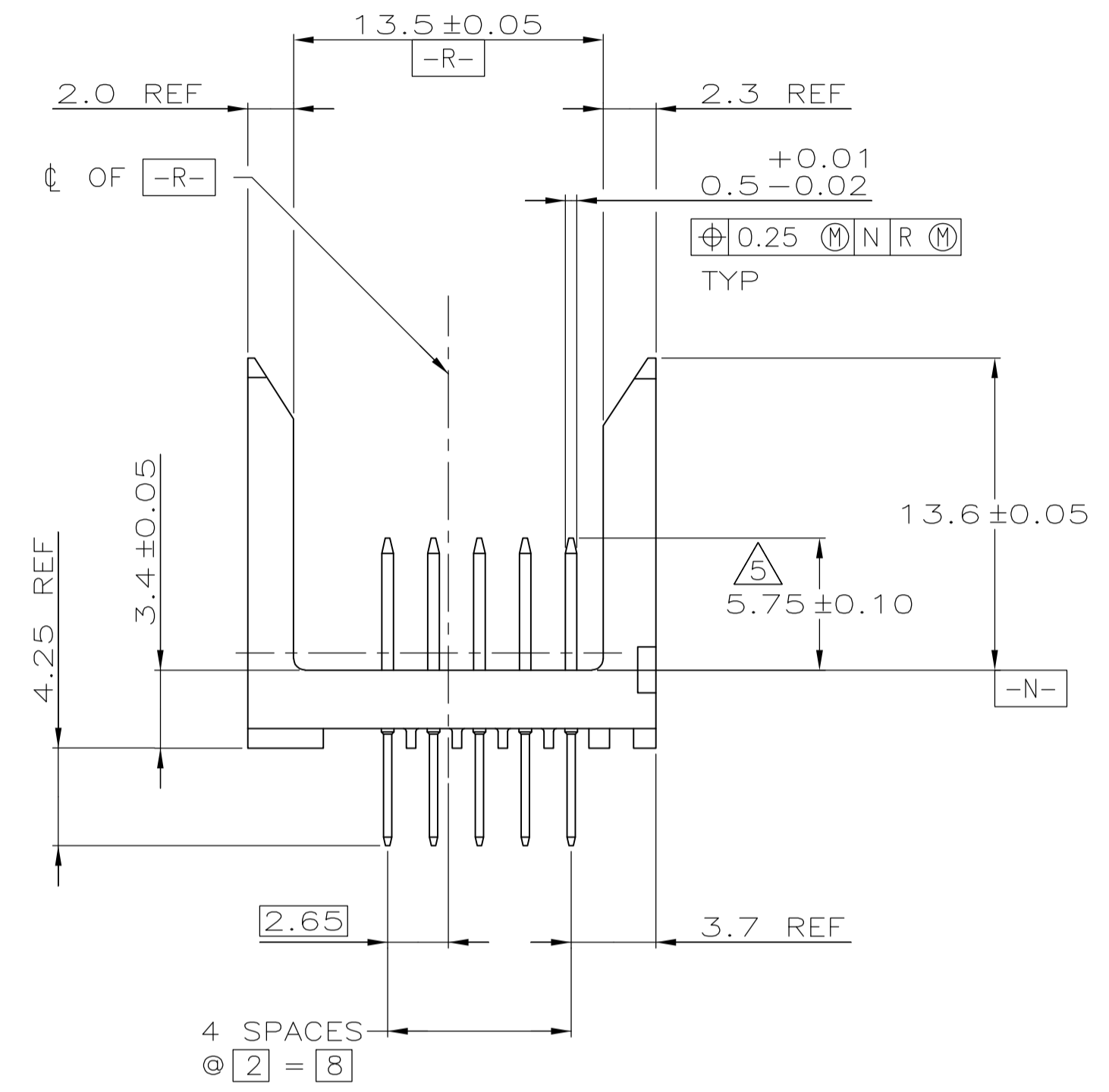
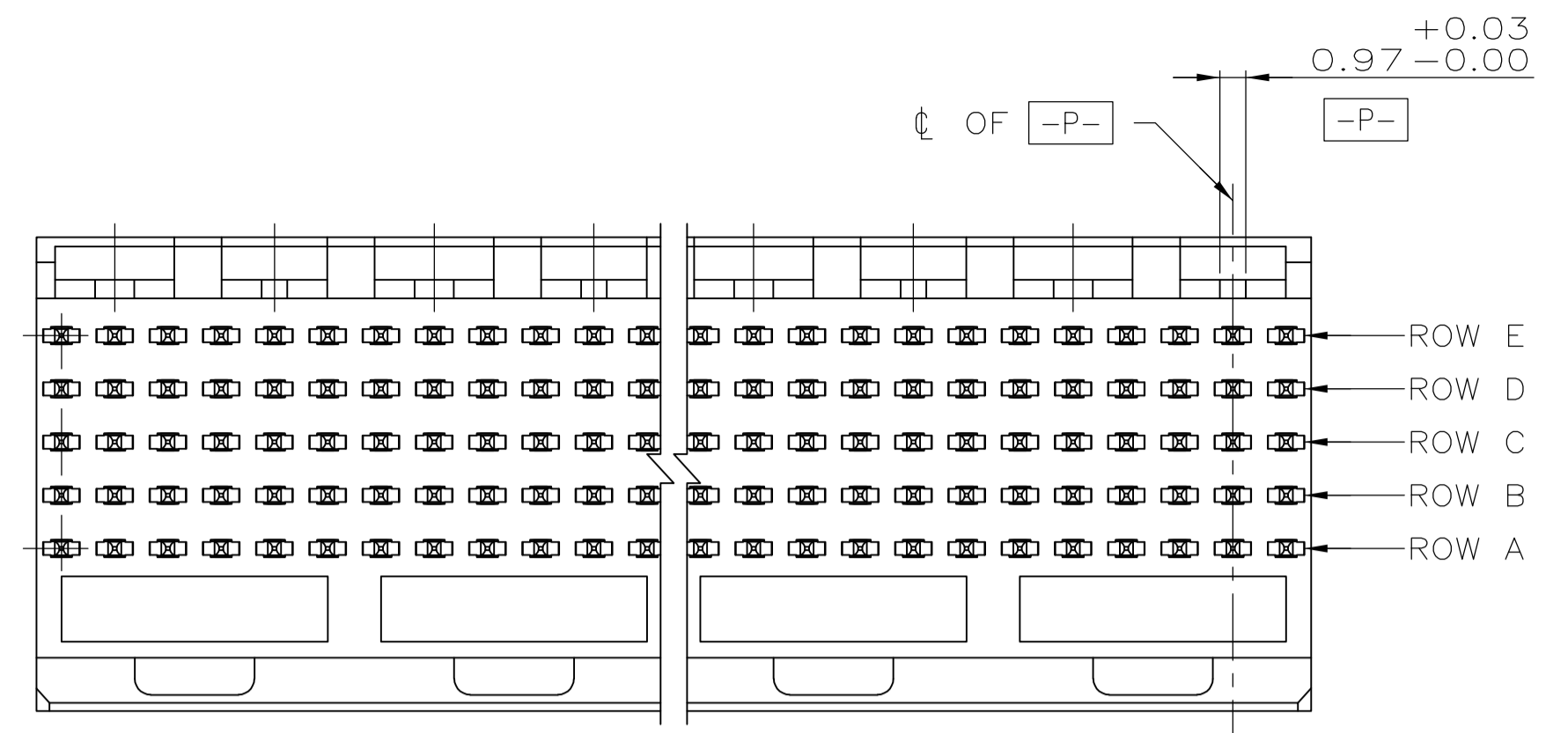
Contact us

Tel: +86-755-8981 8866 Fax: +86-755-8427 6832

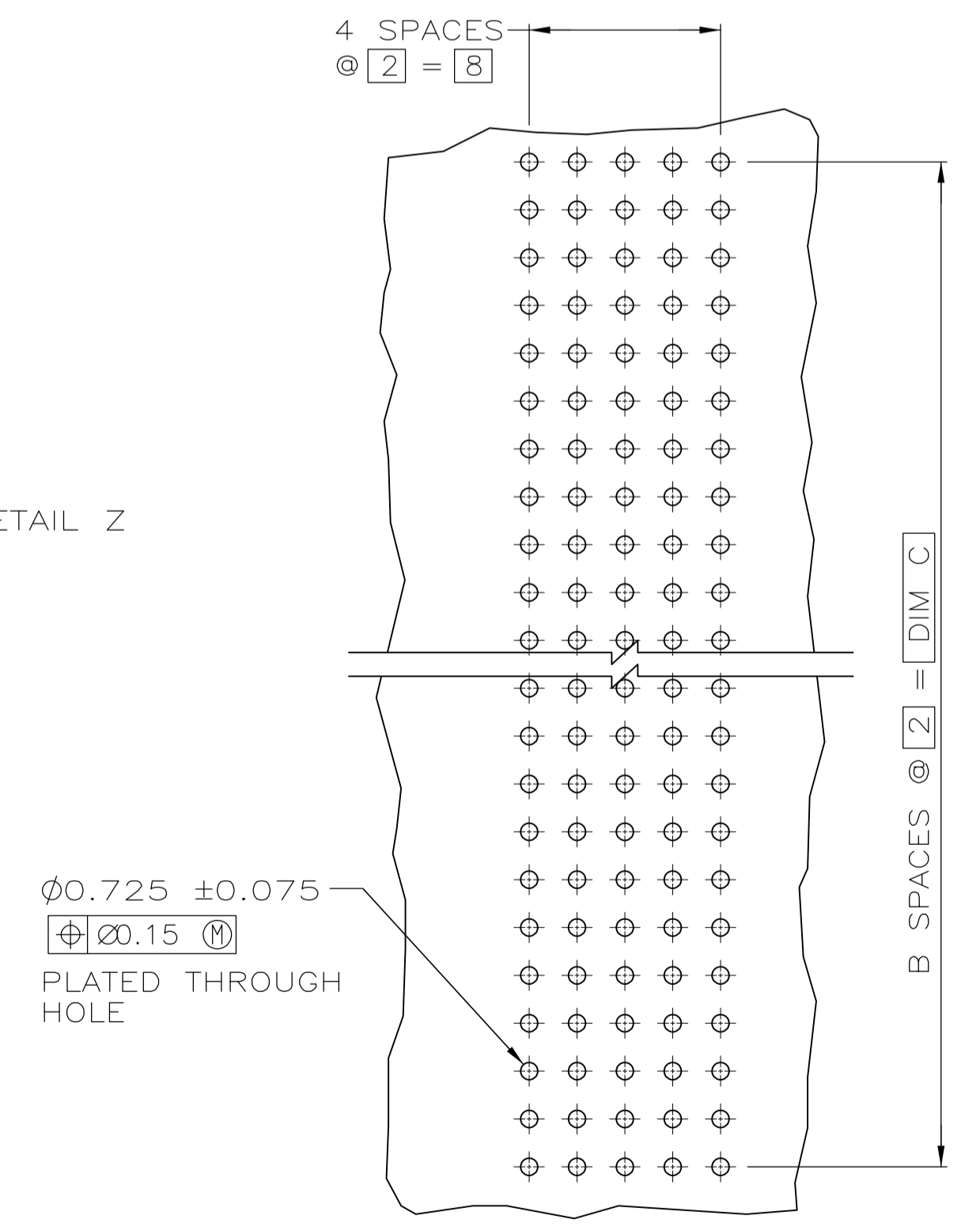
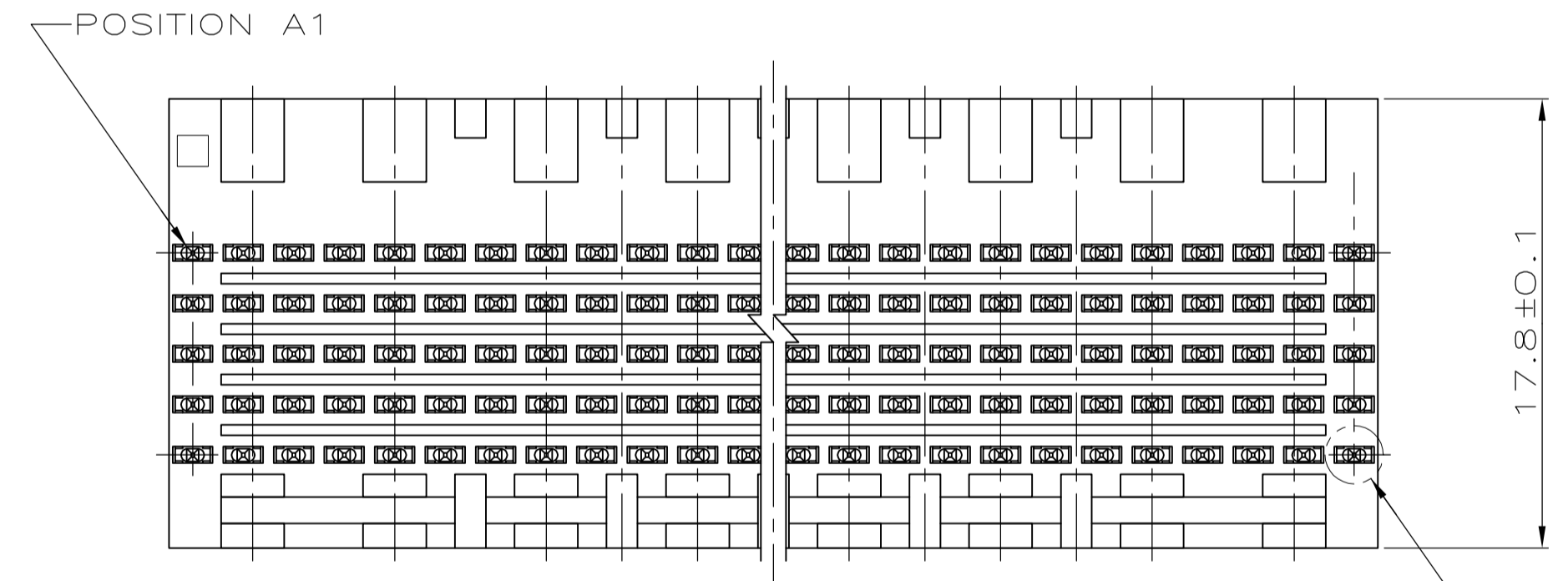
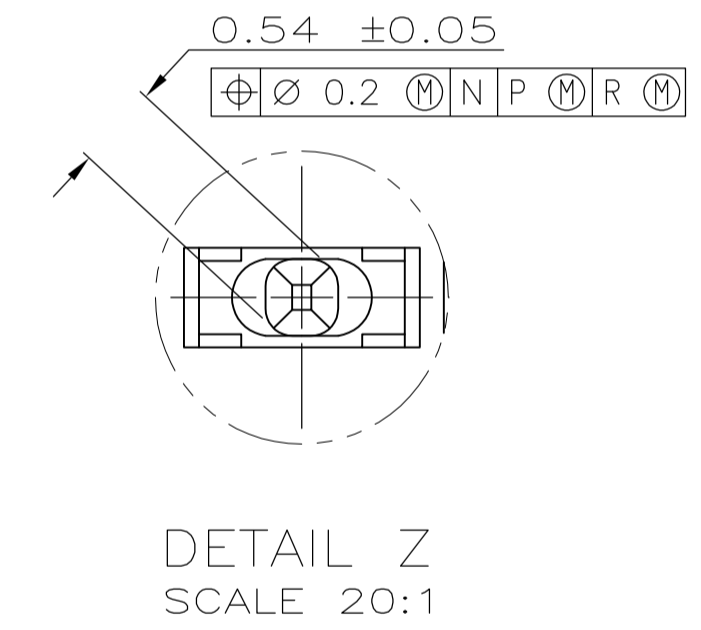
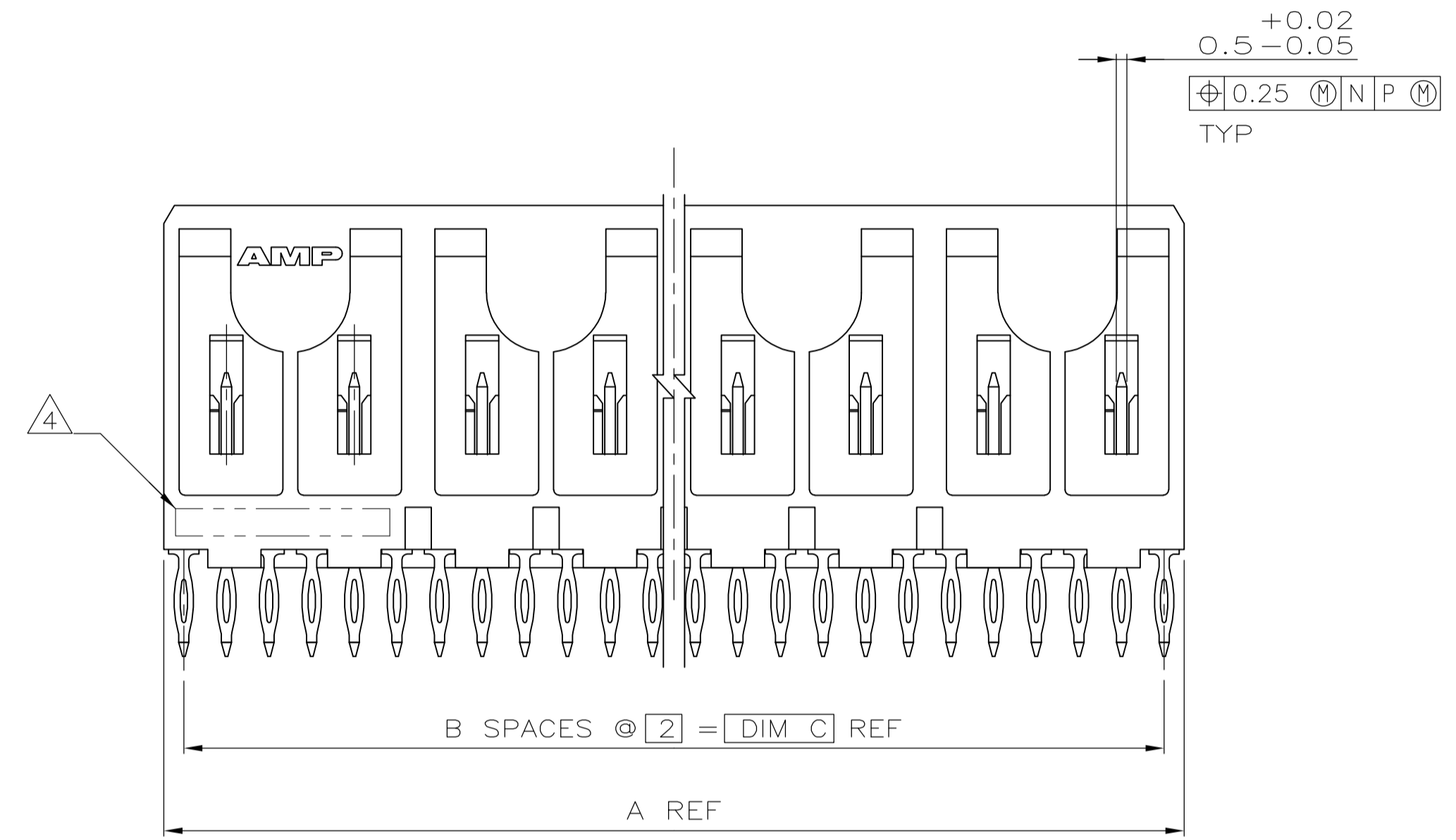
Email & Skype: info@chipsmall.com Web: www.chipsmall.com

Address: A1208, Overseas Decoration Building, #122 Zhenhua RD., Futian, Shenzhen, China





- 1 HOUSING MATERIAL: LIQUID CRYSTAL POLYMER
COLOR: NATURAL.
- 2 CONTACT MATERIAL: PHOSPHOR BRONZE
- 3 CONTACT FINISH:(B)
UNDERPLATE (ENTIRE CONTACT):
0.00127 MIN NICKEL PER SAE-AMS-QQ-N-290
ON MATING SURFACES:
CONFORMS TO ALL TESTING SPECIFIED FOR TELCORDIA
UNCONTROLLED ENVIRONMENT.
ON LEADS:
0.0006 MIN MATTE TIN PER ASTM B 545 OVER UNDERPLATE.
LUBRICATION (MIN MATING SURFACES):
SURFACE CONDITIONER AFTER PLATING.
- 4 PART MARKING LOCATED APPROXIMATELY AS SHOWN.
- 5 DIMENSION APPLIES WHEN SEATED ON PRINTED CIRCUIT BOARD.



OBSOLETE	260	130	131.88	330	1-5223016-1
OBSOLETE	118	59	119.88	300	1-5223016-0
OBSOLETE	106	53	107.88	270	5223016-9
	94	47	95.88	240	5223016-8
OBSOLETE	82	41	83.88	210	5223016-7
OBSOLETE	140	70	71.88	180	5223016-6
	58	29	59.88	150	5223016-5
	46	23	47.88	120	5223016-4
	34	17	35.88	90	5223016-3
	22	11	23.88	60	5223016-2
	10	5	11.88	30	5223016-1
	C	B	A	NO OF SIGNAL POSN	PART NUMBER

THIS DRAWING IS A CONTROLLED DOCUMENT.

DIMENSIONS:	TOLERANCES UNLESS OTHERWISE SPECIFIED:	DIN B MCMMASTER 22NOV04	Tyco Electronics Corporation
mm	0 PLC \pm -	CHK R WERTZ 22NOV04	Harrisburg, Pa 17105-3608
	1 PLC \pm -	APP'D R WERTZ 22NOV04	NAME ASSEMBLY, PIN, SIGNAL, VERTICAL, Z-PACK 2mm FB, 5 ROW, PRESS FIT LEADS
	2 PLC \pm 0.13	PRODUCT SPEC	SIZE CAGE CODE DRAWING NO
	3 PLC \pm -	APPLICATION SPEC	A1 00779 C=5223016
	4 PLC \pm -	RESTRICTED TO	WEIGHT
	ANGLES \pm -	CUSTOMER DRAWING	SCALE 4:1 SHEET 1 OF 1 REV 02