



Chipsmall Limited consists of a professional team with an average of over 10 year of expertise in the distribution of electronic components. Based in Hongkong, we have already established firm and mutual-benefit business relationships with customers from,Europe,America and south Asia,supplying obsolete and hard-to-find components to meet their specific needs.

With the principle of “Quality Parts,Customers Priority,Honest Operation,and Considerate Service”,our business mainly focus on the distribution of electronic components. Line cards we deal with include Microchip,ALPS,ROHM,Xilinx,Pulse,ON,Everlight and Freescale. Main products comprise IC,Modules,Potentiometer,IC Socket,Relay,Connector.Our parts cover such applications as commercial,industrial, and automotives areas.

We are looking forward to setting up business relationship with you and hope to provide you with the best service and solution. Let us make a better world for our industry!



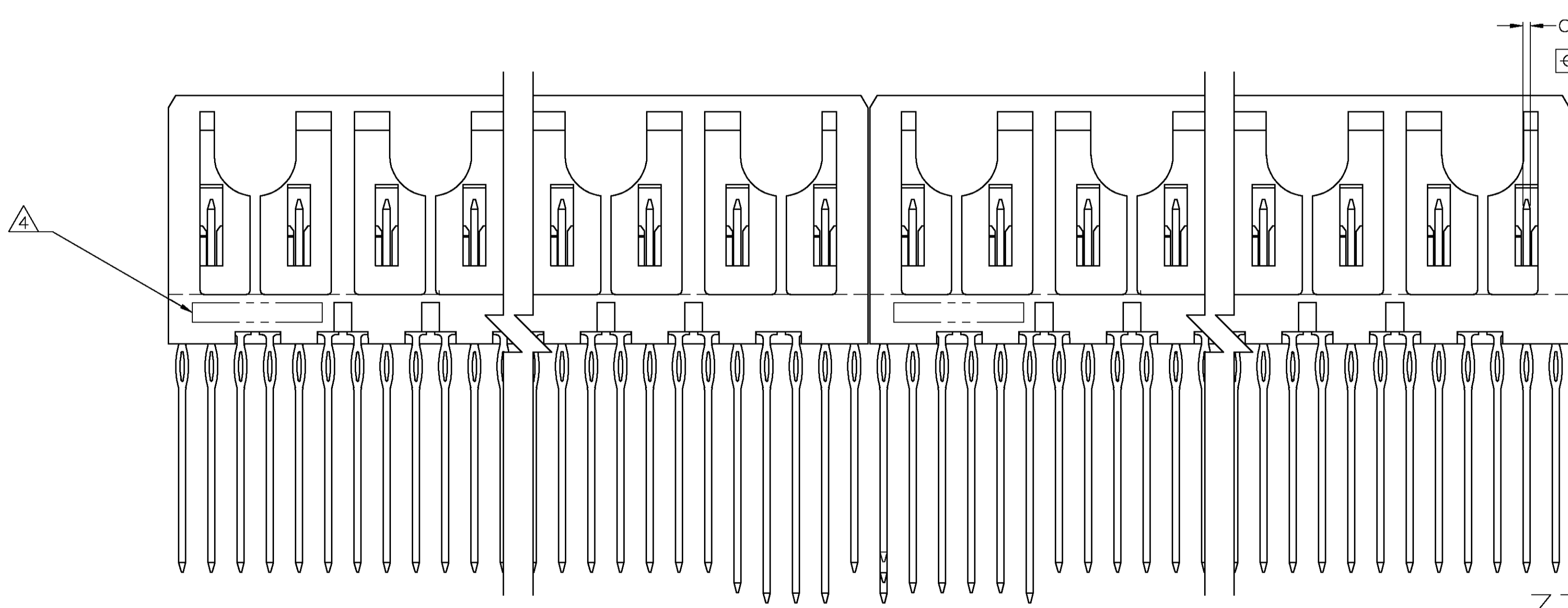
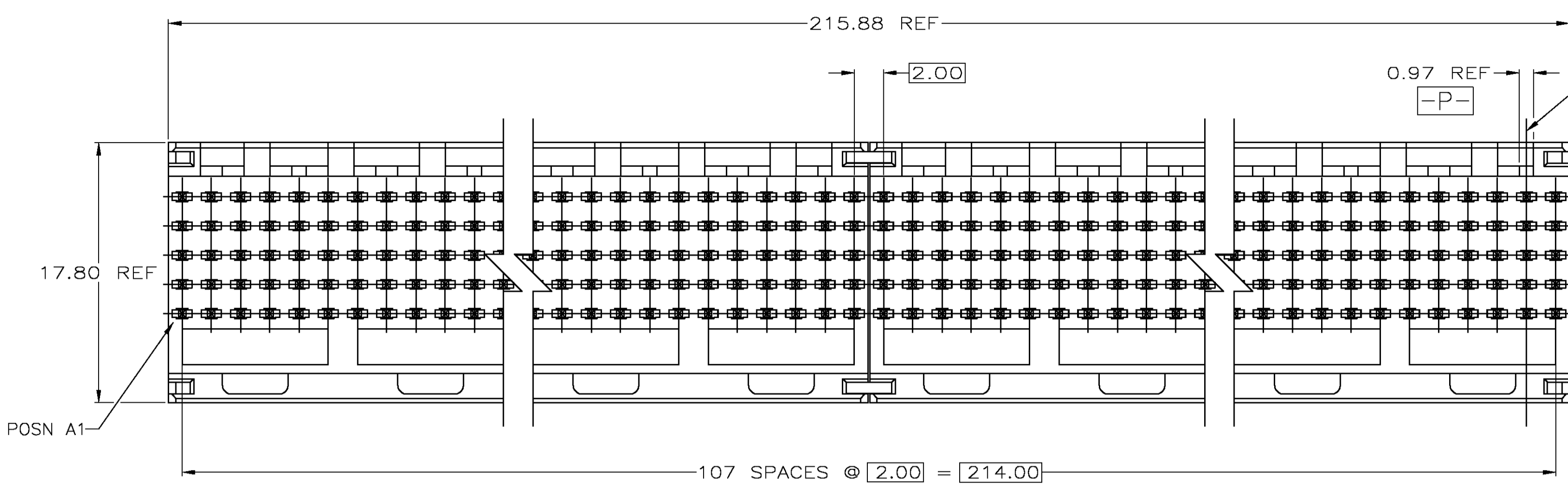
## Contact us

Tel: +86-755-8981 8866 Fax: +86-755-8427 6832

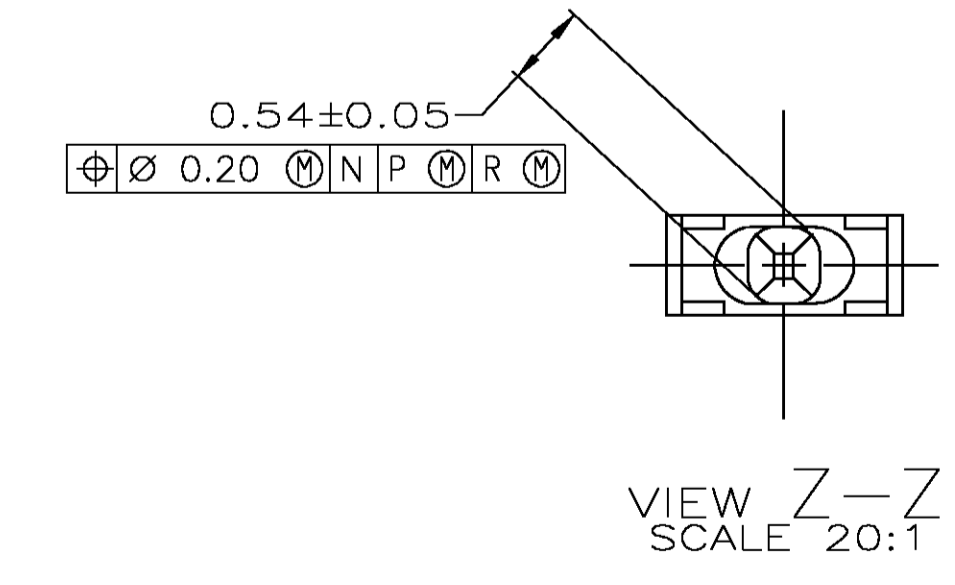
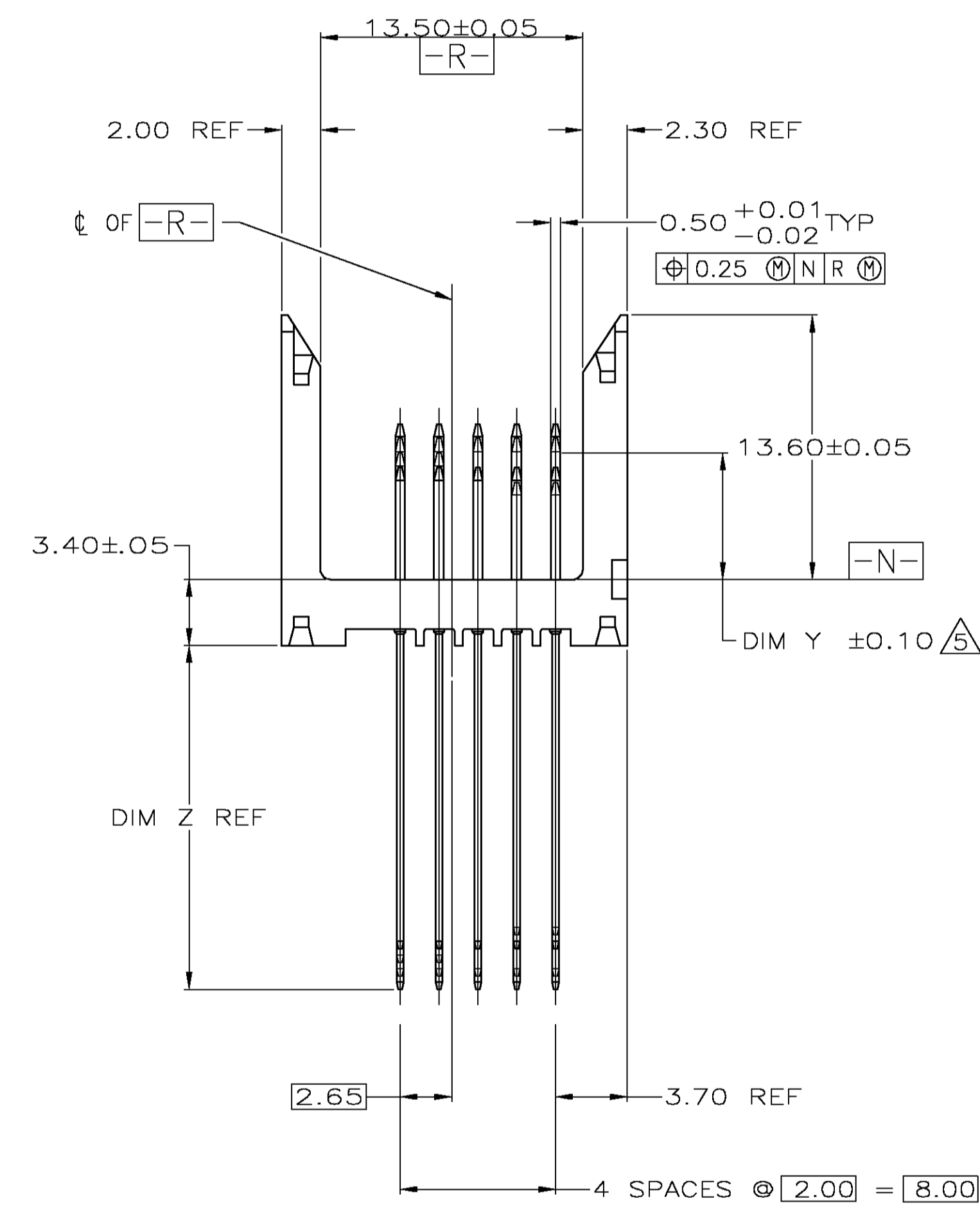
Email & Skype: info@chipsmall.com Web: www.chipsmall.com

Address: A1208, Overseas Decoration Building, #122 Zhenhua RD., Futian, Shenzhen, China

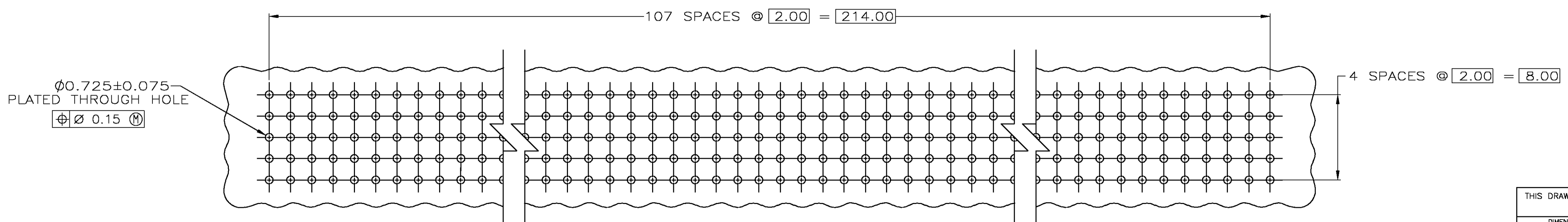




PART NUMBER 5223033-1 SHOWN



VIEW Z-Z  
SCALE 20:1



RECOMMENDED CIRCUIT PATTERN  
(COMPONENT SIDE)

- △ HOUSING MATERIAL: LIQUID CRYSTAL POLYMER, COLOR: NATURAL
- △ CONTACT MATERIAL: PHOSPHOR BRONZE.
- △ CONTACT FINISH:  
 UNDERPLATE (ENTIRE CONTACT):  
 0.00127 MIN NICKEL PER SAE-AMS-QQ-N-290  
 ON MATING SURFACES:  
 CONFORMS TO ALL TESTING SPECIFIED FOR TELCORDIA  
 UNCONTROLLED ENVIRONMENT.  
 ON LEADS:  
 0.0006 MIN MATTE TIN PER ASTM B 545 OVER UNDERPLATE.  
 LUBRICATION (MIN MATING SURFACES):  
 SURFACE CONDITIONER AFTER PLATING.
- △ PART MARKING LOCATED APPROXIMATELY AS SHOWN.
- △ DIMENSION APPLIES WHEN SEATED ON PRINTED CIRCUIT BOARD.
- △ SEE RESTRICTED CUSTOMER DRAWING.

SUPERSEDED BY 1705986-4	SEE SHEET 2	5223033-4
SUPERSEDED BY 1705986-1	SEE SHEET 2	5223033-1
	CONTACT LOAD PATTERN	PART NUMBER

THIS DRAWING IS A CONTROLLED DOCUMENT.		DIN B MCMMASTER 22NOV04	Tyco Electronics Corporation Harrisburg, Pa 17105-3608
DIMENSIONS: mm		22NOV04	
TOLERANCES UNLESS OTHERWISE SPECIFIED:		22NOV04	PIN ASSEMBLY, Z-PACK 2mm FB, SIGNAL, VERTICAL, 5 ROW, 540 POSITION, WITH PRESS FIT LEADS
0 PLC ± - 1 PLC ± - 2 PLC ± 0.13 3 PLC ± - 4 PLC ± - ANGLES ± -		NAME: R. WERTZ PRODUCT SPEC: APPLICATION SPEC: WEIGHT:	
MATERIAL: 1 2 3		FINISH: 3	SIZE: A1 CAGE CODE: 00779 DRAWING NO: 5223033 RESTRICTED TO:
CUSTOMER DRAWING		SCALE: 4:1	SHEET: 1 OF 2 REV: A

