



Chipsmall Limited consists of a professional team with an average of over 10 year of expertise in the distribution of electronic components. Based in Hongkong, we have already established firm and mutual-benefit business relationships with customers from,Europe,America and south Asia,supplying obsolete and hard-to-find components to meet their specific needs.

With the principle of “Quality Parts,Customers Priority,Honest Operation,and Considerate Service”,our business mainly focus on the distribution of electronic components. Line cards we deal with include Microchip,ALPS,ROHM,Xilinx,Pulse,ON,Everlight and Freescale. Main products comprise IC,Modules,Potentiometer,IC Socket,Relay,Connector.Our parts cover such applications as commercial,industrial, and automotives areas.

We are looking forward to setting up business relationship with you and hope to provide you with the best service and solution. Let us make a better world for our industry!



Contact us

Tel: +86-755-8981 8866 Fax: +86-755-8427 6832

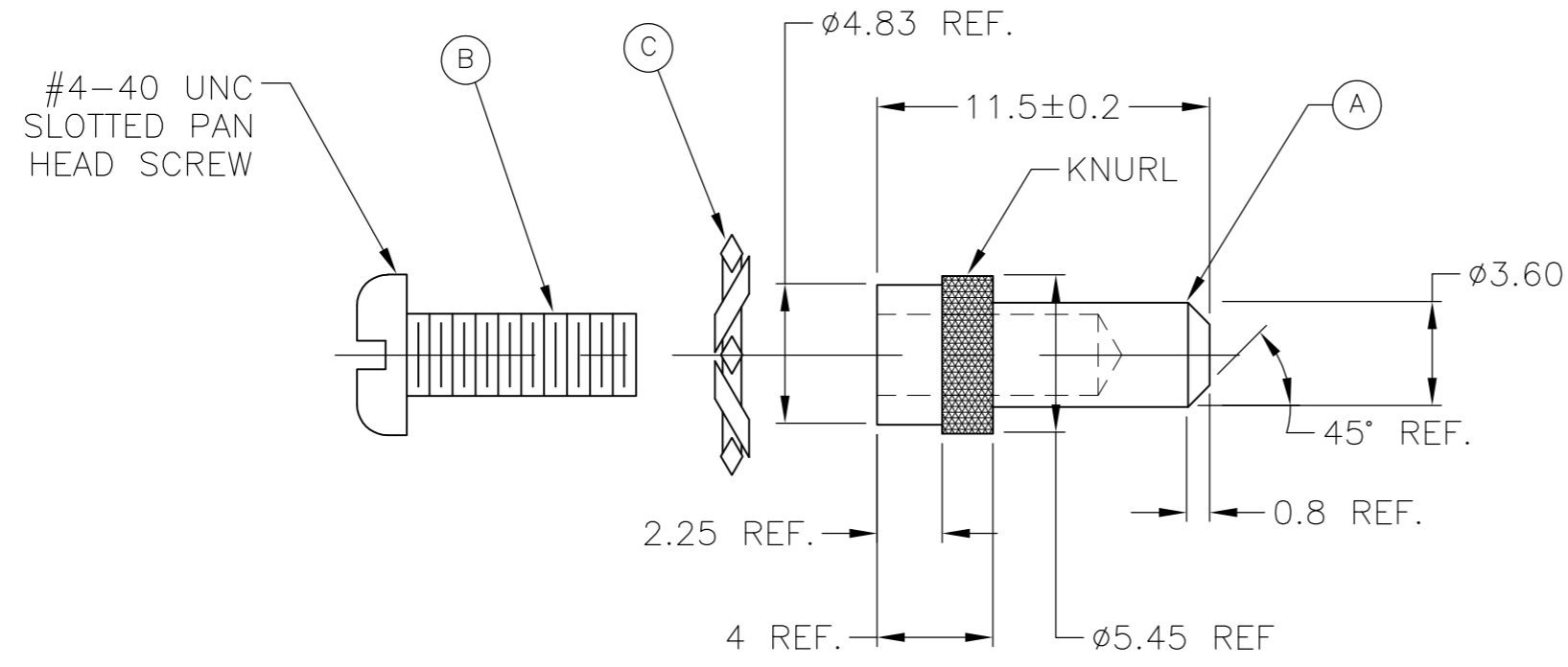
Email & Skype: info@chipsmall.com Web: www.chipsmall.com

Address: A1208, Overseas Decoration Building, #122 Zhenhua RD., Futian, Shenzhen, China



THIS DRAWING IS UNPUBLISHED. RELEASED FOR PUBLICATION
 © COPYRIGHT BY TYCO ELECTRONICS CORPORATION. ALL RIGHTS RESERVED.

LOC	DIST	REVISIONS			
P	LTR	DESCRIPTION	DATE	DWN	APVD
AD	00	B	RELEASED PER ECO-08-003162	04FEB08	DH AS



- 1 MATERIAL:
 A. POWER CONTACT: COPPER ALLOY
 B. SCREW: BRASS
 C. WASHER: PHOS BRONZE
- 2 FINISH:
 A. POWER CONTACT: GOLD OVER NICKEL
 B. SCREW: NICKEL
 C. WASHER: NONE
- 3 SCREW LENGTH: 7.92 REF.

5223167-1
 PART NUMBER

THIS DRAWING IS A CONTROLLED DOCUMENT.		DWN D. HUMBERT 020CT2007	Tyco Electronics Corporation Harrisburg, PA 17105-3608													
DIMENSIONS: mm		CHK A. SHARPE 020CT2007	NAME ASSEMBLY, CONTACT, PIN POWER WITH WASHER & SCREW													
TOLERANCES UNLESS OTHERWISE SPECIFIED:		APVD A. SHARPE 020CT2007	PRODUCT SPEC -													
<table border="0"> <tr><td>0 PLC</td><td>± -</td></tr> <tr><td>1 PLC</td><td>± 0.1</td></tr> <tr><td>2 PLC</td><td>± 0.13</td></tr> <tr><td>3 PLC</td><td>± -</td></tr> <tr><td>4 PLC</td><td>± -</td></tr> <tr><td>ANGLES</td><td>± -</td></tr> </table>		0 PLC	± -	1 PLC	± 0.1	2 PLC	± 0.13	3 PLC	± -	4 PLC	± -	ANGLES	± -	APPLICATION SPEC -	SIZE A3	CAGE CODE 00779
0 PLC	± -															
1 PLC	± 0.1															
2 PLC	± 0.13															
3 PLC	± -															
4 PLC	± -															
ANGLES	± -															
MATERIAL 1	FINISH 2	WEIGHT -	DRAWING NO 5223167	RESTRICTED TO -												
CUSTOMER DRAWING			SCALE 4:1	SHEET 1 OF 1												
			REV B													