



Chipsmall Limited consists of a professional team with an average of over 10 year of expertise in the distribution of electronic components. Based in Hongkong, we have already established firm and mutual-benefit business relationships with customers from,Europe,America and south Asia,supplying obsolete and hard-to-find components to meet their specific needs.

With the principle of “Quality Parts,Customers Priority,Honest Operation,and Considerate Service”,our business mainly focus on the distribution of electronic components. Line cards we deal with include Microchip,ALPS,ROHM,Xilinx,Pulse,ON,Everlight and Freescale. Main products comprise IC,Modules,Potentiometer,IC Socket,Relay,Connector.Our parts cover such applications as commercial,industrial, and automotives areas.

We are looking forward to setting up business relationship with you and hope to provide you with the best service and solution. Let us make a better world for our industry!



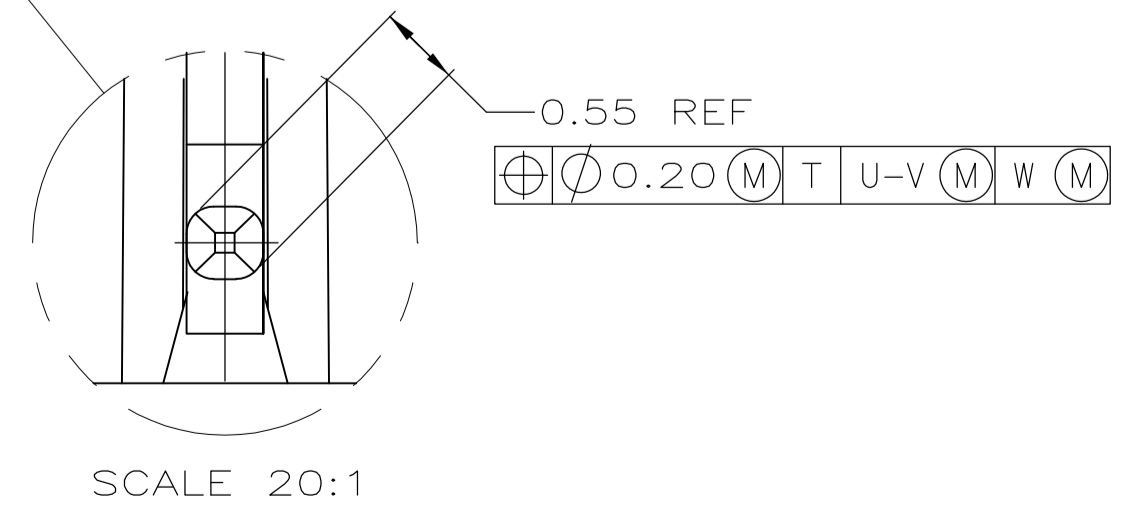
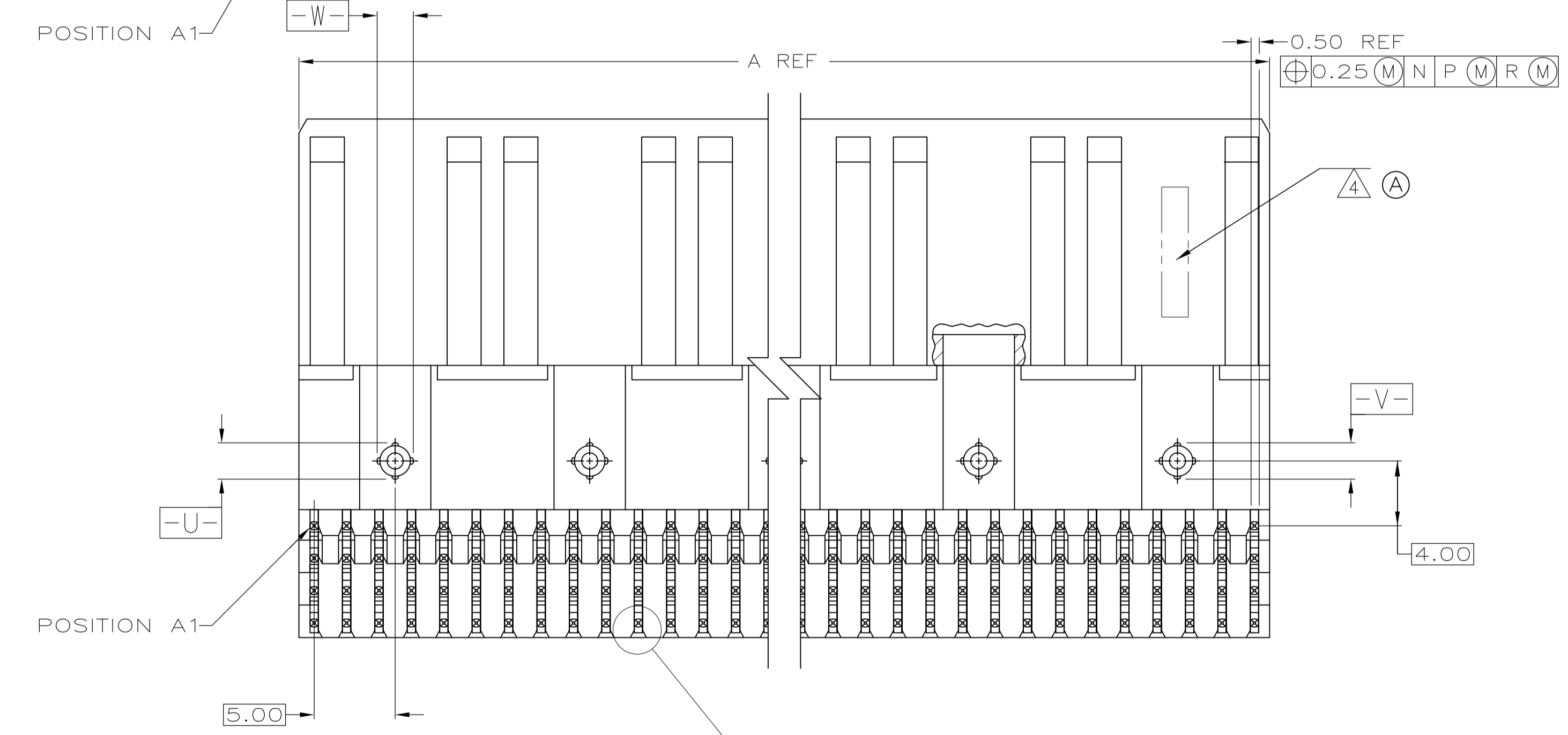
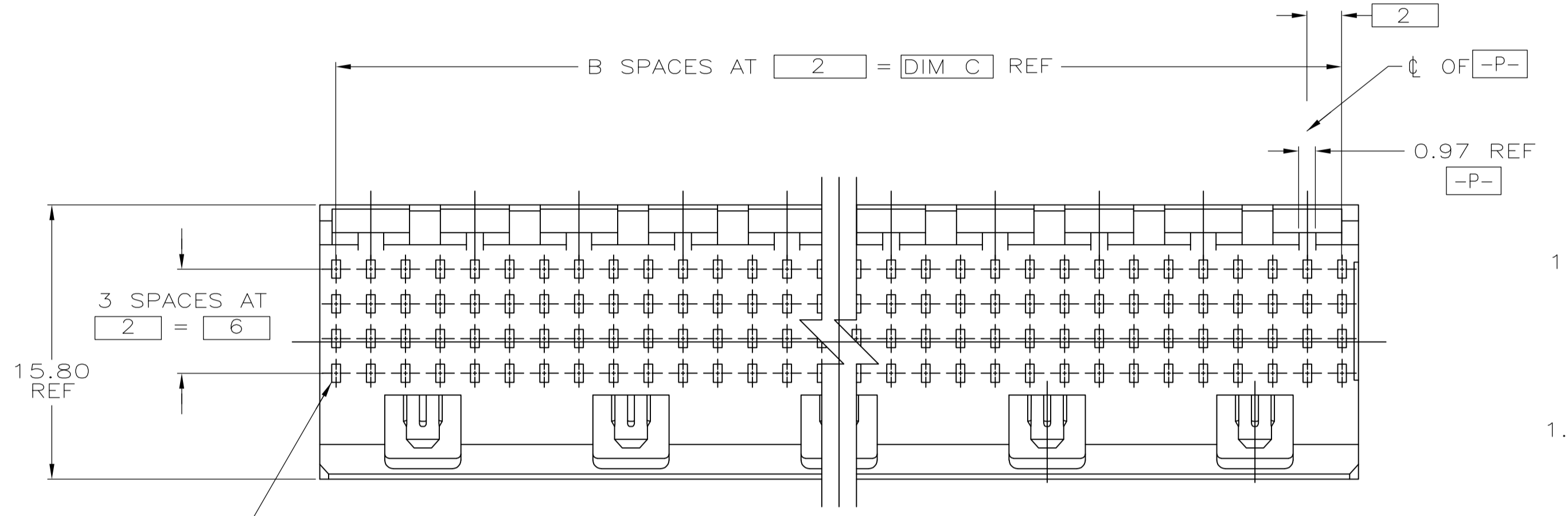
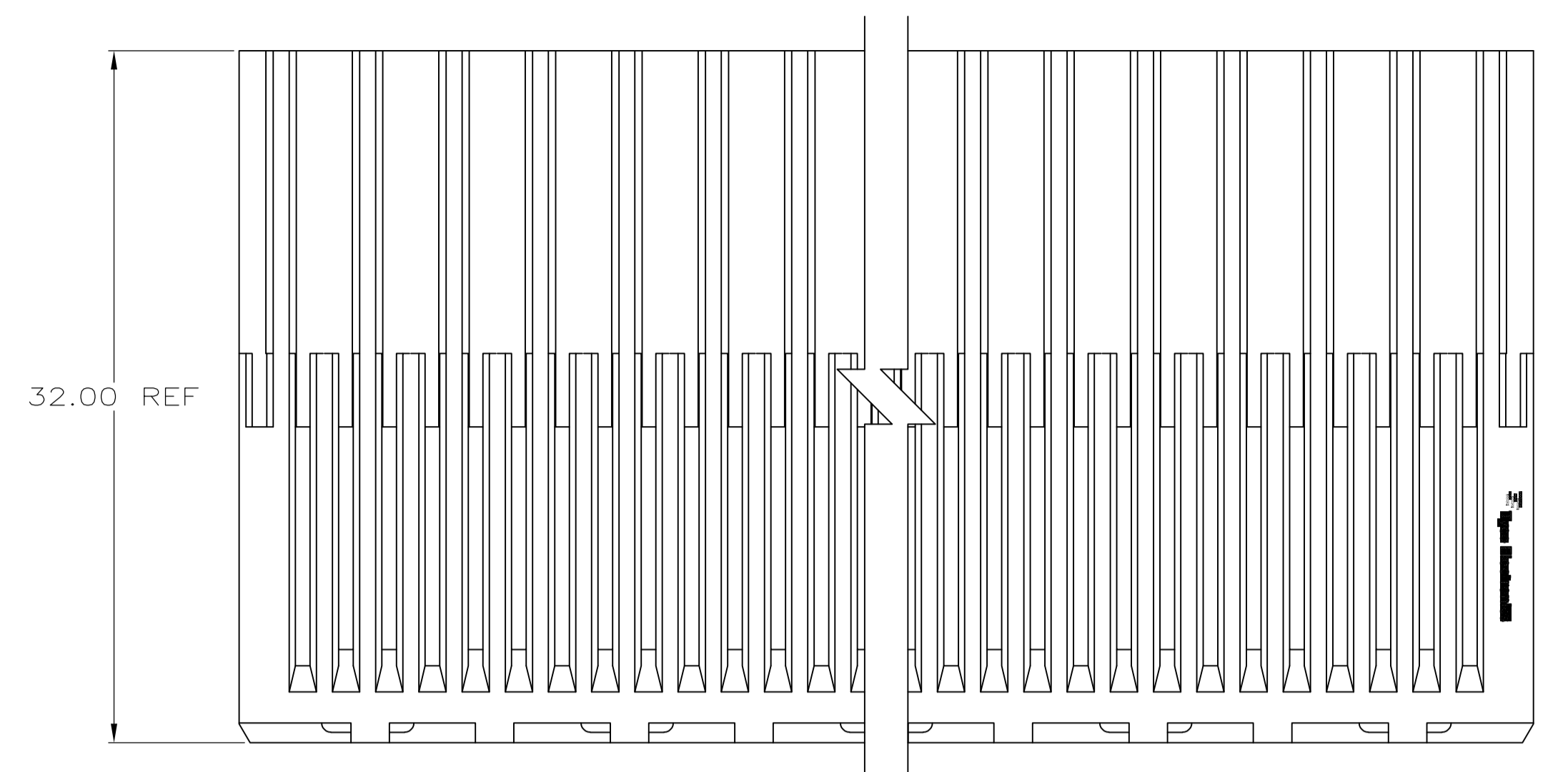
Contact us

Tel: +86-755-8981 8866 Fax: +86-755-8427 6832

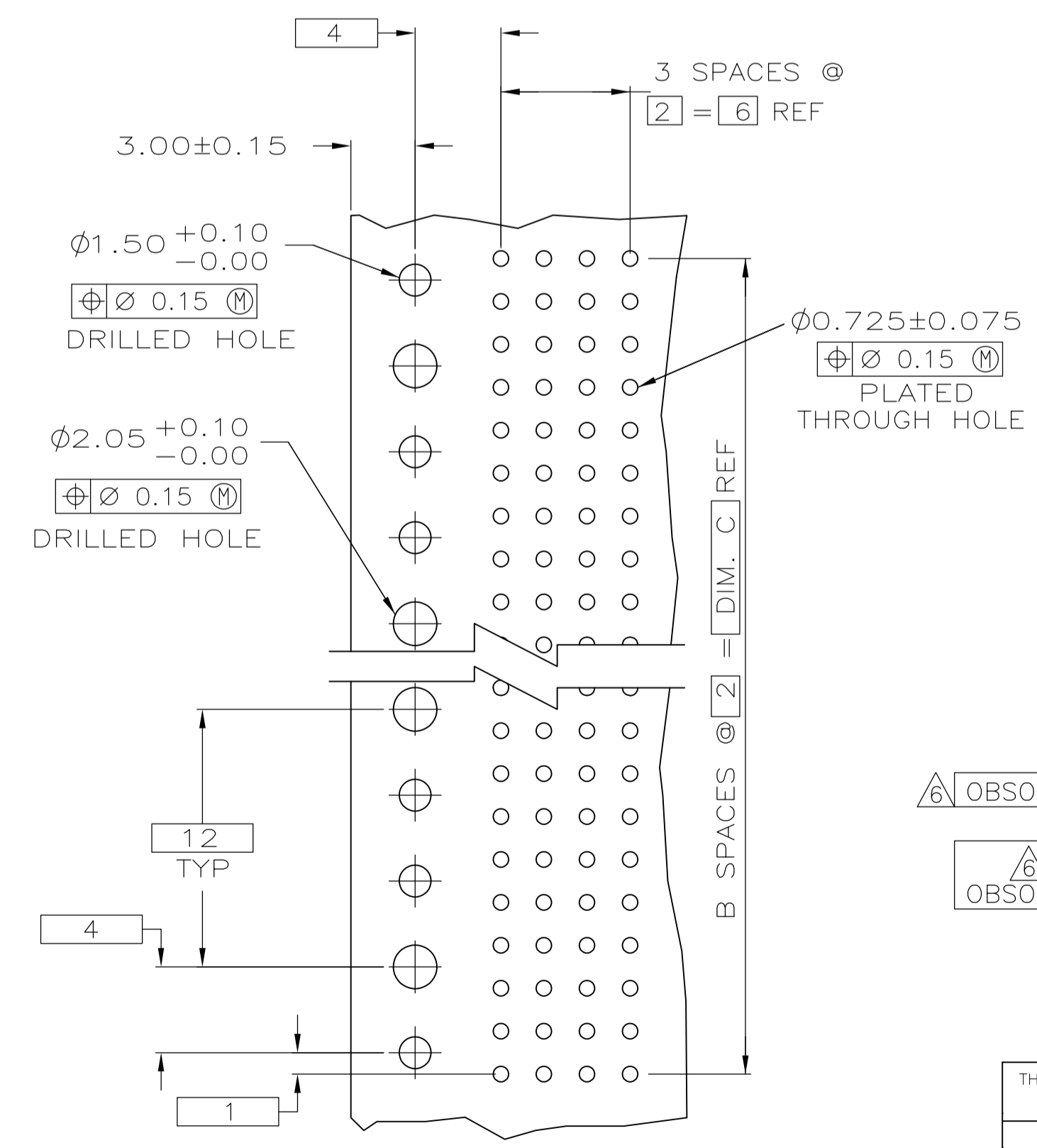
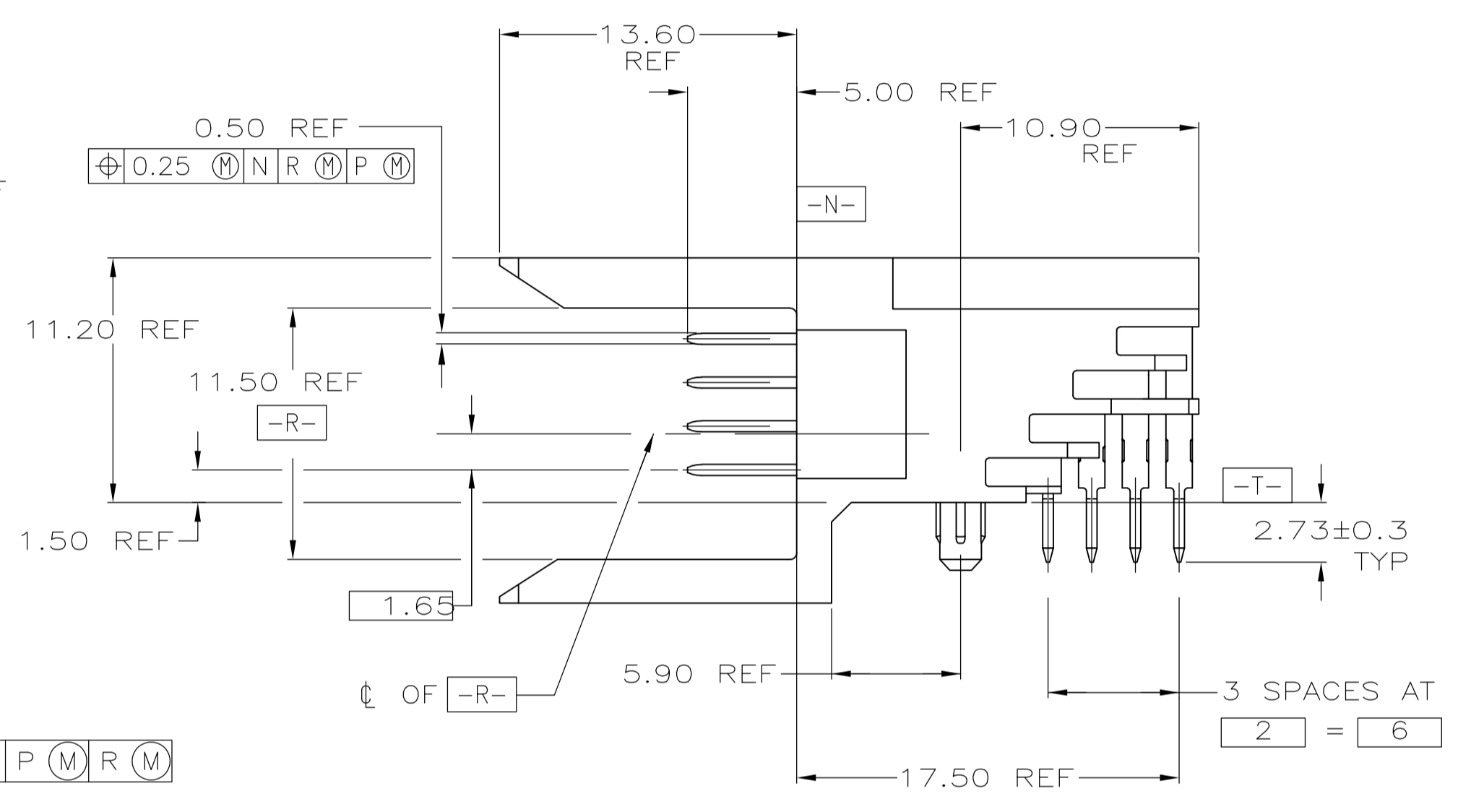
Email & Skype: info@chipsmall.com Web: www.chipsmall.com

Address: A1208, Overseas Decoration Building, #122 Zhenhua RD., Futian, Shenzhen, China





SCALE 20:1



RECOMMENDED CIRCUIT PATTERN
 PER IPC-D300 TYPE II, CLASS C
 (COMPONENT SIDE)

- △ HOUSING MATERIAL: LIQUID CRYSTAL POLYMER
COLOR: NATURAL.
- △ CONTACT MATERIAL: PHOSPHOR BRONZE PER UNS
ALLOY NO. C51100, TEMPER: H04.
- △ CONTACT FINISH:(A)
UNDERPLATE (ENTIRE CONTACT):
0.00127 MIN NICKEL PER SAE-AMS-QQ-N-290
ON MATING SURFACES:
CONFORMS TO ALL TESTING SPECIFIED FOR TELCORDIA
UNCONTROLLED ENVIRONMENT.
ON LEADS:
0.00381 MIN MATTE TIN PER ASTM B 545 OVER UNDERPLATE.
LUBRICATION (MIN MATING SURFACES):
SURFACE CONDITIONER AFTER PLATING.
- Ⓐ △ PART MARKING PER TE SPEC 115-9009 LOCATED APPROXIMATELY
AS SHOWN BETWEEN RIBS/SLOTS ON EITHER SIDE OF HOUSING AT
MANUFACTURER'S DISCRETION.
- △ PART TO BE MARKED WITH DATE CODE ONLY.
- △ OBSOLETE PARTS: OBSOLETE CIS STREAMLINING PER D.RENAUD/D.SINISI

82	41	83.88	△ 3	168	5223513-8
34	17	35.88	△ 3	72	5223513-7
58	29	59.88	△ 3	120	5223513-6
70	35	71.88	△ 3	144	5223513-5
94	47	95.88	△ 3	192	5223513-4
46	23	47.88	△ 3	96	5223513-3
22	11	23.88	△ 3	48	5223513-2
10	5	11.88	△ 3	24	5223513-1
C		B	A	FINISH	NO OF POSN
C		B	A	FINISH	NO OF POSN

THIS DRAWING IS A CONTROLLED DOCUMENT.

DIMENSIONS:	TOLERANCES UNLESS OTHERWISE SPECIFIED:	DIN B MCMMASTER 14DEC04	Tyco Electronics Corporation
mm	0 PLC ± -	DRK R WERTZ 14DEC04	Harrisburg, PA 17105-3608
Ø	1 PLC ± -	APVD R WERTZ 14DEC04	NAME
PL	2 PLC ± 0.13	PRODUCT SPEC	ASSEMBLY, PIN, SIGNAL,
PL	3 PLC ± -	APPLICATION SPEC	RIGHT ANGLE, 4 ROW, Z-PACK 2mm FB
PL	4 PLC ± -	WEIGHT	SIZE CAGE CODE DRAWING NO
ANGLES	FINISH	A1 00779 C=5223513	RESTRICTED TO
1 2	3	CUSTOMER DRAWING	SCALE 4:1 SHEET 1 OF 1 REV A