



Chipsmall Limited consists of a professional team with an average of over 10 year of expertise in the distribution of electronic components. Based in Hongkong, we have already established firm and mutual-benefit business relationships with customers from,Europe,America and south Asia,supplying obsolete and hard-to-find components to meet their specific needs.

With the principle of “Quality Parts,Customers Priority,Honest Operation,and Considerate Service”,our business mainly focus on the distribution of electronic components. Line cards we deal with include Microchip,ALPS,ROHM,Xilinx,Pulse,ON,Everlight and Freescale. Main products comprise IC,Modules,Potentiometer,IC Socket,Relay,Connector.Our parts cover such applications as commercial,industrial, and automotives areas.

We are looking forward to setting up business relationship with you and hope to provide you with the best service and solution. Let us make a better world for our industry!



Contact us

Tel: +86-755-8981 8866 Fax: +86-755-8427 6832

Email & Skype: info@chipsmall.com Web: www.chipsmall.com

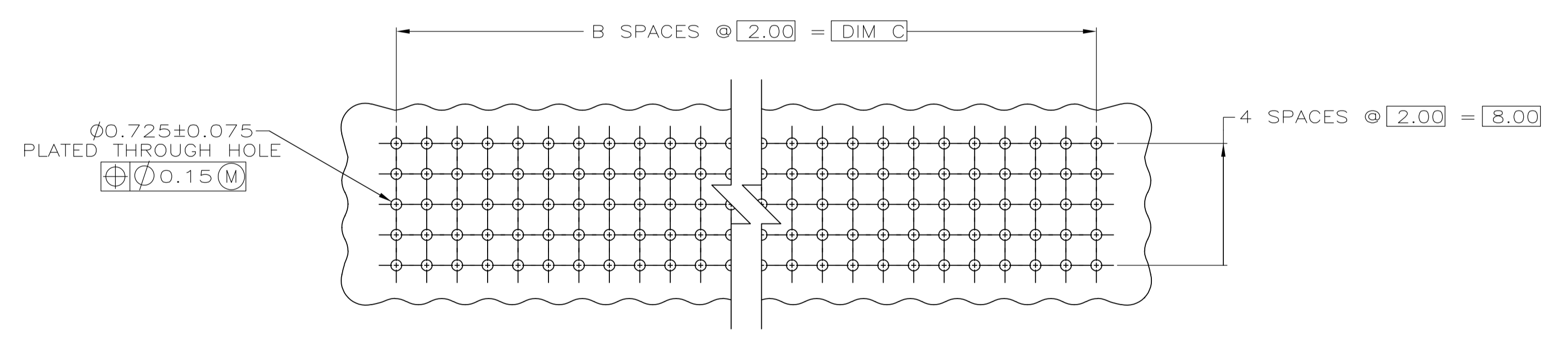
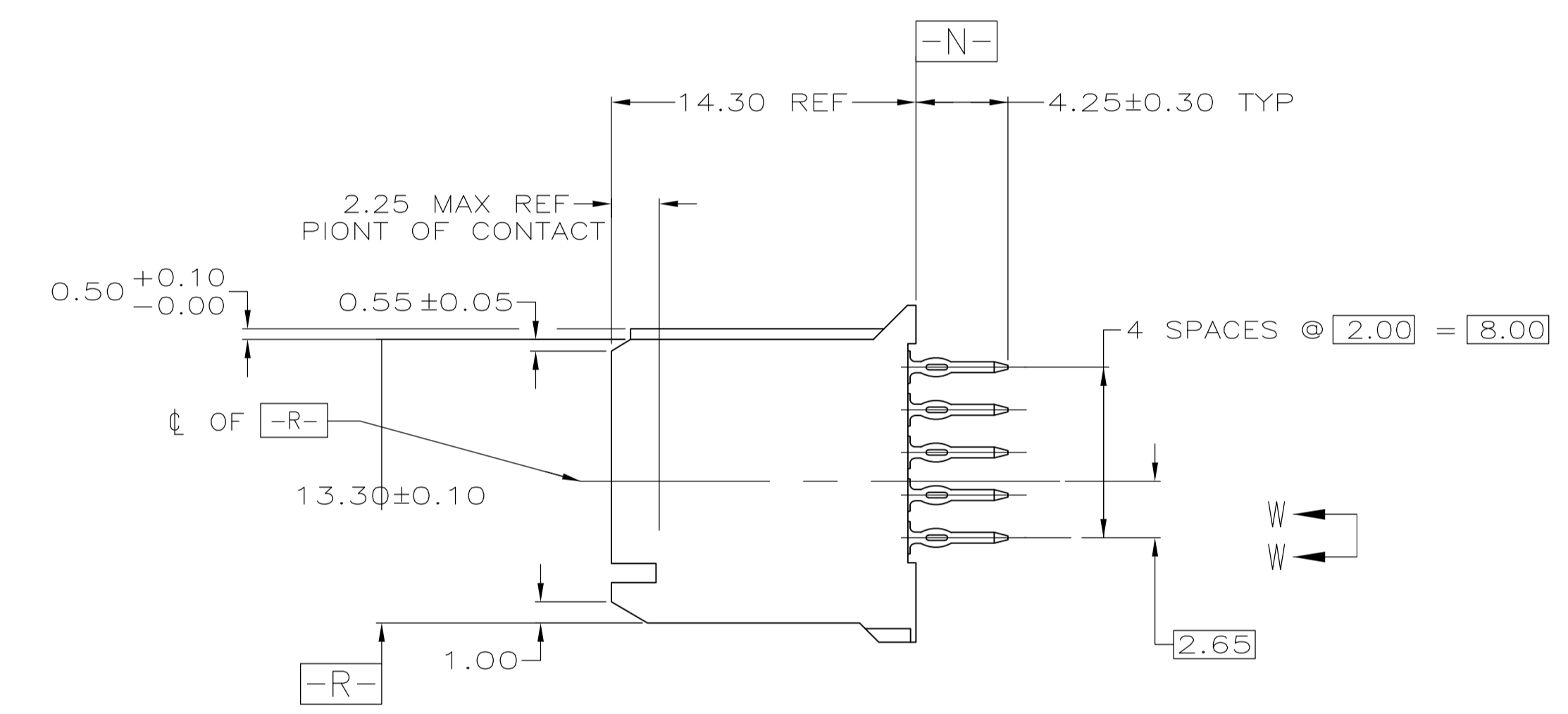
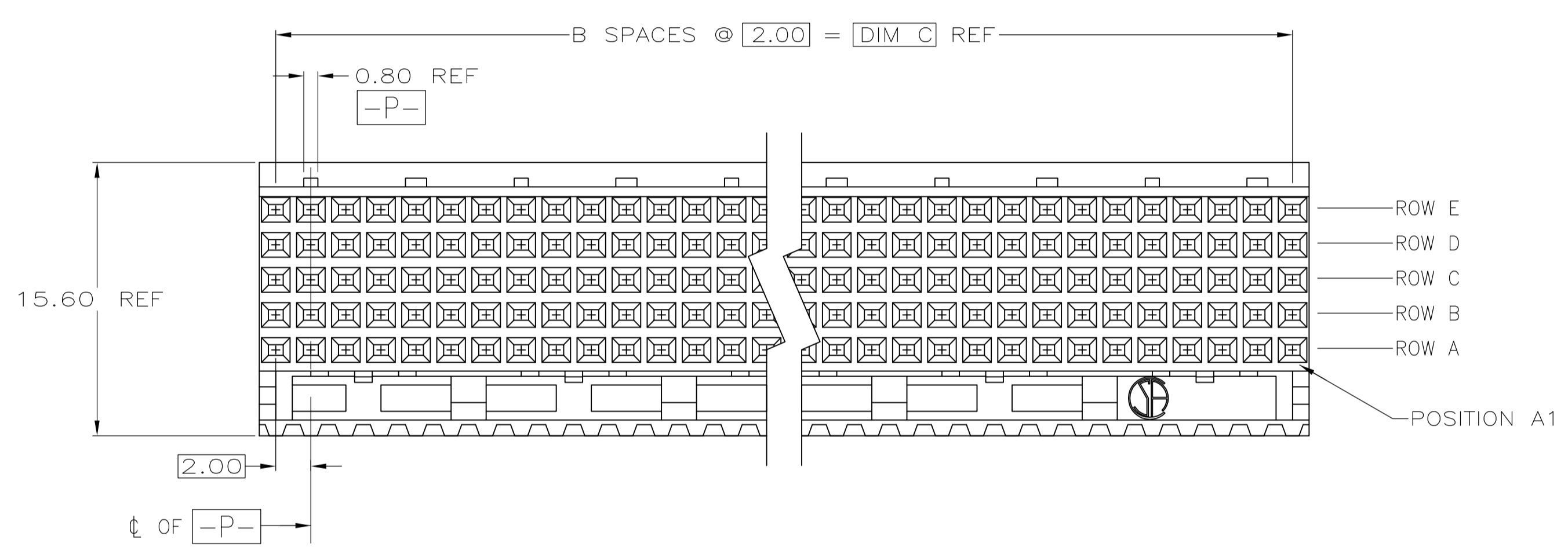
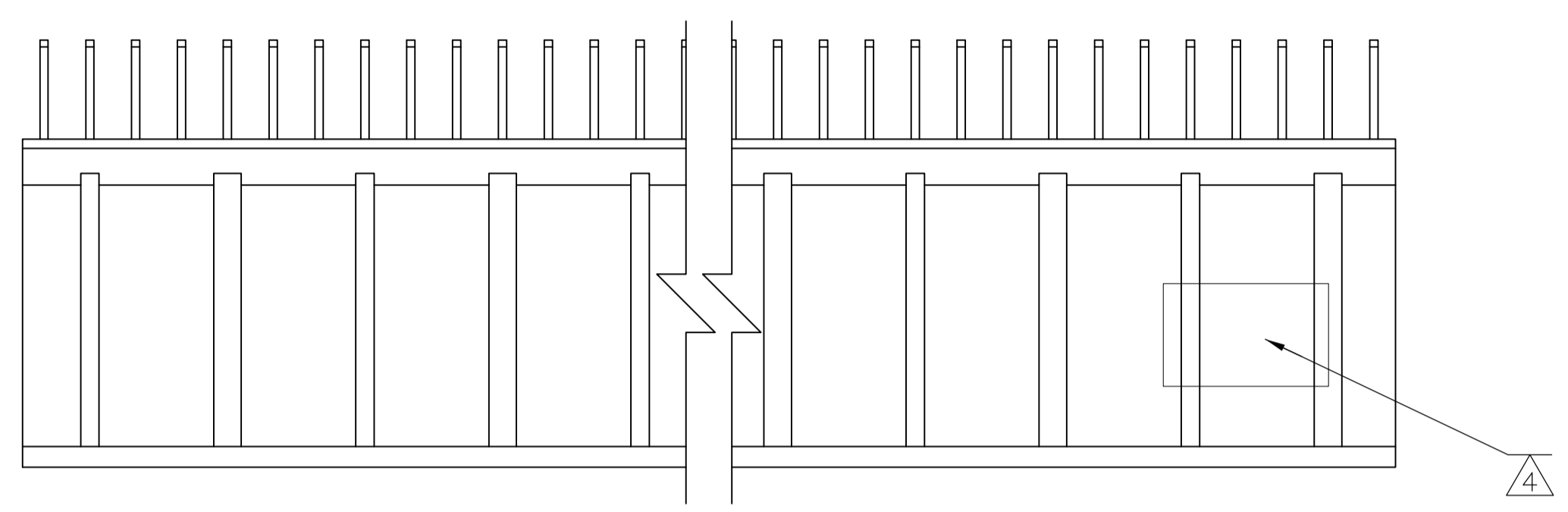
Address: A1208, Overseas Decoration Building, #122 Zhenhua RD., Futian, Shenzhen, China



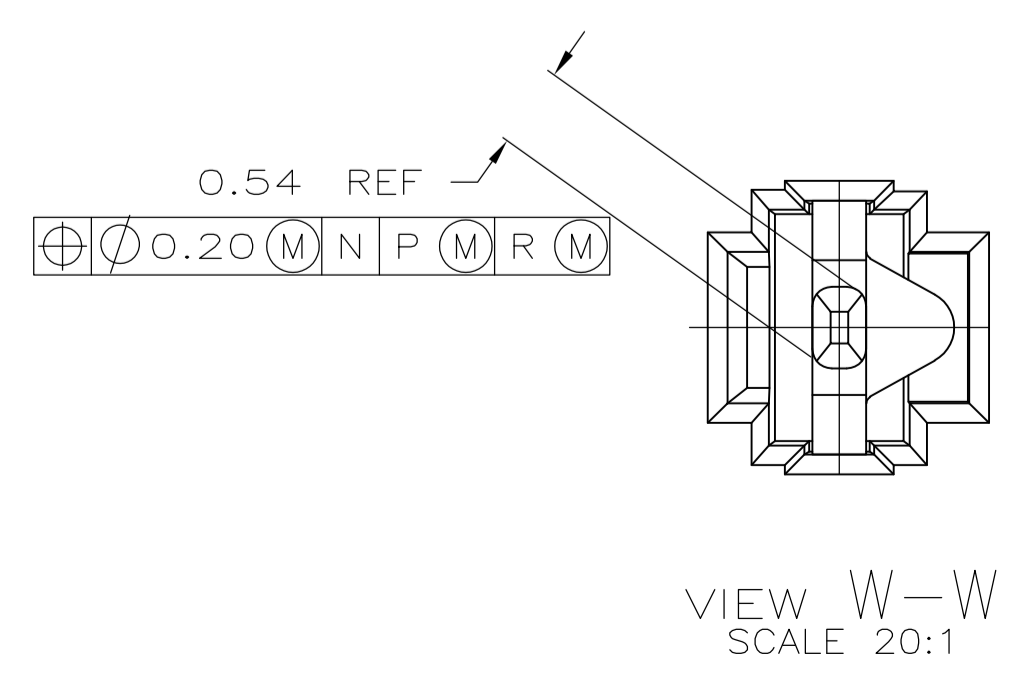
LOC		DIST		REVISIONS			
P	LTR	DESCRIPTION	DATE	DMN	APVD		
A		REVISED PER EC 0512-0213-05	13JUL05	JDP	RW		
A1		REVISED PER ECO-09-024606	31OCT09	KK	AEG		

- ⚠ HOUSING MATERIAL: LIQUID CRYSTAL POLYMER. COLOR: NATURAL
- ⚠ CONTACT MATERIAL: PHOSPHOR-BRONZE
- ⚠ CONTACT FINISH:(B)
 UNDERPLATE (ENTIRE CONTACT):
 0.00127 MIN NICKEL PER SAE-AMS-QQ-N-290
 ON MATING SURFACES:
 CONFORMS TO ALL TESTING SPECIFIED FOR TELCORDIA UNCONTROLLED ENVIRONMENT.
 ON LEADS:
 0.0006 MIN MATTE TIN PER ASTM B 545 OVER UNDERPLATE.
 LUBRICATION (MIN MATING SURFACES):
 SURFACE CONDITIONER AFTER PLATING.

- ⚠ PART MARKING, LOCATED APPROXIMATELY AS SHOWN.
- ⚠ OBSOLETE PARTS: OBSOLETE CIS STREAMLINING PER D.RENAUD/D.SINISI



RECOMMENDED CIRCUIT PATTERN
(COMPONENT SIDE)



VIEW W-W
SCALE 20:1

⚠ OBSOLETE	94.00	47	95.88	240	-5223652-8
	82.00	41	83.88	210	5223652-7
⚠ OBSOLETE	70.00	35	71.88	180	-5223652-6
	58.00	29	59.88	150	-5223652-5
⚠ OBSOLETE	46.00	23	47.88	120	5223652-4
	34.00	17	35.88	90	-5223652-3
⚠ OBSOLETE	22.00	11	23.88	60	5223652-2
	10.00	5	11.88	30	5223652-1
	DIM C	B	DIM A	NUMBER OF SIGNAL POSITIONS	PART NUMBER

DIMENSIONS:		TOLERANCES UNLESS OTHERWISE SPECIFIED:		MATERIAL		FINISH	
mm							
0 PLC	± -	0 PLC	± -				
1 PLC	± -	1 PLC	± -				
2 PLC	± 0.13	2 PLC	± 0.13				
3 PLC	± -	3 PLC	± -				
4 PLC	± -	4 PLC	± -				
ANGLES	± -	ANGLES	± -				

THIS DRAWING IS A CONTROLLED DOCUMENT.		DIN B MCMMASTER 150EC04	Tyco Electronics Corporation	
		CIK R WERTZ 150EC04	Harrisburg, Pa 17105-3608	
		APVD R WERTZ 150EC04	Tyco Electronics	
		PRODUCT SPEC	NAME ASSEMBLY, RECEPTACLE, SIGNAL, VERTICAL, 5 ROW, Z-PACK 2mm FB, WITH PRESS-FIT LEADS	
		APPLICATION SPEC	SIZE CAGE CODE DRAWING NO RESTRICTED TO	
		WEIGHT	A1 00779 C=5223652	
		CUSTOMER DRAWING	SCALE 4:1 SHEET 1 OF 1 REV A1	