



Chipsmall Limited consists of a professional team with an average of over 10 year of expertise in the distribution of electronic components. Based in Hongkong, we have already established firm and mutual-benefit business relationships with customers from,Europe,America and south Asia,supplying obsolete and hard-to-find components to meet their specific needs.

With the principle of “Quality Parts,Customers Priority,Honest Operation,and Considerate Service”,our business mainly focus on the distribution of electronic components. Line cards we deal with include Microchip,ALPS,ROHM,Xilinx,Pulse,ON,Everlight and Freescale. Main products comprise IC,Modules,Potentiometer,IC Socket,Relay,Connector.Our parts cover such applications as commercial,industrial, and automotives areas.

We are looking forward to setting up business relationship with you and hope to provide you with the best service and solution. Let us make a better world for our industry!



Contact us

Tel: +86-755-8981 8866 Fax: +86-755-8427 6832

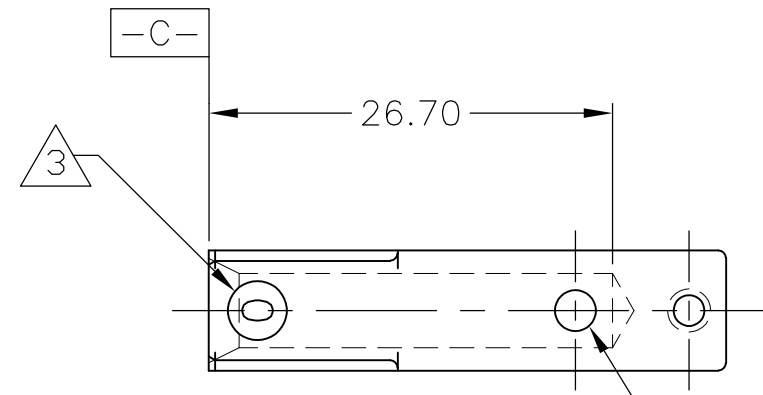
Email & Skype: info@chipsmall.com Web: www.chipsmall.com

Address: A1208, Overseas Decoration Building, #122 Zhenhua RD., Futian, Shenzhen, China

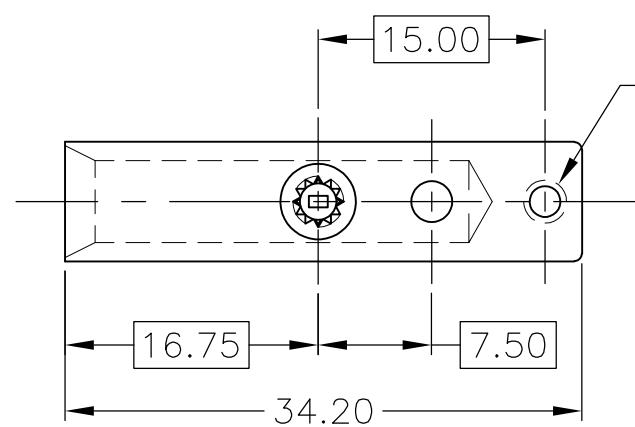
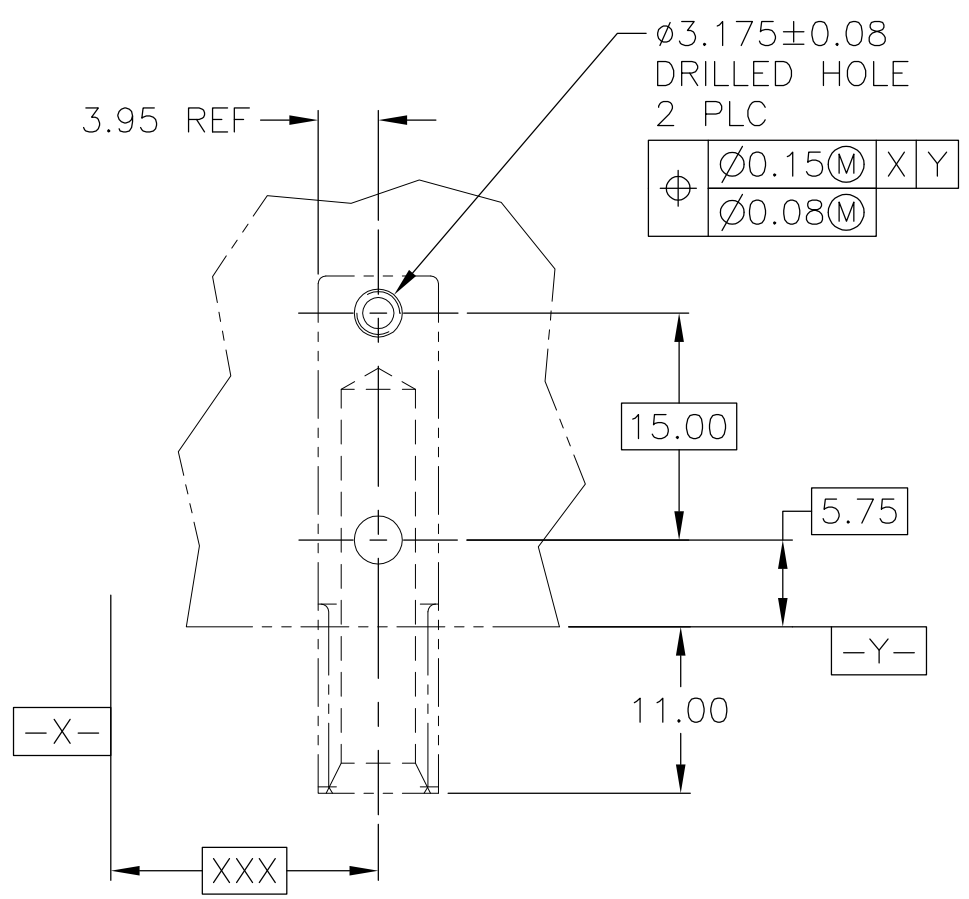
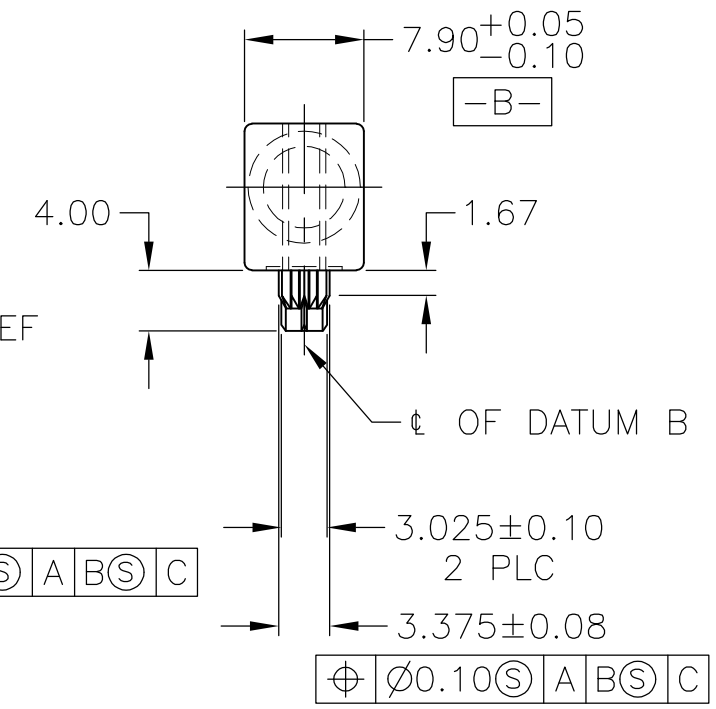
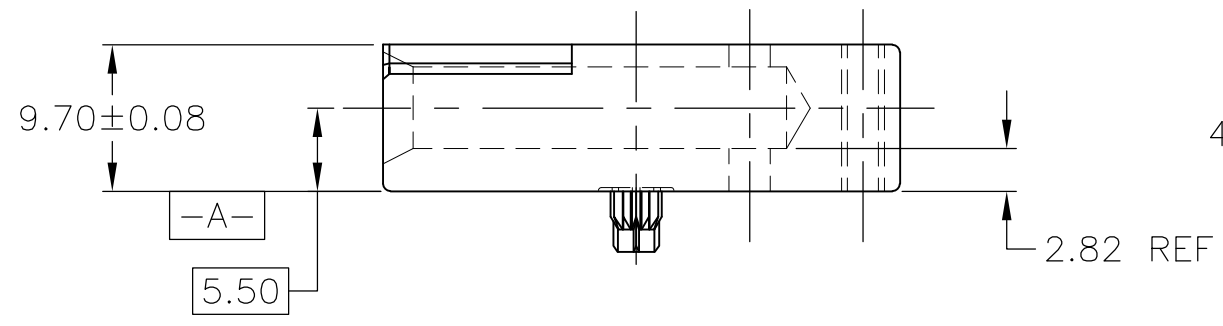
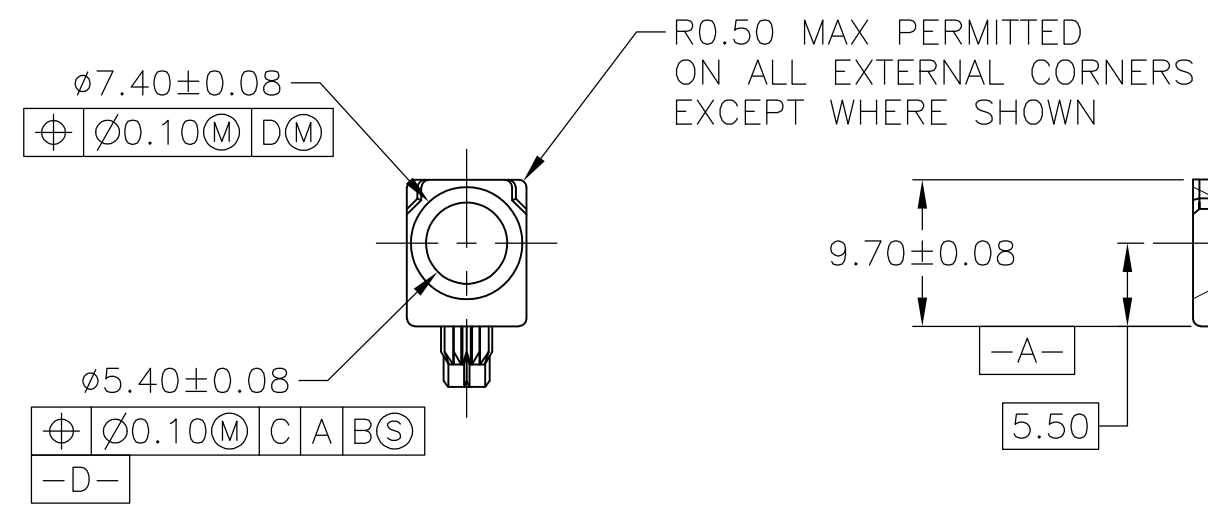


THIS DRAWING IS UNPUBLISHED. RELEASED FOR PUBLICATION
 © COPYRIGHT - By - ALL RIGHTS RESERVED.

LOC	DIST	REVISIONS			
P	LTR	DESCRIPTION	DATE	DWN	APVD
AD	00	A1	REVISED PER ECO-11-004835	11MAR11	RK HMR



- 1 MATERIAL: ZINC ALLOY DIE CASTING, ZAMAK 3.
- 2 SURFACE FINISH: CHROMATE CONVERSION COATING. (ROHS COMPATIBLE).
- 3 M3 "0" THREAD IDENTIFIER.
- 4 PACKAGE QTY 500 PCS.



SEE TABLE	$\phi 0.10$	S	A	B	S	C
-----------	-------------	---	---	---	---	---

$\phi 0.10$	S	A	B	S	C
-------------	---	---	---	---	---

3 4	-	5223957-4
3	M3 X 0.5	5223957-3
-	#4-40 UNC-2B	5223957-1
REMARKS	THREAD TYPE	PART NUMBER

THIS DRAWING IS A CONTROLLED DOCUMENT.		DWN	J. POLIGNONE	05APR05	STE TE Connectivity			
DIMENSIONS: mm		CHK	R. PATTERSON	05APR05				
TOLERANCES UNLESS OTHERWISE SPECIFIED:		APVD	R. PATTERSON	05APR05	NAME			
0 PLC ± -		PRODUCT SPEC		MODULE, FEMALE GUIDE, UNIVERSAL POWER MODULE				
1 PLC ± -		APPLICATION SPEC		SIZE		CAGE CODE	DRAWING NO	RESTRICTED TO
2 PLC ± 0.13		WEIGHT		A3		00779	C=5223957	-
3 PLC ± -		CUSTOMER DRAWING		SCALE		SHEET		REV
4 PLC ± -		MATERIAL		2:1		1 OF 1		A1
ANGLES ± -		FINISH						
1		2						

FOOTPRINT