



Chipsmall Limited consists of a professional team with an average of over 10 year of expertise in the distribution of electronic components. Based in Hongkong, we have already established firm and mutual-benefit business relationships with customers from,Europe,America and south Asia,supplying obsolete and hard-to-find components to meet their specific needs.

With the principle of “Quality Parts,Customers Priority,Honest Operation,and Considerate Service”,our business mainly focus on the distribution of electronic components. Line cards we deal with include Microchip,ALPS,ROHM,Xilinx,Pulse,ON,Everlight and Freescale. Main products comprise IC,Modules,Potentiometer,IC Socket,Relay,Connector.Our parts cover such applications as commercial,industrial, and automotives areas.

We are looking forward to setting up business relationship with you and hope to provide you with the best service and solution. Let us make a better world for our industry!



## Contact us

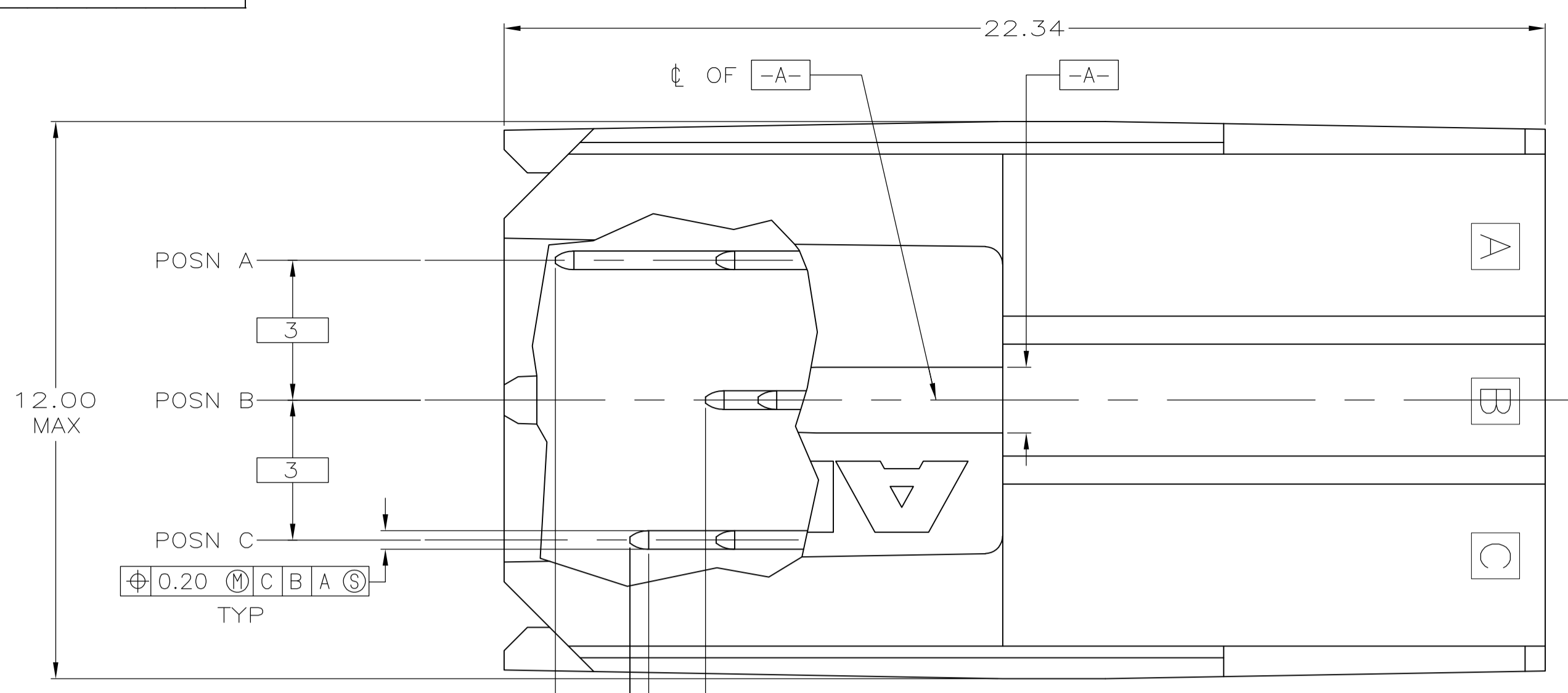
Tel: +86-755-8981 8866 Fax: +86-755-8427 6832

Email & Skype: info@chipsmall.com Web: www.chipsmall.com

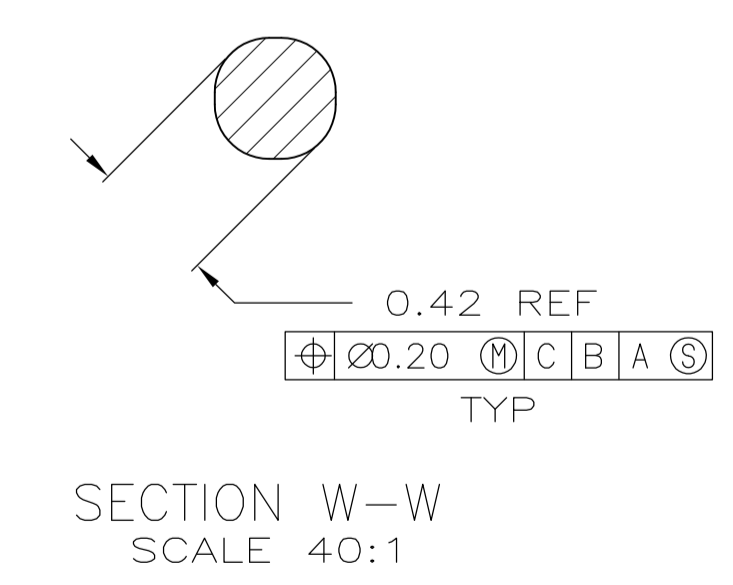
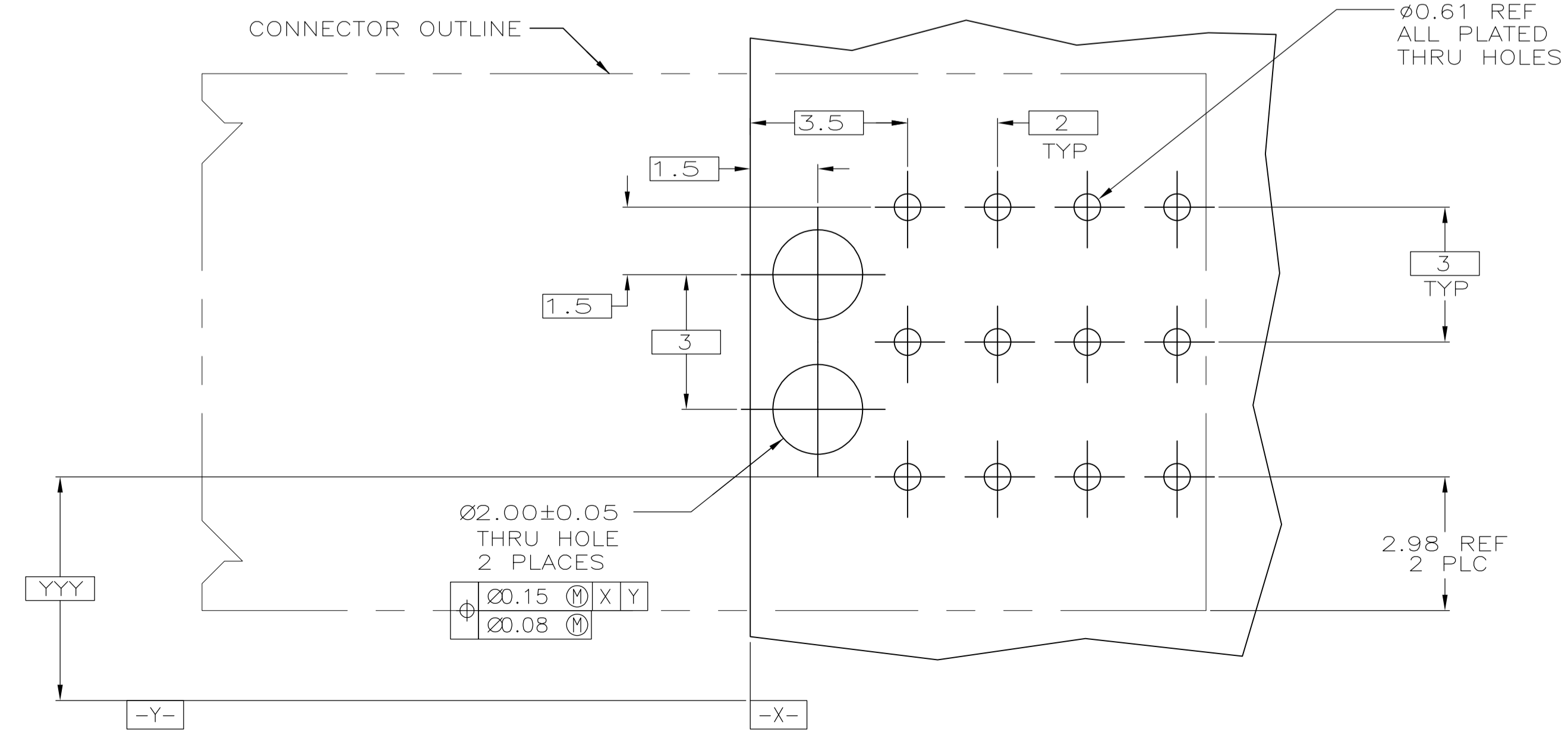
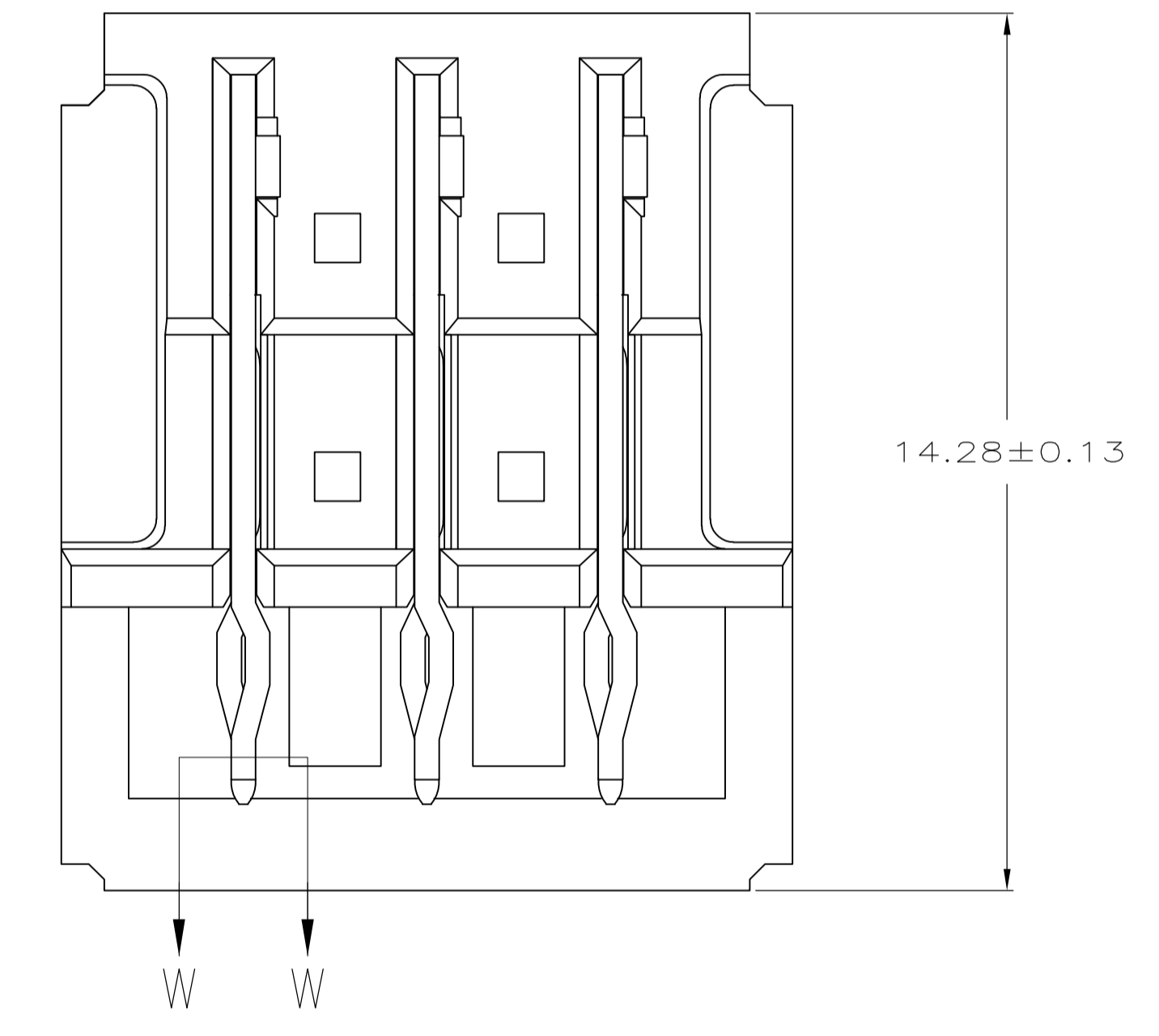
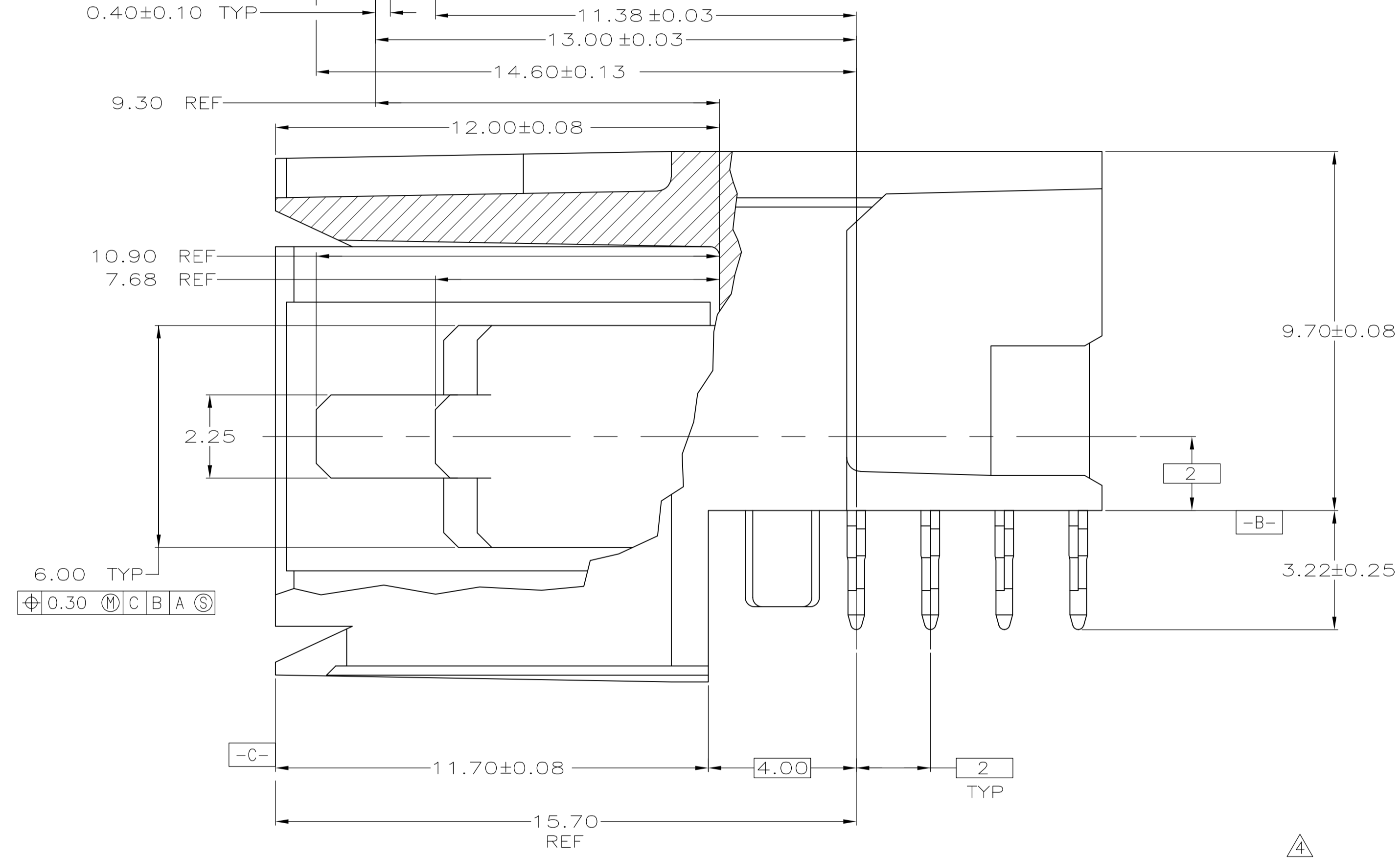
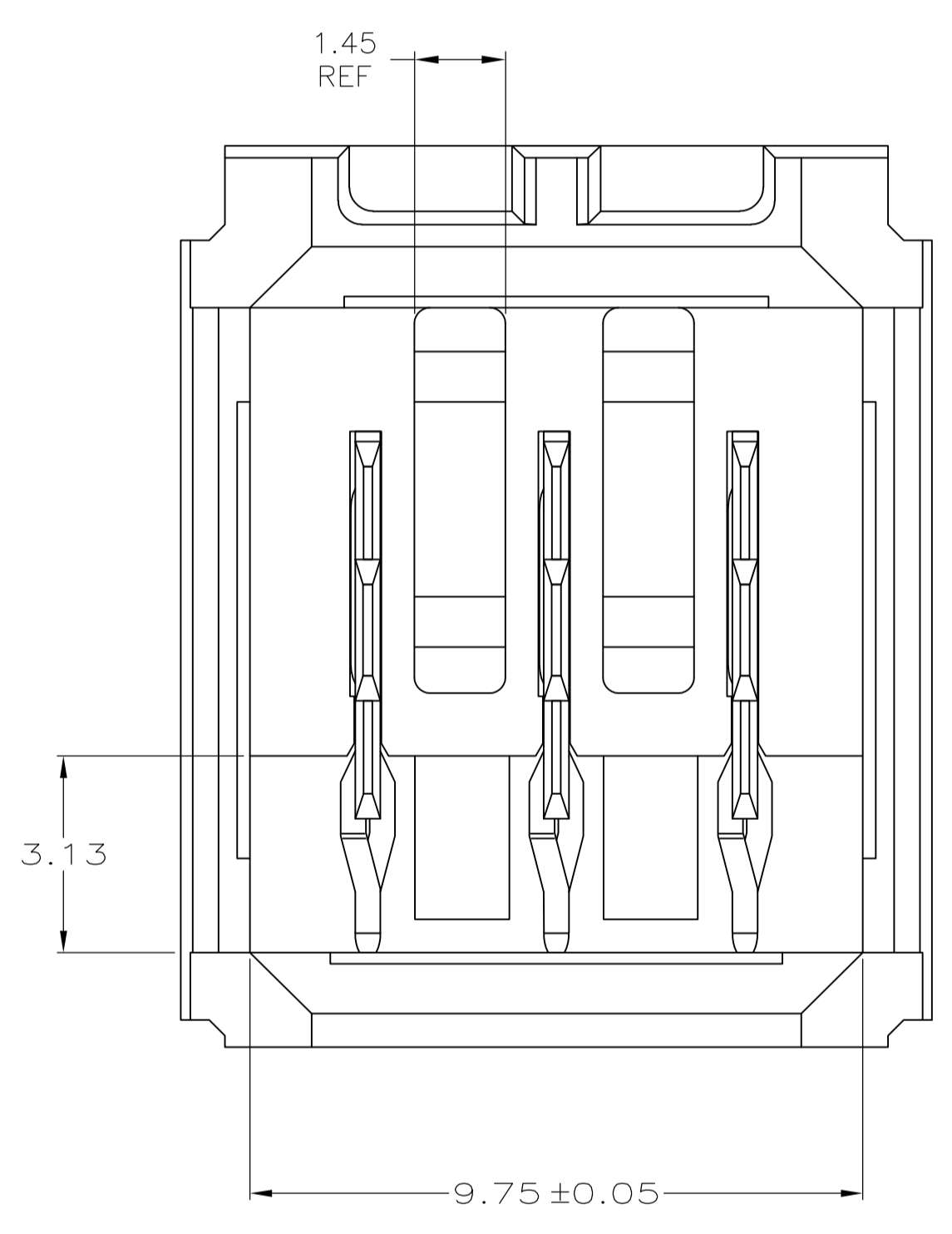
Address: A1208, Overseas Decoration Building, #122 Zhenhua RD., Futian, Shenzhen, China



LOC		DIST		REVISIONS				
AD	00	P	LTR	DESCRIPTION	DATE	DMN	APVD	
C				REVISED PER ECO-11-000045	05JAN11	DH	DY	



- 1 MATERIAL: HOUSING: POLYESTER. COLOR: GRAY. UL 94V-0.  
CONTACT: PHOSPHOR BRONZE.
- 2 FINISH: CONTACT MATING AREA: 1.27 $\mu$ m MIN GOLD OR 0.08 $\mu$ m MIN GOLD OVER  
0.76 $\mu$ m MIN PALLADIUM-NICKEL.  
ACTION PIN AREA: 0.5 $\mu$ m MIN TIN PLATE,  
ALL OVER 1.27 $\mu$ m MIN NICKEL UNDERPLATE.
- 3 FINISH: CONTACT LUBRICATION WITH BELLCORE APPROVED  
LUBRICANT. TECHNICAL REFERENCE: TR-NWT-001217  
ISSUE 1, SEPT 1992.
- 4 REFERENCE APPLICATION SPEC 114-1103 FOR  
RECOMMENDED PLATED THRU HOLE DIAMETER AND  
PLATING THICKNESS.
- 5 CURRENT RATING 10A/CONTACT PER PRODUCT SPEC 108-1651.



5223971-1  
 PART NUMBER

THIS DRAWING IS A CONTROLLED DOCUMENT.		DIN B CARDO 130EC04	Tyco Electronics Corporation Harrisburg, PA 17105-3608
DIMENSIONS: mm		CHK R PATTERSON 130EC04	
TOLERANCES UNLESS OTHERWISE SPECIFIED:		NAME R PATTERSON 130EC04	ASSEMBLY, RIGHT ANGLE HEADER, W/ RETENTION PEGS, UNIVERSAL POWER MODULE
0 PLC $\pm$ -		APPLICATION SPEC	RESTRICTED TO
1 PLC $\pm$ -		SIZE	SCALE 10:1
2 PLC $\pm$ 0.13		WEIGHT	SHEET 1 OF 1
3 PLC $\pm$ -		CUSTOMER DRAWING	REV C
4 PLC ANGLES $\pm$ -		DATE	