



Chipsmall Limited consists of a professional team with an average of over 10 year of expertise in the distribution of electronic components. Based in Hongkong, we have already established firm and mutual-benefit business relationships with customers from,Europe,America and south Asia,supplying obsolete and hard-to-find components to meet their specific needs.

With the principle of "Quality Parts,Customers Priority,Honest Operation,and Considerate Service",our business mainly focus on the distribution of electronic components. Line cards we deal with include Microchip,ALPS,ROHM,Xilinx,Pulse,ON,Everlight and Freescale. Main products comprise IC,Modules,Potentiometer,IC Socket,Relay,Connector.Our parts cover such applications as commercial,industrial, and automotives areas.

We are looking forward to setting up business relationship with you and hope to provide you with the best service and solution. Let us make a better world for our industry!



Contact us

Tel: +86-755-8981 8866 Fax: +86-755-8427 6832

Email & Skype: info@chipsmall.com Web: www.chipsmall.com

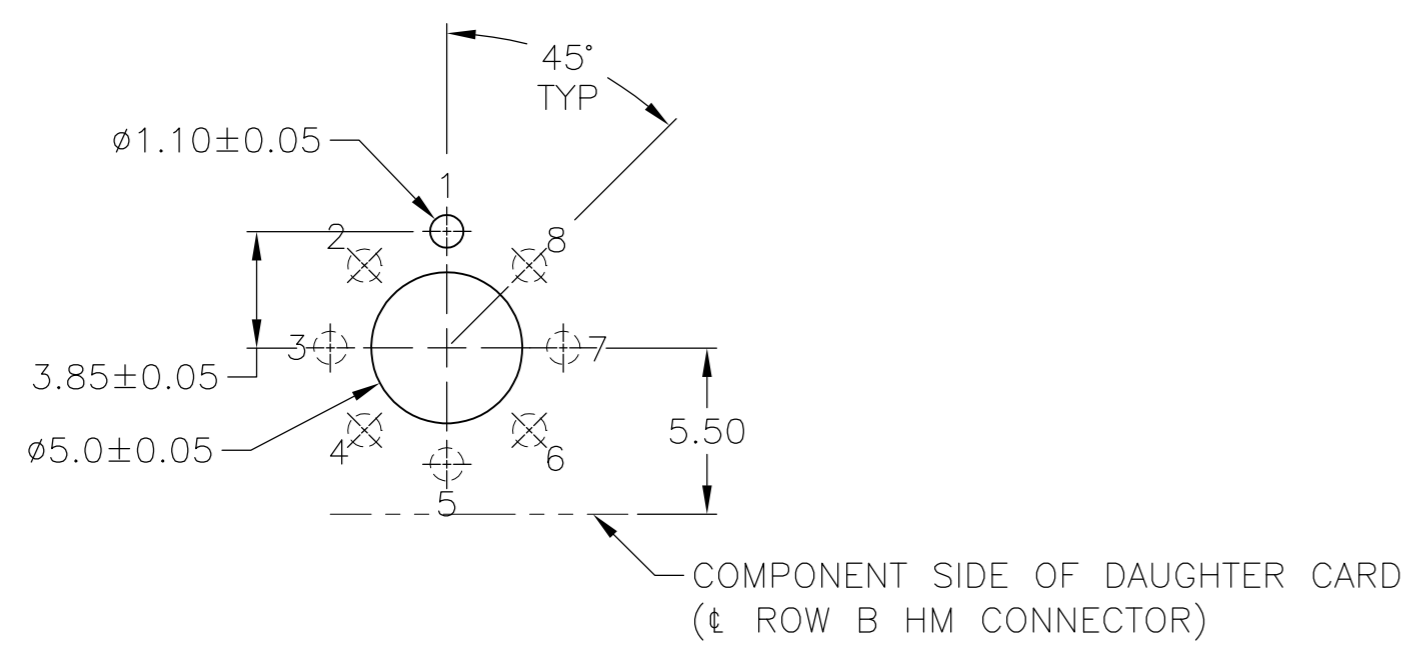
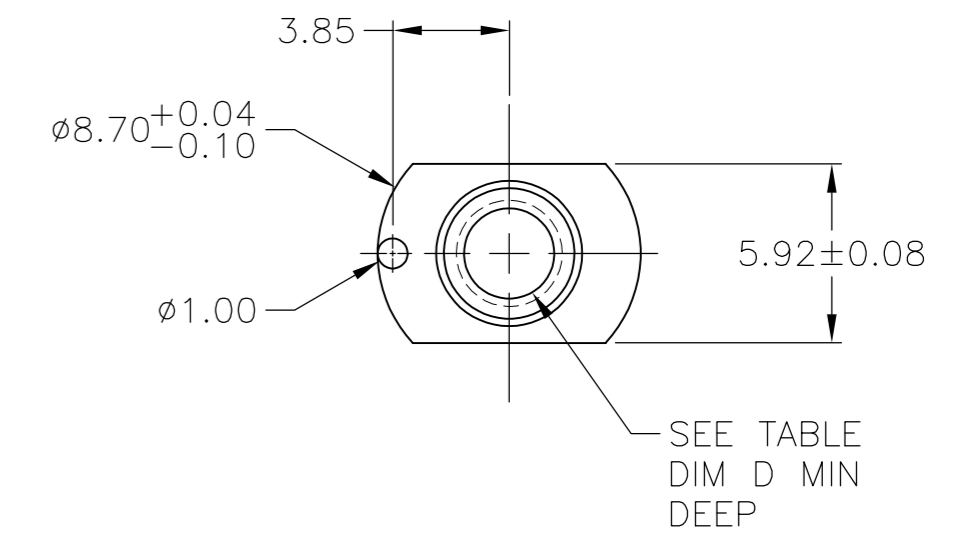
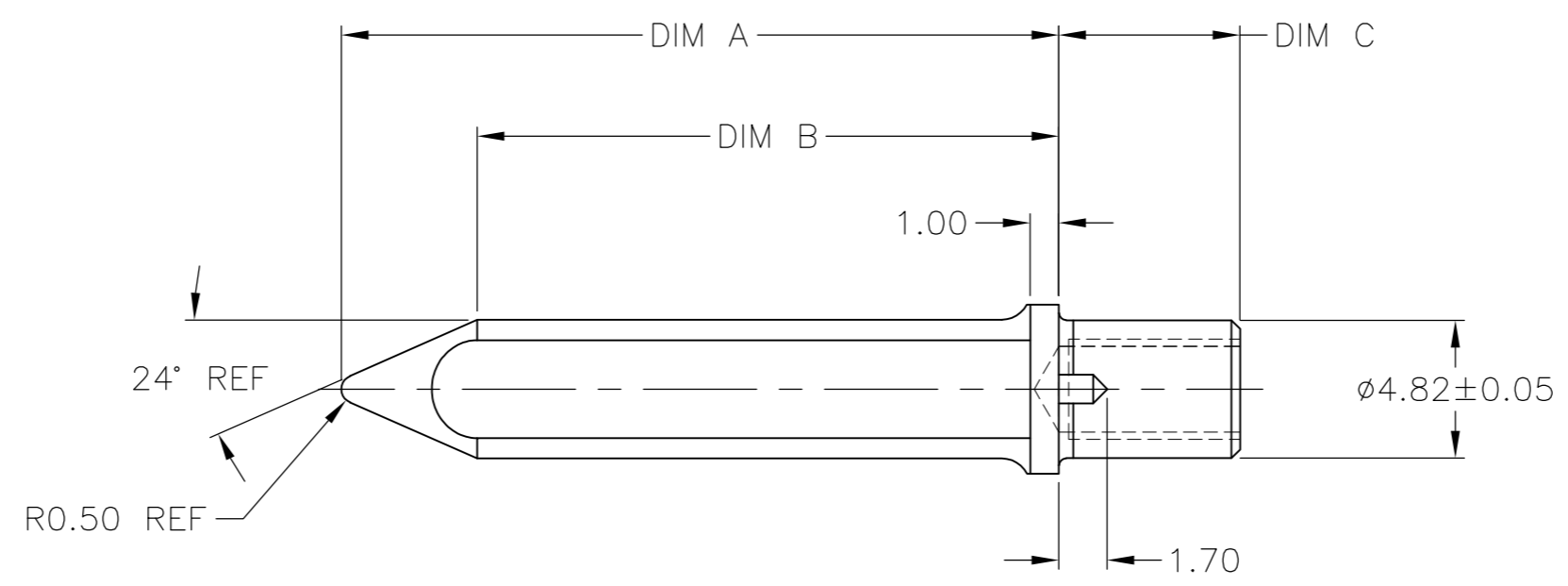
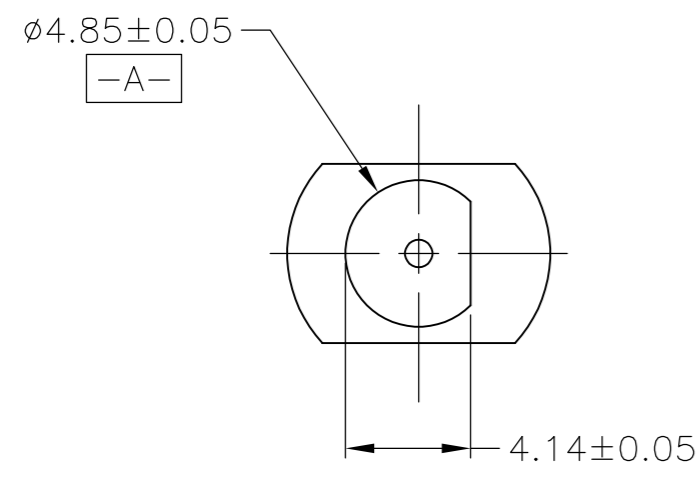
Address: A1208, Overseas Decoration Building, #122 Zhenhua RD., Futian, Shenzhen, China



THIS DRAWING IS UNPUBLISHED. RELEASED FOR PUBLICATION
 © COPYRIGHT - By - ALL RIGHTS RESERVED.

LOC		DIST		REVISIONS			
P	LTR	DESCRIPTION		DATE	DWN	APVD	
G1		REVISED PER ECO-11-004835		11MAR11	RK	HMR	

- 1 MATERIAL: ZINC ALLOY DIE CASTING.
- 2 FINISH: CHROMATE CONVERSION COATING. (ROHS COMPATIBLE).
- 3 FINISH: NICKEL PLATING
- 4 TOLERANCE ON DIMENSION "C" IS ±0.05MM



6-32UNC-2B	2.9	2.4	20.39	25.16	2	4	1	5223985-9
6-32UNC-2B	4.65	5.0	20.39	25.16	2	2	1	5223985-8
4-40UNC-2B	2.6	1.7	20.39	25.16	2	1	1	5223985-7
6-32UNC-2B	4.65	5.0	20.39	25.16	2	3	1	5223985-6
6-32UNC-2B	2.2	1.7	20.39	25.16	2	1	1	5223985-5
6-32UNC-2B	3.45	3.8	20.39	25.16	2	2	1	5223985-4
6-32UNC-2B	3.0	6.35	24.23	29.00	2	1	1	5223985-3
6-32UNC-2B	6.0	6.35	20.39	25.13	2	2	1	5223985-1
THREAD TYPE	DIM D	DIM C	DIM B	DIM A	FINISH		MATERIAL	
							PART NUMBER	

RECOMMENDED P.C. BOARD LAYOUT

(POSITION SHOWN USED WITH P/N 223986-1)

THIS DRAWING IS A CONTROLLED DOCUMENT.

DIMENSIONS: mm	TOLERANCES UNLESS OTHERWISE SPECIFIED:	DWN J. POLIGNONE 05APR05	 TE Connectivity
		CHK R.PATTERSON 05APR05	
		APVD R.PATTERSON 05APR05	
		PRODUCT SPEC	
MATERIAL: SEE TABLE	FINISH: SEE TABLE	NAME: R.PATTERSON	GUIDE PIN, UNIVERSAL POWER MODULE
		APPLICATION SPEC	SIZE: A2 CAGE CODE: 00779 DRAWING NO: C=5223985
		WEIGHT: -	RESTRICTED TO: -
		CUSTOMER DRAWING	SCALE: 1:1 SHEET: 1 OF 1 REV: G1