



Chipsmall Limited consists of a professional team with an average of over 10 year of expertise in the distribution of electronic components. Based in Hongkong, we have already established firm and mutual-benefit business relationships with customers from,Europe,America and south Asia,supplying obsolete and hard-to-find components to meet their specific needs.

With the principle of “Quality Parts,Customers Priority,Honest Operation,and Considerate Service”,our business mainly focus on the distribution of electronic components. Line cards we deal with include Microchip,ALPS,ROHM,Xilinx,Pulse,ON,Everlight and Freescale. Main products comprise IC,Modules,Potentiometer,IC Socket,Relay,Connector.Our parts cover such applications as commercial,industrial, and automotives areas.

We are looking forward to setting up business relationship with you and hope to provide you with the best service and solution. Let us make a better world for our industry!



Contact us

Tel: +86-755-8981 8866 Fax: +86-755-8427 6832

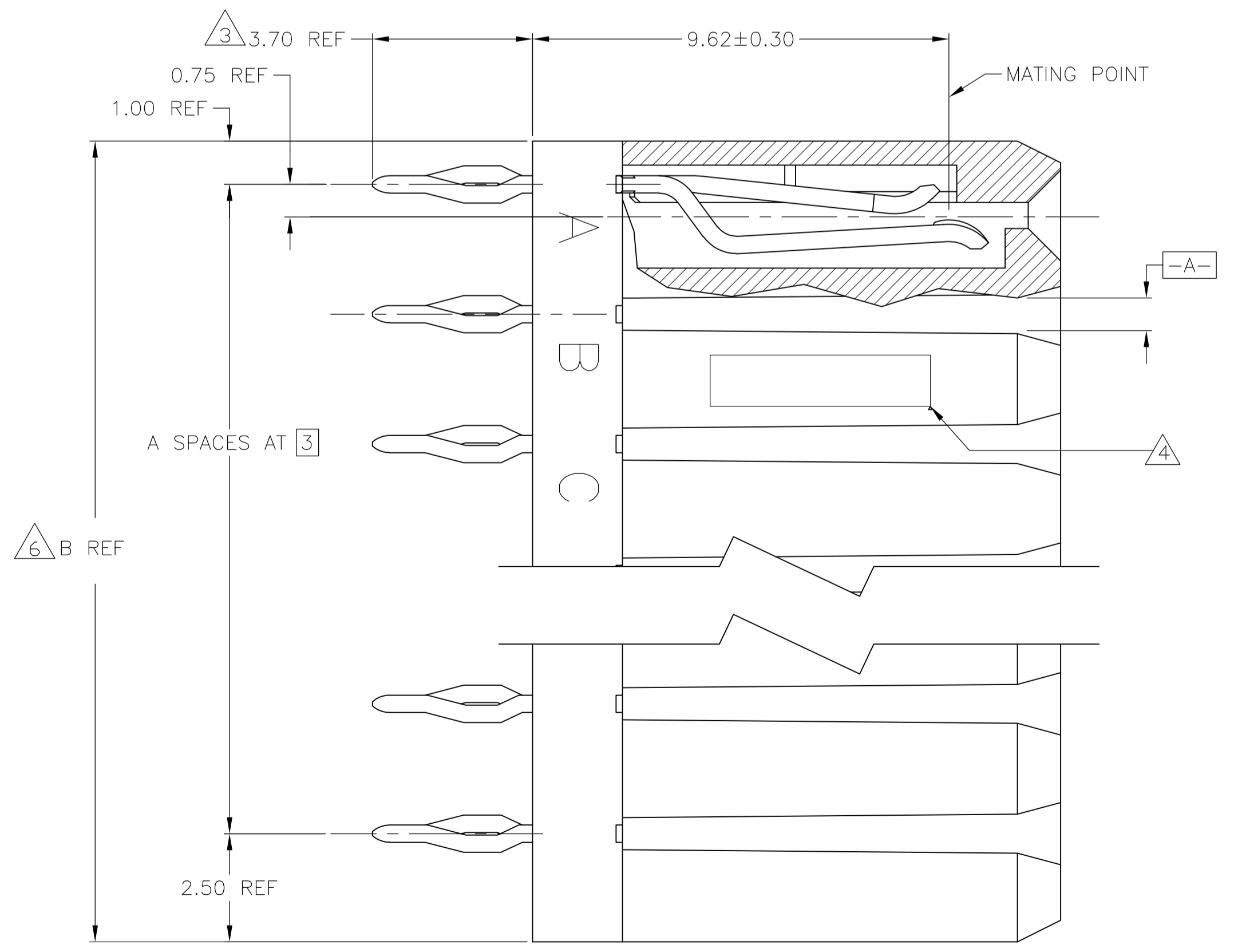
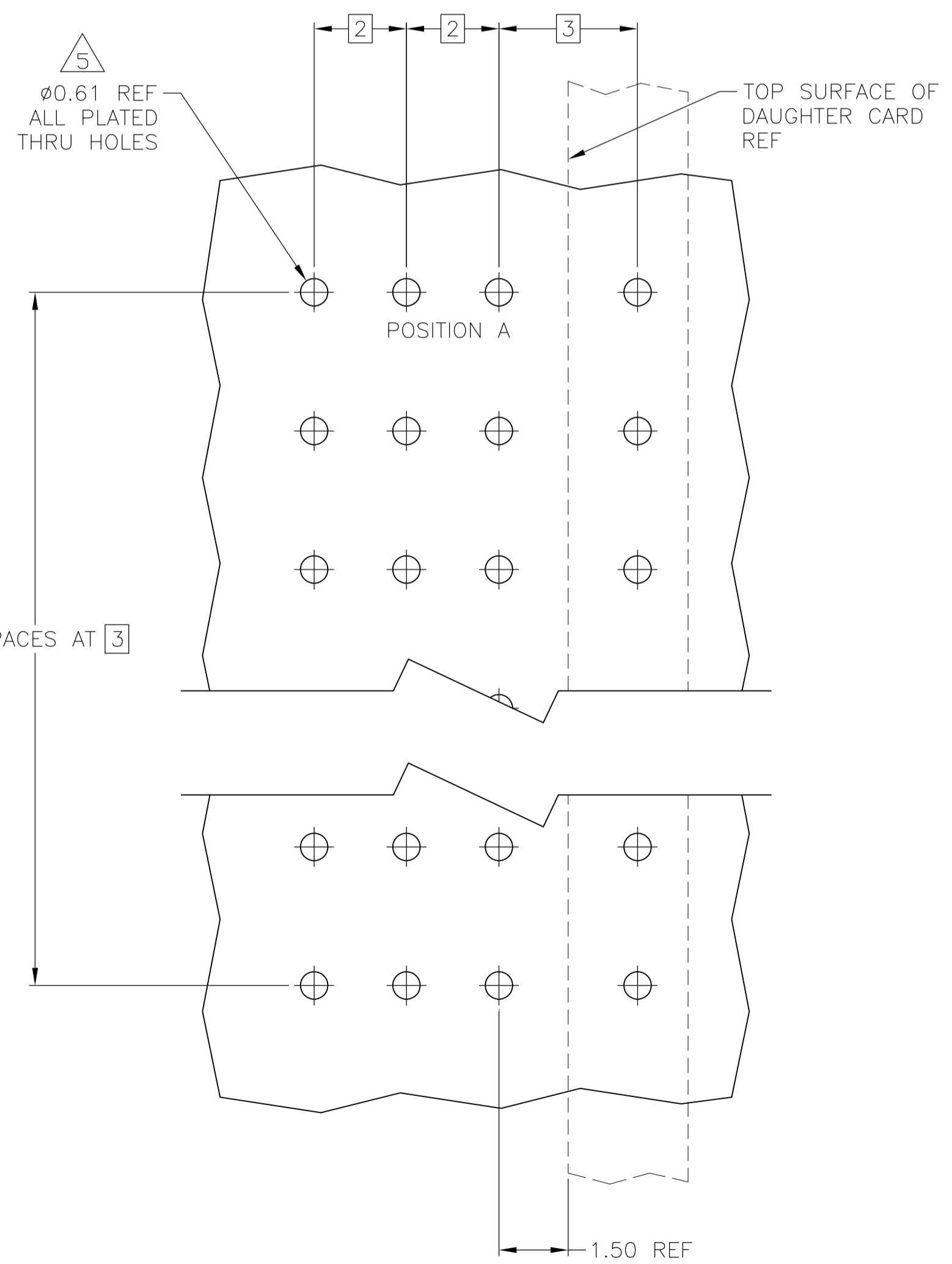
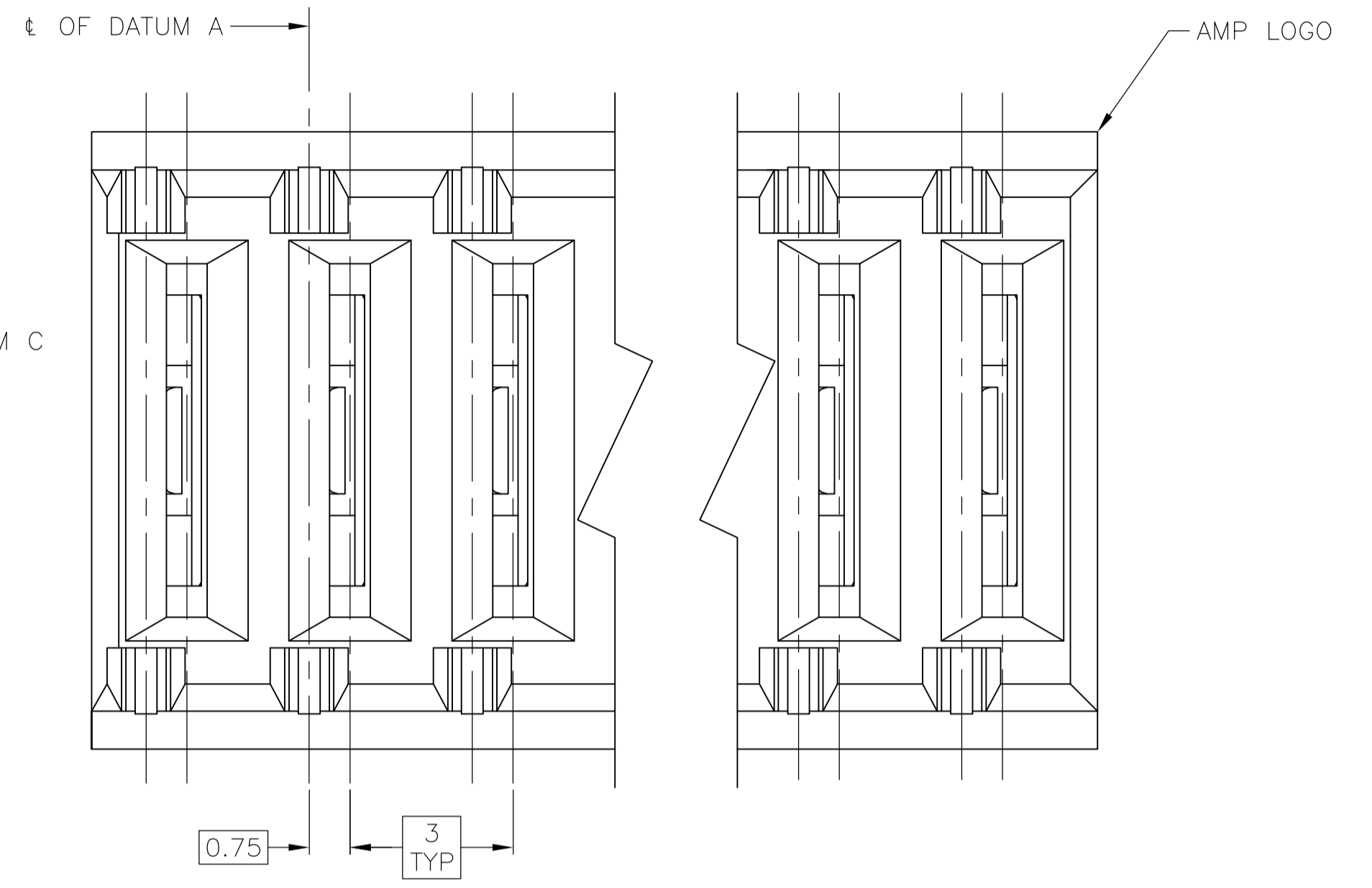
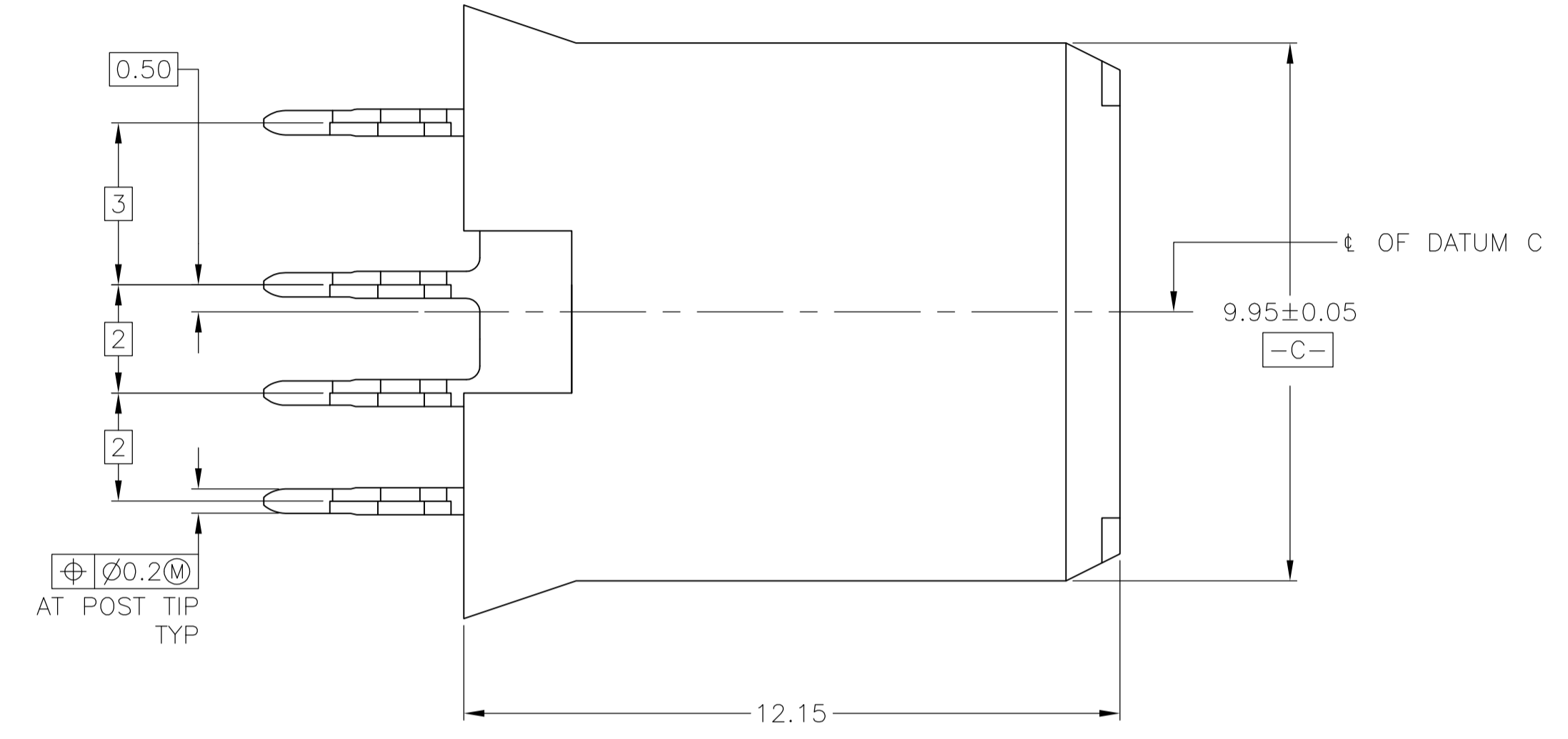
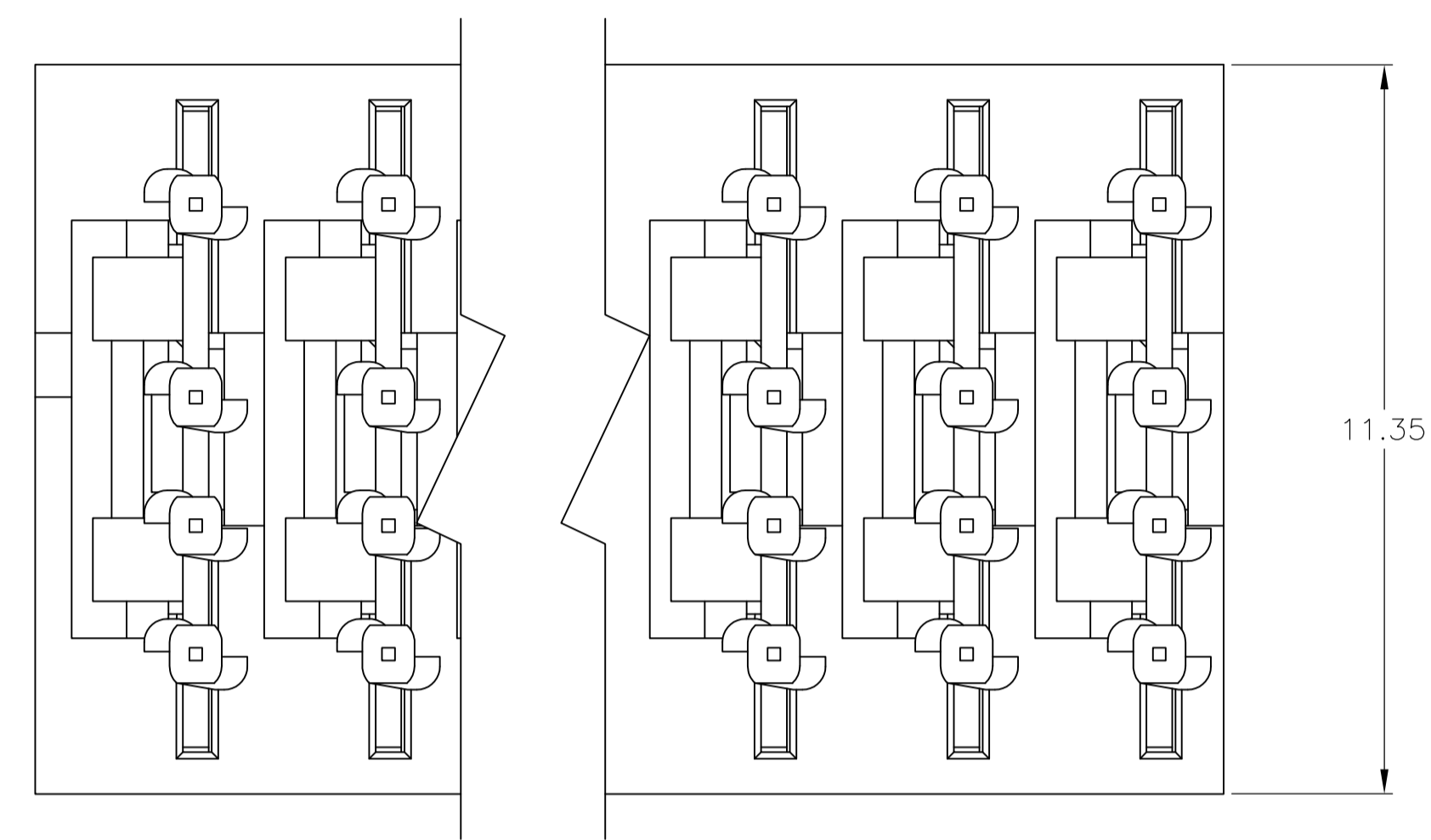
Email & Skype: info@chipsmall.com Web: www.chipsmall.com

Address: A1208, Overseas Decoration Building, #122 Zhenhua RD., Futian, Shenzhen, China



LOC		DIST		REVISIONS			
P	LTR	DESCRIPTION	DATE	DN	APVD		
P		REVISED PER ECO-11-004835	11MAR11	RK	HMR		

- 1 MATERIAL: HOUSING : POLYESTER, COLOR, GRAY. UL 94V-0.
CONTACT: PHOSPHOR BRONZE.
- 2 FINISH: CONTACT MATING AREA: 1.27um MINIMUM GOLD OR 0.08um MIN GOLD OVER
0.76um MIN PALLADIUM-NICKEL.
ACTION PIN AREA, 0.5um MINIMUM TIN PLATE,
ALL OVER 1.27um MINIMUM NICKEL UNDERPLATE.
- 3 TOLERANCE TO BE ±0.28 AFTER CONNECTOR IS APPLIED TO PC BOARD.
- 4 DATE CODE THIS APPROXIMATE AREA, OPPOSITE SIDE.
- 5 REFERENCE APPLICATION SPEC 114-1103 FOR
RECOMMENDED PLATED THRU HOLE DIAMETER AND
PLATING THICKNESS.
- 6 TOLERANCE TO BE +0.5/-0.1 BEFORE CONNECTOR IS APPLIED TO PC BOARD.
- 7 CURRENT RATING 10A/CONTACT PER PRODUCT SPEC 108-1651.



RECOMMENDED PCB HOLE LAYOUT

POSITION	B REF	A	PART NUMBER
12	36.5	11	5223995-9
11	33.5	10	5223995-8
10	30.5	9	5223995-7
9	27.5	8	5223995-6
8	24.5	7	5223995-5
7	21.5	6	5223995-4
6	18.5	5	5223995-3
5	15.5	4	5223995-2
4	12.5	3	5223995-1

THIS DRAWING IS A CONTROLLED DOCUMENT.

DIMENSIONS: mm	TOLERANCES UNLESS OTHERWISE SPECIFIED:	DIN B CARBO 14DEC04	DRW
	0 PLC ± -	DRW R PATTERSON 14DEC04	CHK
	1 PLC ± -	DRW R PATTERSON 14DEC04	APP'D
	2 PLC ± 0.13		NAME
	3 PLC ± -		PRODUCT SPEC
	4 PLC ± -		APPLICATION SPEC
	ANGLES ± -		SIZE
MATERIAL	FINISH	WEIGHT	SCALE
1	2	A1 00779 5223995	10:1
CUSTOMER DRAWING		SHEET 1 OF 1	REV P

STE TE Connectivity
RECEPTACLE ASSEMBLY, UNIVERSAL POWER MODULE