



Chipsmall Limited consists of a professional team with an average of over 10 year of expertise in the distribution of electronic components. Based in Hongkong, we have already established firm and mutual-benefit business relationships with customers from,Europe,America and south Asia,supplying obsolete and hard-to-find components to meet their specific needs.

With the principle of "Quality Parts,Customers Priority,Honest Operation,and Considerate Service",our business mainly focus on the distribution of electronic components. Line cards we deal with include Microchip,ALPS,ROHM,Xilinx,Pulse,ON,Everlight and Freescale. Main products comprise IC,Modules,Potentiometer,IC Socket,Relay,Connector.Our parts cover such applications as commercial,industrial, and automotives areas.

We are looking forward to setting up business relationship with you and hope to provide you with the best service and solution. Let us make a better world for our industry!



Contact us

Tel: +86-755-8981 8866 Fax: +86-755-8427 6832

Email & Skype: info@chipsmall.com Web: www.chipsmall.com

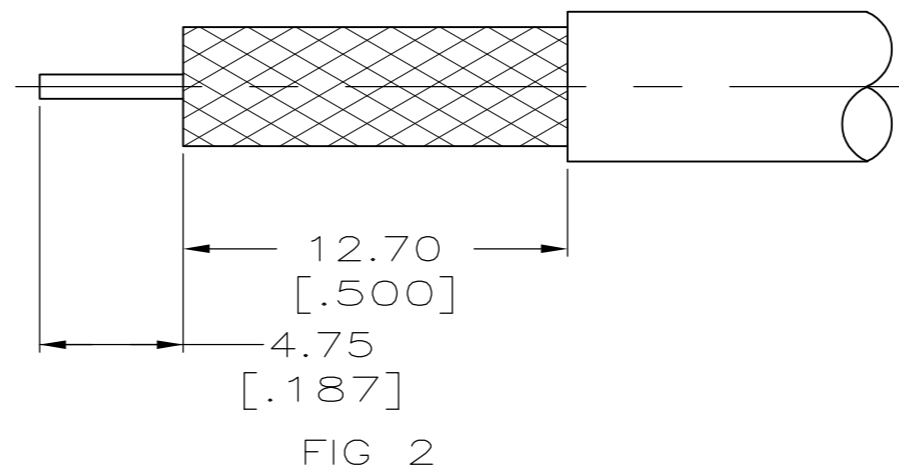
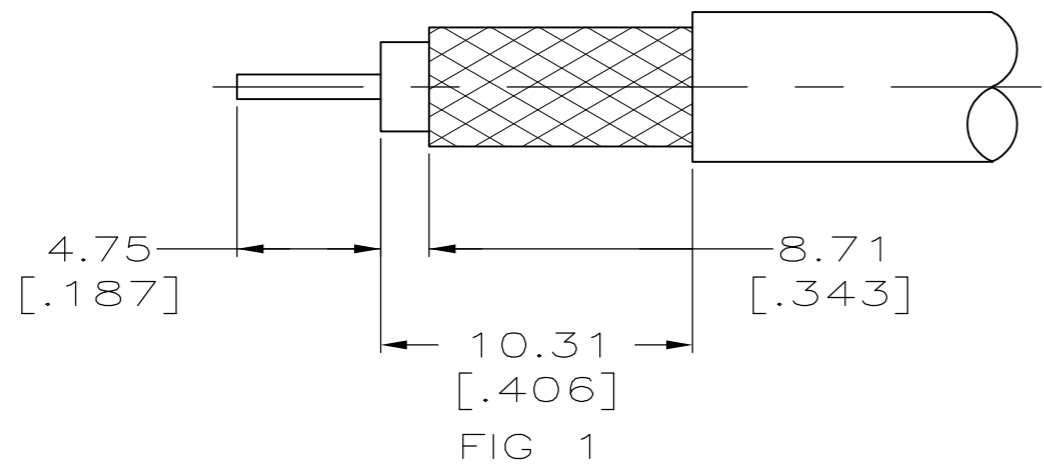
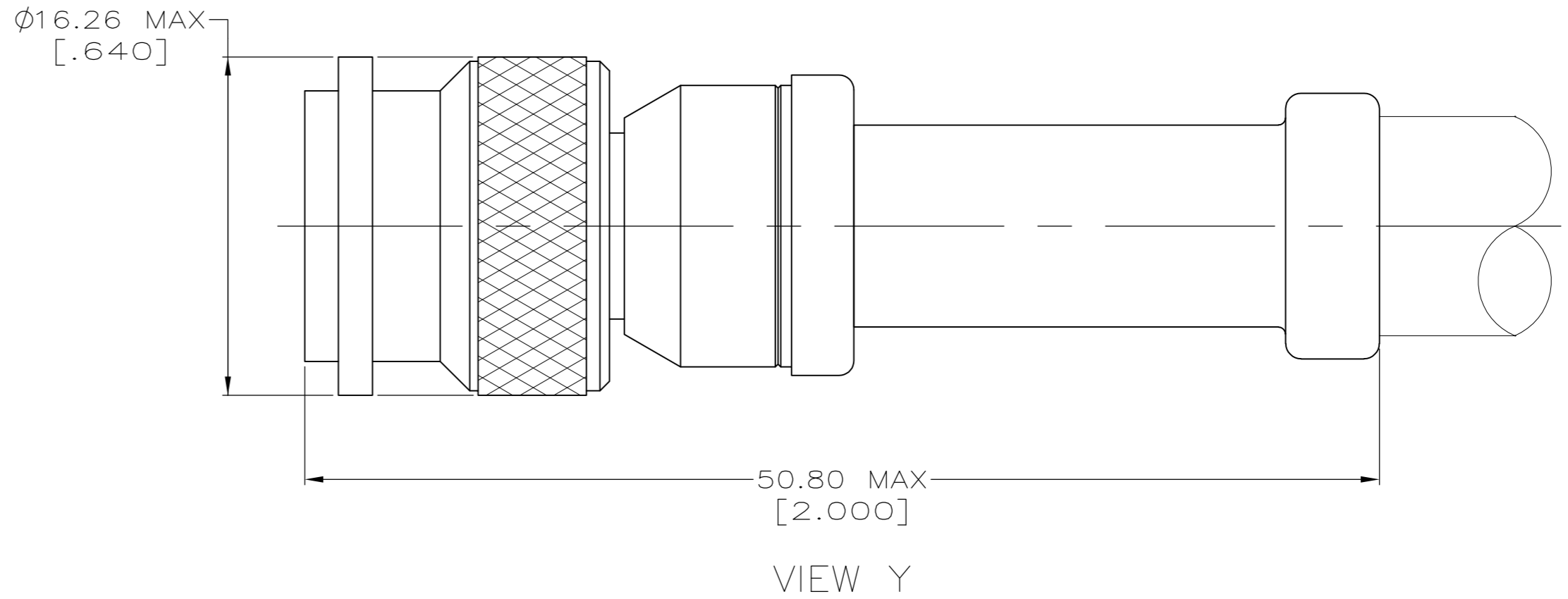
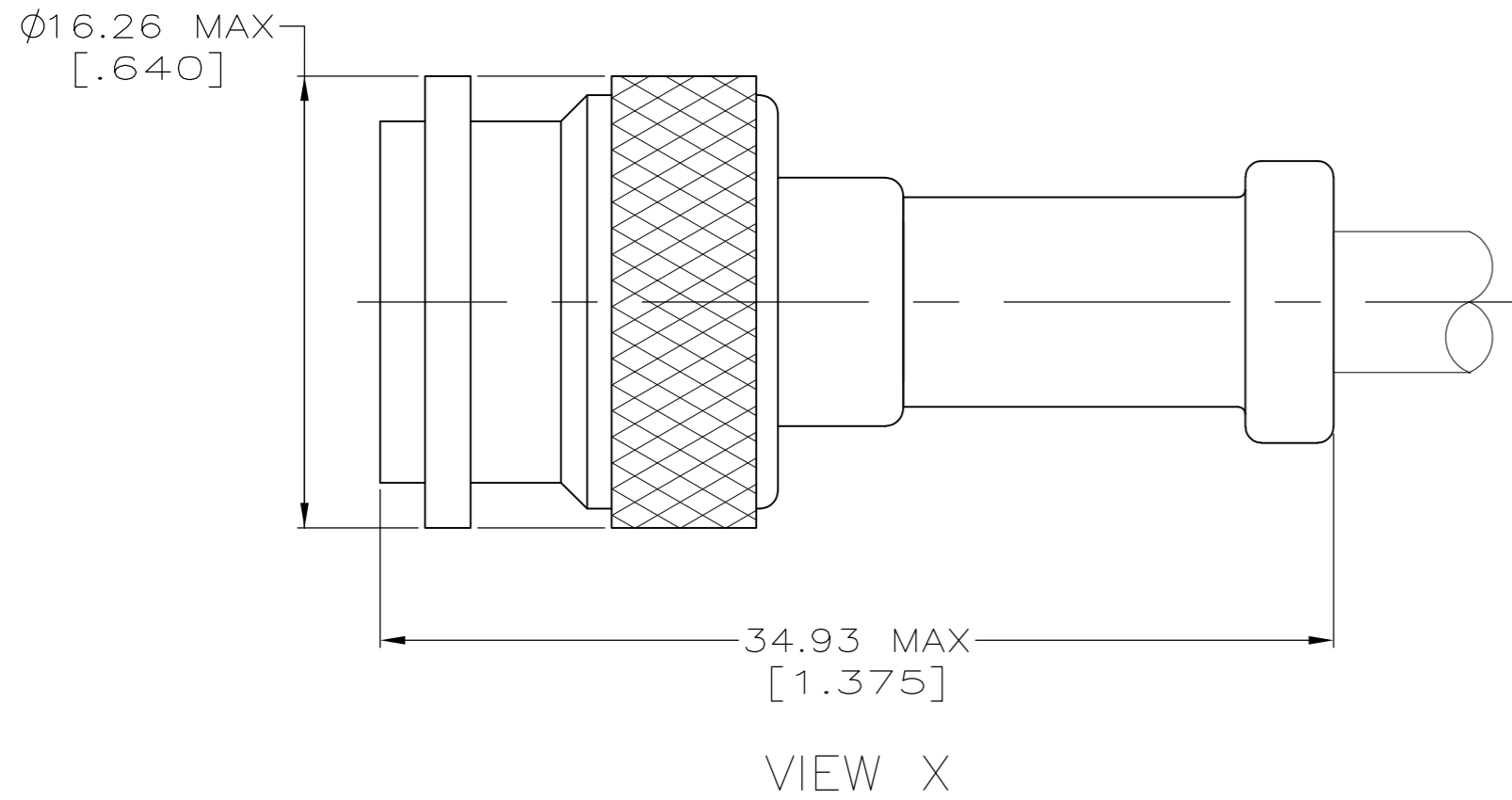
Address: A1208, Overseas Decoration Building, #122 Zhenhua RD., Futian, Shenzhen, China



THIS DRAWING IS UNPUBLISHED. RELEASED FOR PUBLICATION
 © COPYRIGHT - By - ALL RIGHTS RESERVED.

LOC		DIST		REVISIONS			
P	LTR	DESCRIPTION		DATE	DWN	APVD	
-	-	P	P	REVISED PER ECO-11-005030	11MAR11	RK	HMR

1. SEE I.S. 2299-1



RECOMMENDED STRIP LENGTH

RG-9/U, 9A/U, 9B/U, 214/U	2	220015-1	332022	9-331987-1	225596-2	5-225593-0	Y	522555-8				
RG-8/U, 8A/U, 213/U	2	220015-1	332022	9-331987-0	225596-2	5-225593-0	Y	522555-7				
RG-142/U, 142A/U, 142B/U	1	220045-2	225592-2	9-225560-0	225467-6	225457-2	X	522555-6				
RG-141/U, 141A/U	1	220045-2	225592-1	9-225560-1	225467-6	225457-2	X	522555-5				
RG-58A/U, 58C/U	1	220045-2	225592-1	9-225560-1	225467-2	225457-2	X	522555-2				
FOR USE WITH CABLE	FIGURE	CRIMP TOOL	④	SEAL QTY=1	③	FERRULE QTY=1	②	CONTACT QTY=1	①	PLUG ASSEMBLY QTY=1	VIEW	PART NUMBER

THIS DRAWING IS A CONTROLLED DOCUMENT.

DWN A. FERNANDEZ-DOCK5 31JAN2005	TE Connectivity
CHK J. HAVENER 31JAN2005	
APVD J. LIPPERT 31JAN2005	NAME PLUG, DUAL CRIMP, TNC
PRODUCT SPEC APPLICATION SPEC	SIZE A2
WEIGHT -	CAGE CODE 00779
CUSTOMER DRAWING	DRAWING NO C=5225555
SCALE 4:1	SHEET 1 of 1
REV P	RESTRICTED TO -