



Chipsmall Limited consists of a professional team with an average of over 10 year of expertise in the distribution of electronic components. Based in Hongkong, we have already established firm and mutual-benefit business relationships with customers from,Europe,America and south Asia,supplying obsolete and hard-to-find components to meet their specific needs.

With the principle of "Quality Parts,Customers Priority,Honest Operation,and Considerate Service",our business mainly focus on the distribution of electronic components. Line cards we deal with include Microchip,ALPS,ROHM,Xilinx,Pulse,ON,Everlight and Freescale. Main products comprise IC,Modules,Potentiometer,IC Socket,Relay,Connector.Our parts cover such applications as commercial,industrial, and automotives areas.

We are looking forward to setting up business relationship with you and hope to provide you with the best service and solution. Let us make a better world for our industry!



Contact us

Tel: +86-755-8981 8866 Fax: +86-755-8427 6832

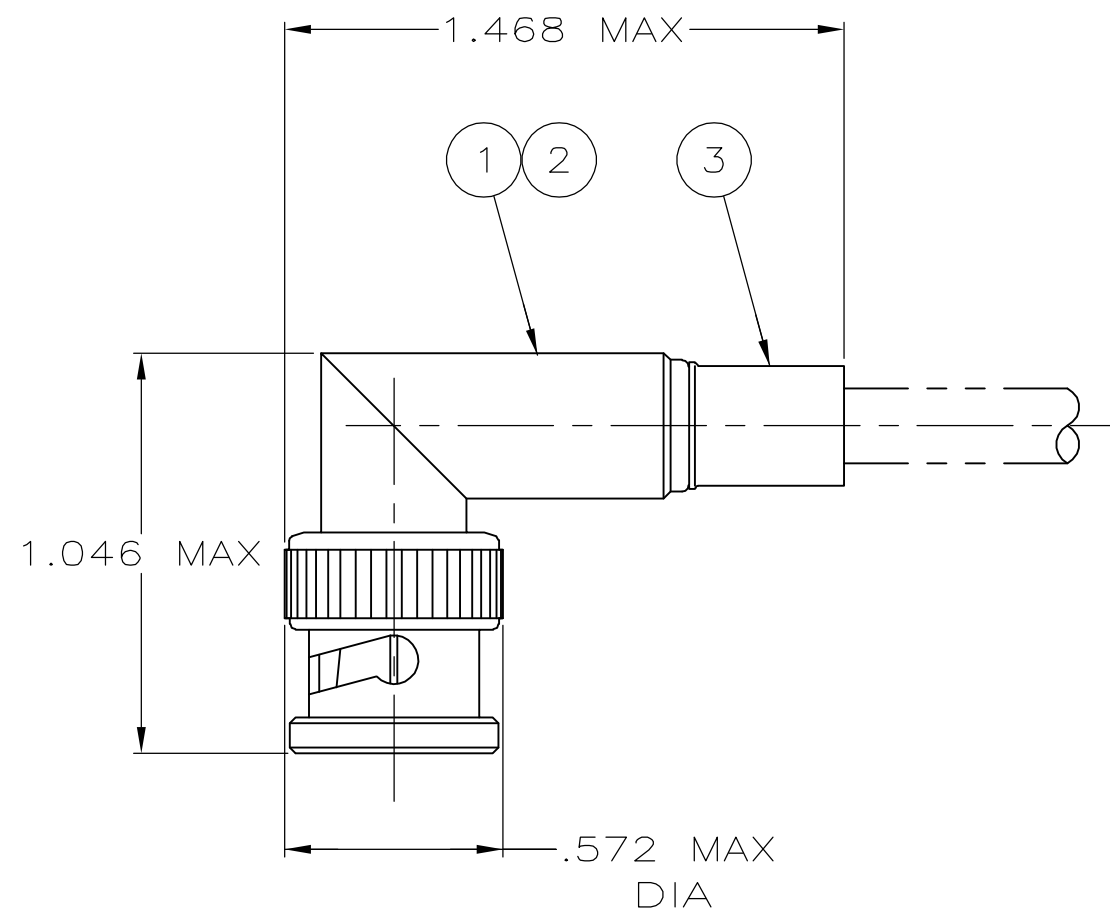
Email & Skype: info@chipsmall.com Web: www.chipsmall.com

Address: A1208, Overseas Decoration Building, #122 Zhenhua RD., Futian, Shenzhen, China

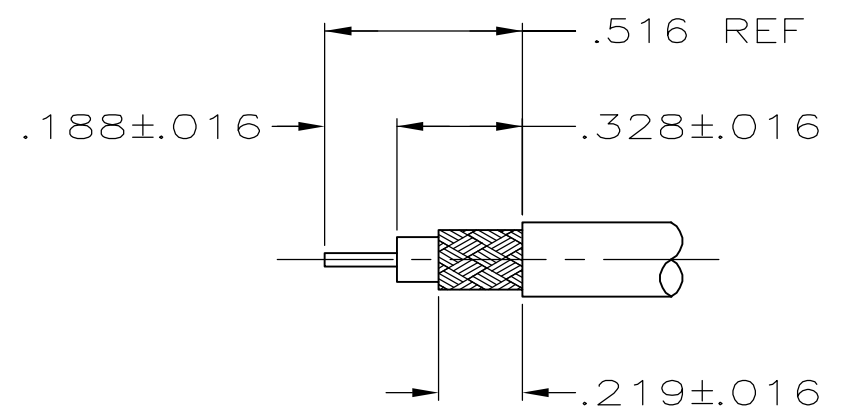


THIS DRAWING IS UNPUBLISHED. RELEASED FOR PUBLICATION
 © COPYRIGHT BY TYCO ELECTRONICS CORPORATION. ALL RIGHTS RESERVED.

LOC	DIST	REVISIONS					
AJ	16	P	LTR	DESCRIPTION	DATE	DWN	APVD
		A		REVISED PER EC OS14-0158-05	27JULY05	BM	JL



1. USE HAND TOOL 69478-1.
2. SEE INSTRUCTION SHEET 408-1914-5.



RG 142/U, 142A/U, & 142B/U	9-225382-1	1-331369-2	225975-1	5225973-4
RG 58/U, 58A/U, 58B/U, & 58C/U	9-225381-1	331369	225975-1	5225973-1
CABLE	③ FERRULE QTY=1	② CONTACT QTY=1	① PLUG ASSY QTY=1	PART NUMBER

RECOMMENDED STRIP LENGTH

THIS DRAWING IS A CONTROLLED DOCUMENT.		DWN J. HAVENER 27JUL2005	Tyco Electronics Corporation Harrisburg, Pa 17105-3608	
DIMENSIONS: INCHES		CHK J. HAVENER 27JUL2005		
TOLERANCES UNLESS OTHERWISE SPECIFIED:		APVD J. LIPPERT 27JUL2005	NAME PLUG, RIGHT ANGLE, DUAL CRIMP, BNC	
0 PLC ± - 1 PLC ± - 2 PLC ± - 3 PLC ± - 4 PLC ± - ANGLES ± -		PRODUCT SPEC 108-12020	RESTRICTED TO	
MATERIAL		APPLICATION SPEC	SIZE A3	CAGE CODE 00779
FINISH		WEIGHT	DRAWING NO C-5225973	REV A
CUSTOMER DRAWING			SCALE 2:1	SHEET 1 OF 1