



Chipsmall Limited consists of a professional team with an average of over 10 year of expertise in the distribution of electronic components. Based in Hongkong, we have already established firm and mutual-benefit business relationships with customers from,Europe,America and south Asia,supplying obsolete and hard-to-find components to meet their specific needs.

With the principle of “Quality Parts,Customers Priority,Honest Operation,and Considerate Service”,our business mainly focus on the distribution of electronic components. Line cards we deal with include Microchip,ALPS,ROHM,Xilinx,Pulse,ON,Everlight and Freescale. Main products comprise IC,Modules,Potentiometer,IC Socket,Relay,Connector.Our parts cover such applications as commercial,industrial, and automotives areas.

We are looking forward to setting up business relationship with you and hope to provide you with the best service and solution. Let us make a better world for our industry!



Contact us

Tel: +86-755-8981 8866 Fax: +86-755-8427 6832

Email & Skype: info@chipsmall.com Web: www.chipsmall.com

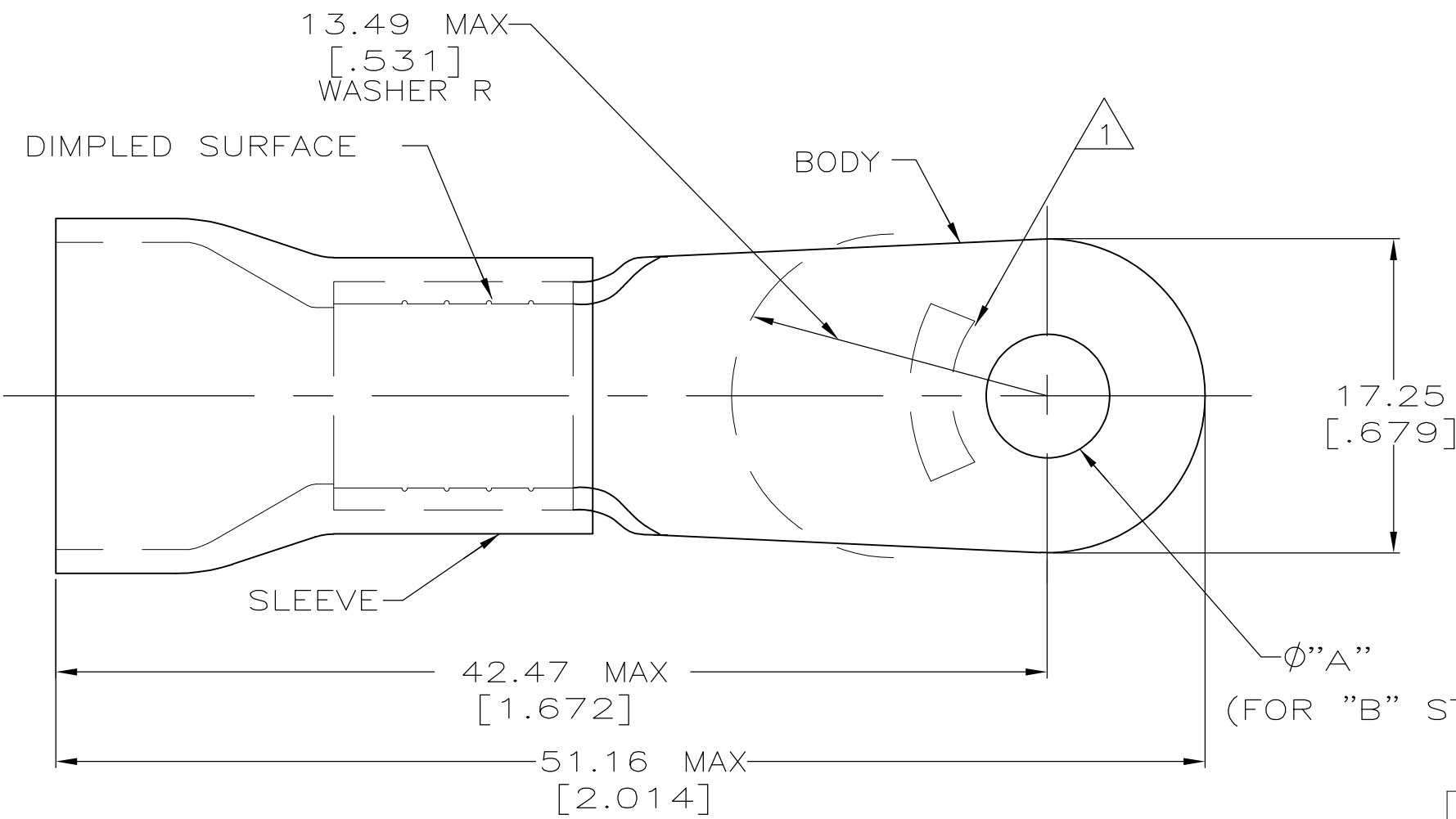
Address: A1208, Overseas Decoration Building, #122 Zhenhua RD., Futian, Shenzhen, China



THIS DRAWING IS UNPUBLISHED. RELEASED FOR PUBLICATION
 © COPYRIGHT BY TYCO ELECTRONICS CORPORATION. ALL INTERNATIONAL RIGHTS RESERVED.

LOC	DIST	REVISIONS					
G	14	P	LTR	DESCRIPTION	DATE	DWN	APVD
			U2	REVISED PER ECO-11-002228	11FEB11	HMR	DR

AMP WIRE RANGE	RA FILE E13288	SR LR7189 Certified
4 AWG STRANDED	4 AWG STRANDED	4 AWG STRANDED



- 1 STAMP AMP 4* LOCATE APPROX AS SHOWN
- 2 TONGUE MATERIAL THK 1.22±0.08 [.048±.003]
- 3 SEE TABLE FOR WIRE INSULATION DIA MAX
- 4 FOREIGN PRODUCTION ONLY
- 5 TAPE ITEMS ARE ON 30.48[1.200] CENTERS
- 6 OBSOLETE PARTS.
- 7 NOTE DELETED

WIRE INSULATION DIA	"B"	"A"	QTY	PACKAGE TYPE	PART NO
11.43 [.450]	3/8	9.91±0.13 [.390±.005]	20	LOOSE PC, BOX SPL	6-52266-5
	5/16	8.33±0.13 [.328±.005]	500	ON TAPE	1-52266-0 52266-9
	1/2	13.08±0.13 [.515±.005]	-	LOOSE PC	6-52266-5 4
3/8	9.91±0.13 [.390±.005]	100	52266-4		
5/16	8.33±0.13 [.328±.005]	100	52266-3		
1/2	13.08±0.13 [.515±.005]	-	6-52266-2 4		
13.08 [.515]	3/8	9.91±0.13 [.390±.005]	100		52266-1
	5/16	8.33±0.13 [.328±.005]	100		52266

AMP INCORPORATED
CUSTOMER SERVICE SYSTEMS

FOR ADDITIONAL PRODUCT INFORMATION OR COPIES OF DRAWINGS AND TECHNICAL DOCUMENTS: PRODUCT INFORMATION CENTER 1-800-522-6752

FOR APPLICATION TOOLING INFORMATION: TOOLING ASSISTANCE CENTER 1-800-722-1111

FOR ORDER ENTRY: 1-800-526-5142

MAX RECOMMENDED OPERATING TEMPERATURE: 105° C

VOLTAGE RATING: 600 V MAX

CIRCULAR MIL AREA: 16.77-26.65mm² [33,100-52,600] STRANDED

THIS DRAWING IS A CONTROLLED DOCUMENT FOR AMP INCORPORATED. IT IS SUBJECT TO CHANGE AND THE CONTROLLING ENGINEERING ORGANIZATION SHOULD BE CONTACTED FOR THE LATEST REVISION.

THIS DRAWING IS A CONTROLLED DOCUMENT.

DIMENSIONS: mm [INCHES]

TOLERANCES UNLESS OTHERWISE SPECIFIED:

0 PLC	± -
1 PLC	± -
2 PLC	± 0.20[.008]
3 PLC	± -
4 PLC	± -
ANGLES	± -

MATERIAL: COPPER PER ASTM B-152 PVC, COLOR: YELLOW

FINISH: TIN PLATE PER ASTM-B545

DWN: S.S. GOULDEN 9-29-93

CHK: R. HERSEY 9-29-93

APVD: B. BARE 9-29-93

PRODUCT SPEC: NOT AVAILABLE

APPLICATION SPEC: 114-2161

WEIGHT: -

Tyco Electronics Tyco Electronics Corporation Harrisburg, PA 17105-3608

NAME: TERMINAL, RING TONGUE, PLASTI-GRIP™ WIRE SIZE, 4 AWG

SIZE: A3 CAGE CODE: 00779 DRAWING NO: C-52266 RESTRICTED TO: -

CUSTOMER DRAWING SCALE: 4:1 SHEET: 1 OF 1 REV: U2