



Chipsmall Limited consists of a professional team with an average of over 10 year of expertise in the distribution of electronic components. Based in Hongkong, we have already established firm and mutual-benefit business relationships with customers from,Europe,America and south Asia,supplying obsolete and hard-to-find components to meet their specific needs.

With the principle of “Quality Parts,Customers Priority,Honest Operation,and Considerate Service”,our business mainly focus on the distribution of electronic components. Line cards we deal with include Microchip,ALPS,ROHM,Xilinx,Pulse,ON,Everlight and Freescale. Main products comprise IC,Modules,Potentiometer,IC Socket,Relay,Connector.Our parts cover such applications as commercial,industrial, and automotives areas.

We are looking forward to setting up business relationship with you and hope to provide you with the best service and solution. Let us make a better world for our industry!



Contact us

Tel: +86-755-8981 8866 Fax: +86-755-8427 6832

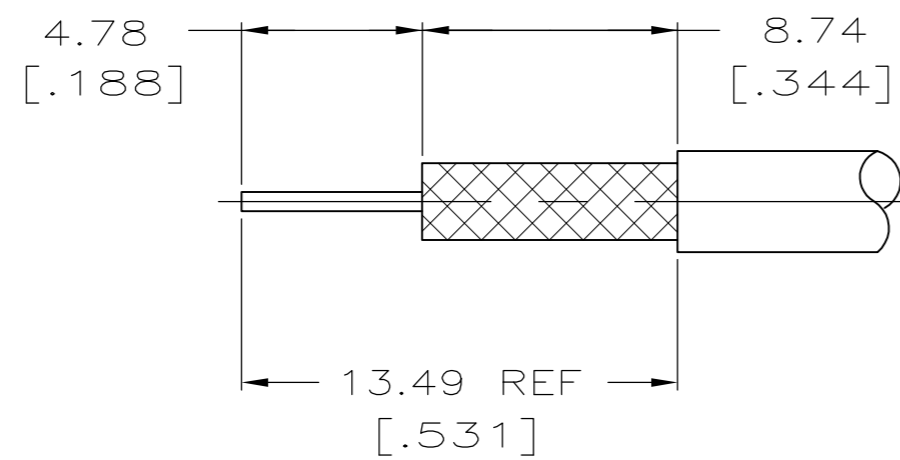
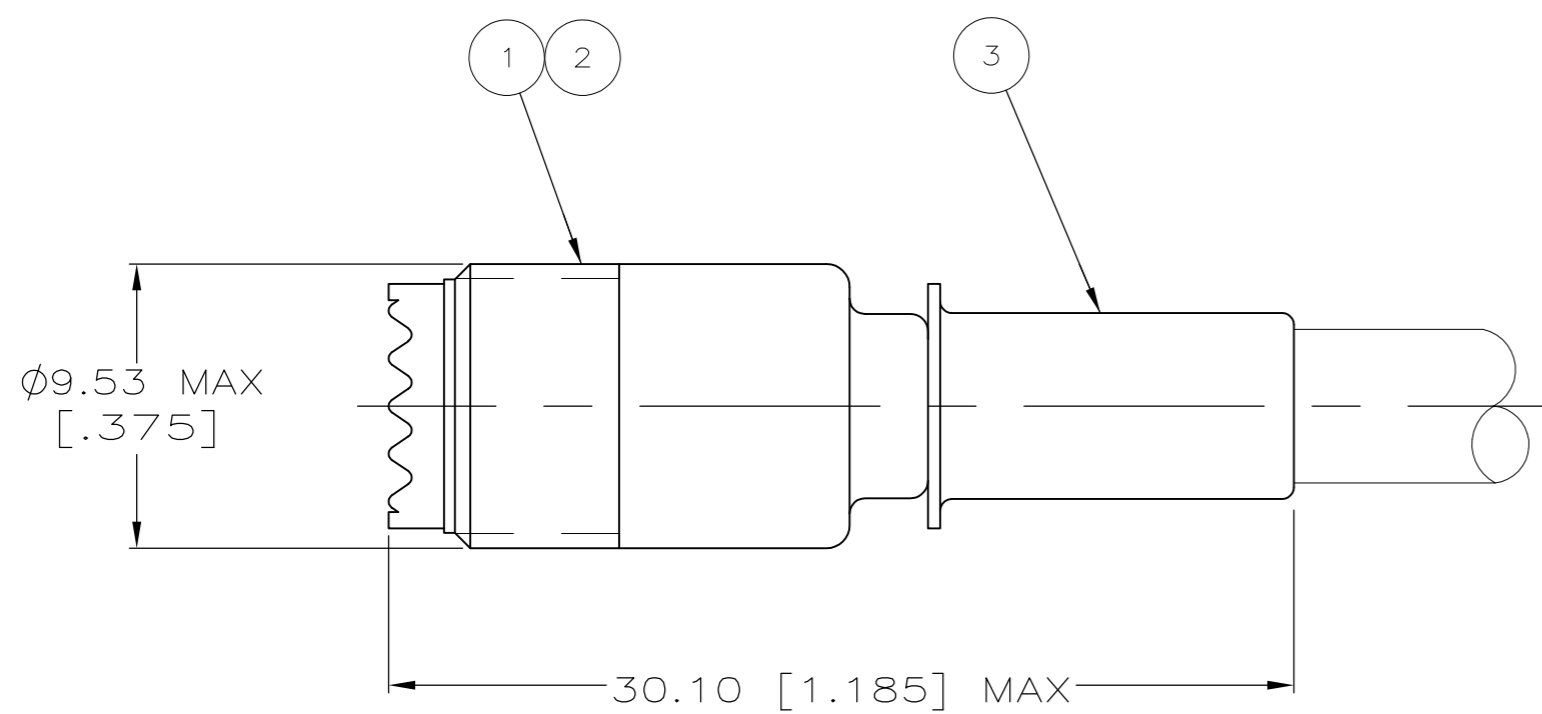
Email & Skype: info@chipsmall.com Web: www.chipsmall.com

Address: A1208, Overseas Decoration Building, #122 Zhenhua RD., Futian, Shenzhen, China



THIS DRAWING IS UNPUBLISHED. RELEASED FOR PUBLICATION
 © COPYRIGHT BY TYCO ELECTRONICS CORPORATION. ALL RIGHTS RESERVED.

LOC	DIST	REVISIONS			
P	LTR	DESCRIPTION	DATE	DWN	APVD
AJ	16	B	REVISED PER ECO 07-018383	08AUG2007	DW MS



RECOMMENDED STRIP LENGTH

1. PARTS PACKAGED UNASSEMBLED

- ② CRIMP WITH TOOL: 69710-1 USING DIE 58158-1
- ③ CRIMP WITH TOOL: 220149-1 OR 58124-1
- ④ CRIMP WITH TOOL: AMP-O-ELECTRIC 220152-1 USING DIE 220162-1

②③④	RG-58/U,58A/U,58B/U & 58C/U	226599-2	226610-2	9-226850-0	5226602-1
CRIMP TOOL	FOR USE WITH:	③ FERRULE QTY=1	② CONTACT QTY=1	① JACK ASSY QTY=1	PART NO

THIS DRAWING IS A CONTROLLED DOCUMENT.		DWN J. ALCORTA - DOCK5 25APR2005	Tyco Electronics Corporation Harrisburg, PA 17105-3608																				
DIMENSIONS: mm [INCHES]		CHK J. HAVENER 25APR2005	NAME -																				
TOLERANCES UNLESS OTHERWISE SPECIFIED:		APVD G. MICHAEL 25APR2005	PRODUCT SPEC -																				
<table border="0"> <tr><td>0 PLC</td><td>±</td><td>-</td></tr> <tr><td>1 PLC</td><td>±</td><td>-</td></tr> <tr><td>2 PLC</td><td>±</td><td>0.41 [.016]</td></tr> <tr><td>3 PLC</td><td>±</td><td>-</td></tr> <tr><td>4 PLC</td><td>±</td><td>-</td></tr> <tr><td>ANGLES</td><td>±</td><td>-</td></tr> </table>		0 PLC	±	-	1 PLC	±	-	2 PLC	±	0.41 [.016]	3 PLC	±	-	4 PLC	±	-	ANGLES	±	-	APPLICATION SPEC -	SIZE A2	CAGE CODE 00779	DRAWING NO C=5226602
0 PLC	±	-																					
1 PLC	±	-																					
2 PLC	±	0.41 [.016]																					
3 PLC	±	-																					
4 PLC	±	-																					
ANGLES	±	-																					
MATERIAL -	FINISH -	WEIGHT -	RESTRICTED TO -		SCALE 4:1																		
CUSTOMER DRAWING			SHEET 1 of 1	REV B																			