



Chipsmall Limited consists of a professional team with an average of over 10 year of expertise in the distribution of electronic components. Based in Hongkong, we have already established firm and mutual-benefit business relationships with customers from,Europe,America and south Asia,supplying obsolete and hard-to-find components to meet their specific needs.

With the principle of “Quality Parts,Customers Priority,Honest Operation,and Considerate Service”,our business mainly focus on the distribution of electronic components. Line cards we deal with include Microchip,ALPS,ROHM,Xilinx,Pulse,ON,Everlight and Freescale. Main products comprise IC,Modules,Potentiometer,IC Socket,Relay,Connector.Our parts cover such applications as commercial,industrial, and automotives areas.

We are looking forward to setting up business relationship with you and hope to provide you with the best service and solution. Let us make a better world for our industry!



## Contact us

Tel: +86-755-8981 8866 Fax: +86-755-8427 6832

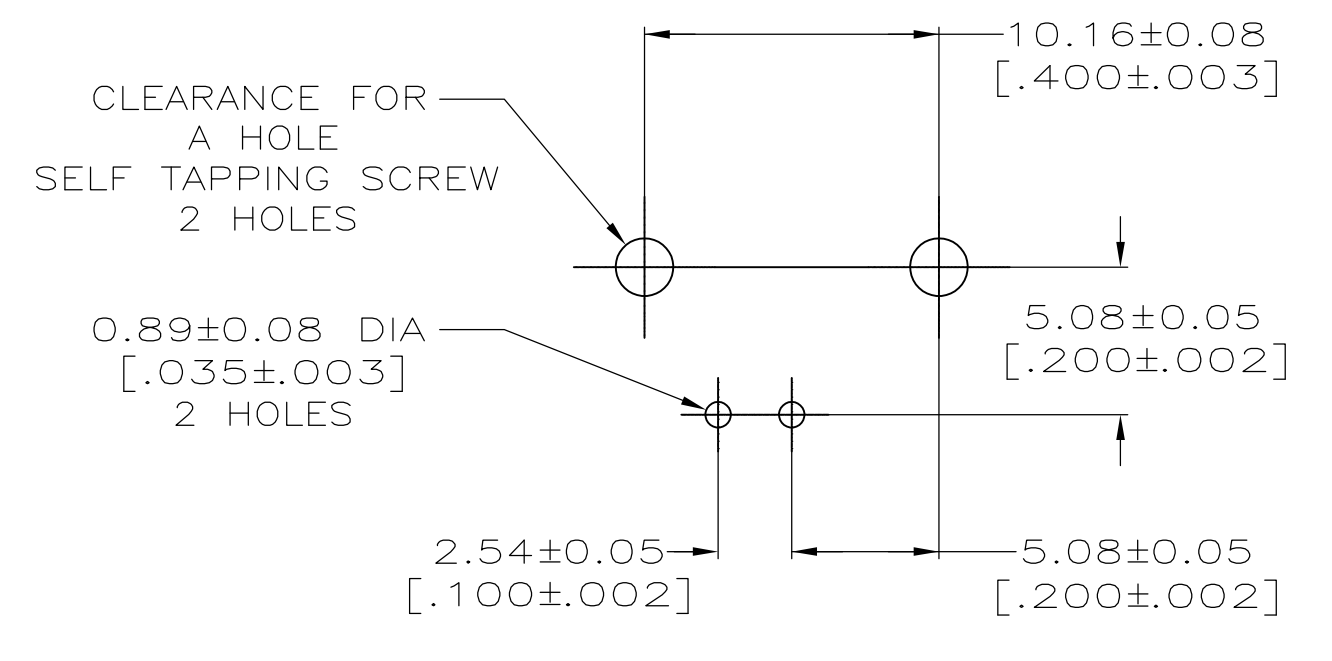
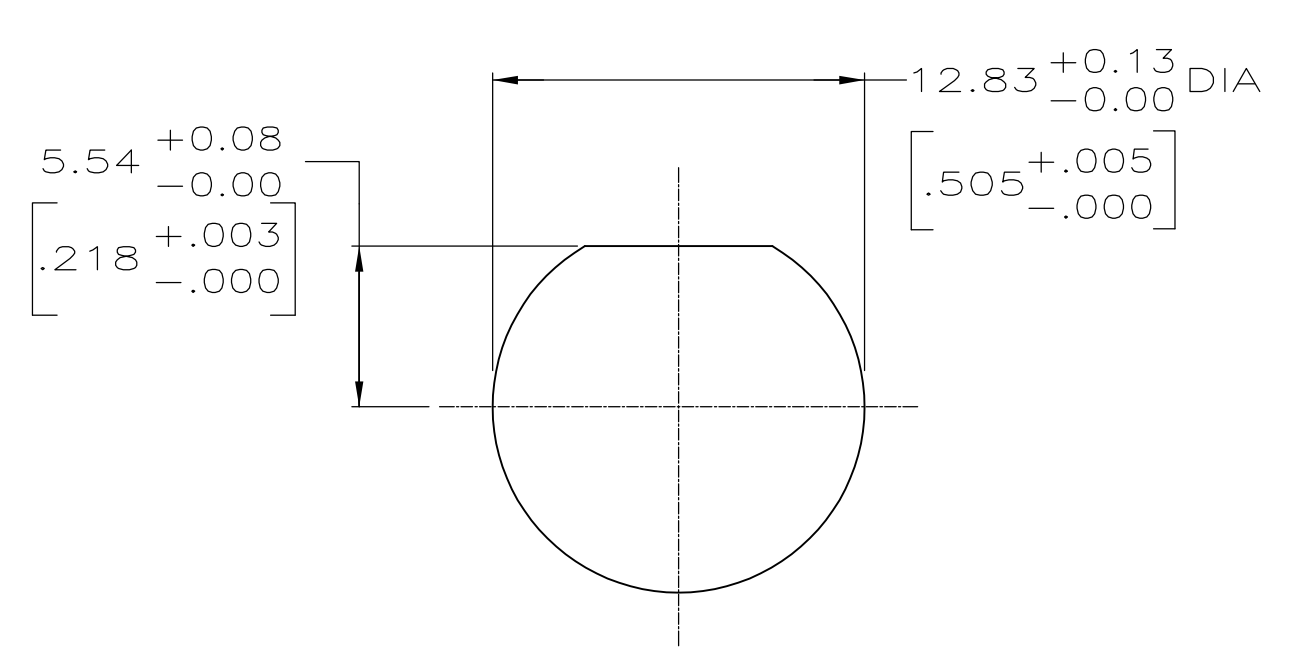
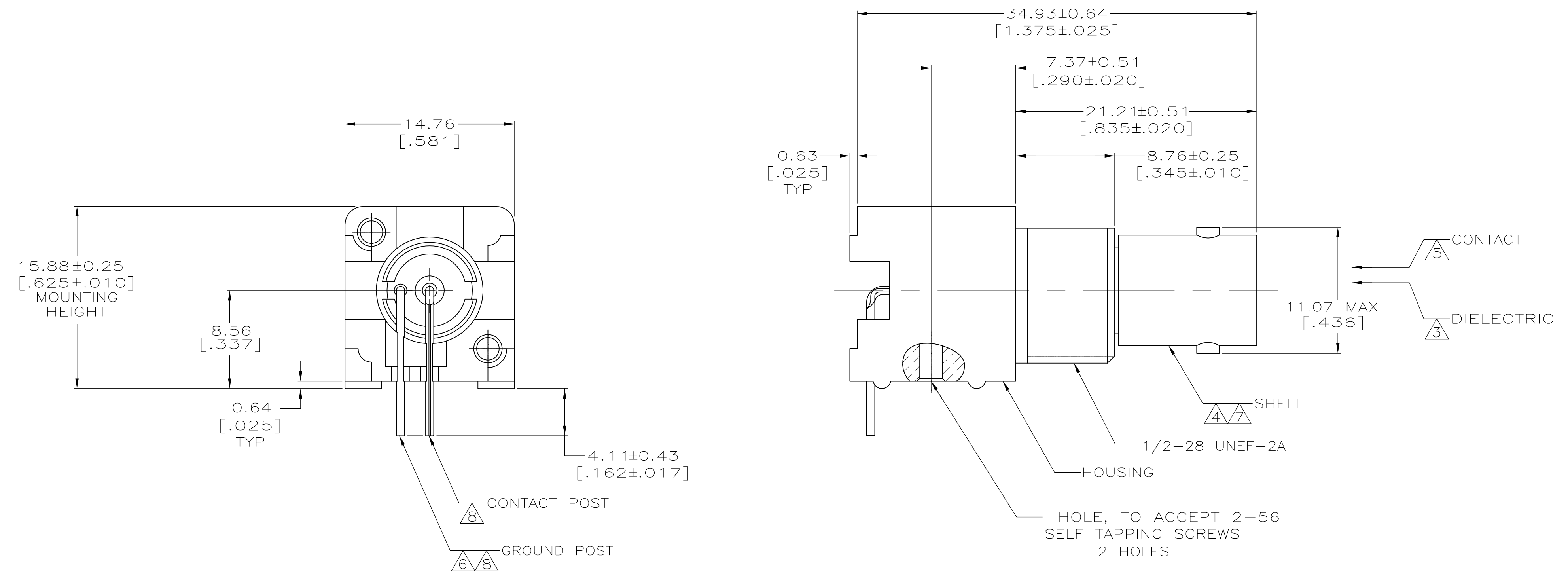
Email & Skype: info@chipsmall.com Web: www.chipsmall.com

Address: A1208, Overseas Decoration Building, #122 Zhenhua RD., Futian, Shenzhen, China



LOC	DIST	REVISIONS					
AJ	16	P	LTR	DESCRIPTION	DATE	DWN	APPD
		B1		REVISED PER ECO-11-005030	11MAR11	RK	HMR

- ① POLYESTER PBT PER MIL-M-24519, TYPE GPT-15F, UL94V-O RATED, COLOR:NATURAL
  - ② POLYESTER PBT PER MIL-M-24519, TYPE GPT-15F, UL94V-O RATED, COLOR:BLACK
  - ③ POLYMETHYLPENTENE, GENERAL PURPOSE.
  - ④ ZINC PER QQ-Z-363.
  - ⑤ PHOSPHOR BRONZE PER QQ-B-750.
  - ⑥ BRASS PER ASTM-B-453.
  - ⑦ NICKEL PLATE PER QQ-N-290, 3.81  $\mu\text{m}$  [.000150] MINIMUM THICK.
  - ⑧ TIN PLATE PER ASTM-B-545, 3.81  $\mu\text{m}$  [.000150] MINIMUM THICK.
  - ⑨ GOLD PLATE PER MIL-G-45204, 0.76  $\mu\text{m}$  [.000030] MINIMUM THICK.
10. SEE INSTRUCTION SHEET 408-2769.



⑨	②	5226990-6
⑨	①	5226990-3
⑧	①	5226990-1
CONTACT PLATING	HOUSING MATERIAL	PART NUMBER

THIS DRAWING IS A CONTROLLED DOCUMENT.		DWN L. VARELA - DOCK5 20APR2005	STE TE Connectivity	
DIMENSIONS: mm [INCHES]		CHK J. HAVENER 20APR2005	NAME S. BURKHOLDER	
TOLERANCES UNLESS OTHERWISE SPECIFIED:		APVD S. BURKHOLDER 20APR2005	PRODUCT SPEC 108-12078	
0 PLC $\pm$ -		APPLICATION SPEC		
1 PLC $\pm$ -		SIZE A1		
2 PLC $\pm$ 0.20 [008]		CAGE CODE 00779		
3 PLC $\pm$ -		DRAWING NO 5226990		
4 PLC $\pm$ -		RESTRICTED TO		
ANGLES $\pm$ -		SCALE 4:1		
MATERIAL 1 THRU 6	FINISH 7 THRU 9	WEIGHT -	SHEET 1 OF 1	REV B1
CUSTOMER DRAWING				