



Chipsmall Limited consists of a professional team with an average of over 10 year of expertise in the distribution of electronic components. Based in Hongkong, we have already established firm and mutual-benefit business relationships with customers from,Europe,America and south Asia,supplying obsolete and hard-to-find components to meet their specific needs.

With the principle of "Quality Parts,Customers Priority,Honest Operation,and Considerate Service",our business mainly focus on the distribution of electronic components. Line cards we deal with include Microchip,ALPS,ROHM,Xilinx,Pulse,ON,Everlight and Freescale. Main products comprise IC,Modules,Potentiometer,IC Socket,Relay,Connector.Our parts cover such applications as commercial,industrial, and automotives areas.

We are looking forward to setting up business relationship with you and hope to provide you with the best service and solution. Let us make a better world for our industry!



Contact us

Tel: +86-755-8981 8866 Fax: +86-755-8427 6832

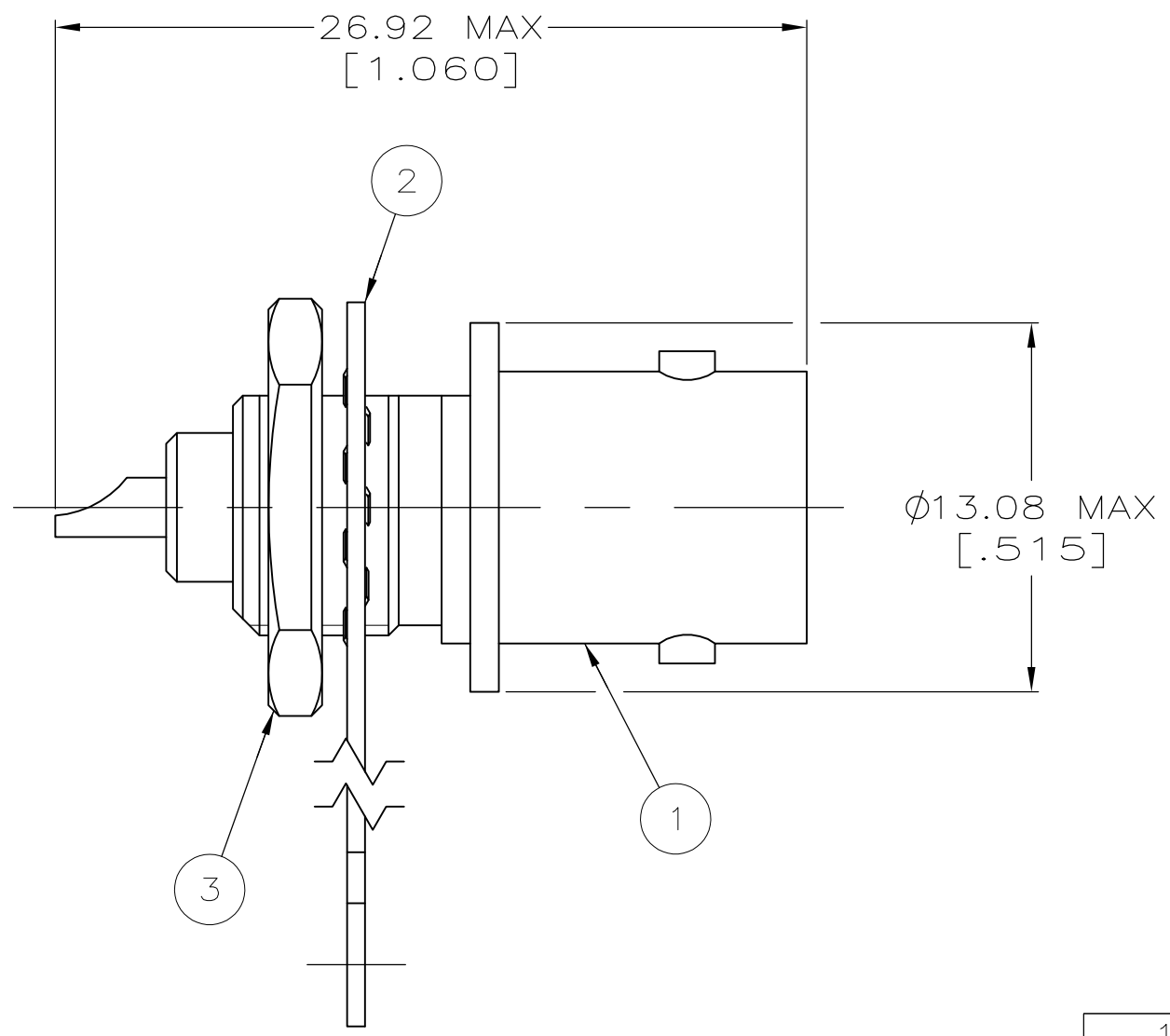
Email & Skype: info@chipsmall.com Web: www.chipsmall.com

Address: A1208, Overseas Decoration Building, #122 Zhenhua RD., Futian, Shenzhen, China

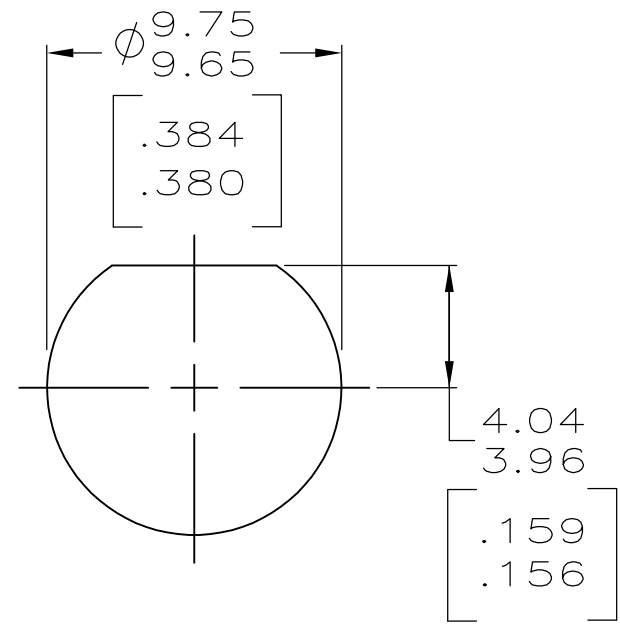


THIS DRAWING IS UNPUBLISHED. RELEASED FOR PUBLICATION
 © COPYRIGHT - By - ALL RIGHTS RESERVED.

LOC	DIST	REVISIONS			
P	LTR	DESCRIPTION	DATE	DWN	APVD
AJ	16	A1	REVISED PER ECO-11-005030	11MAR11	RK HMR



1. 3.175 [.125] MAX PANEL THICKNESS.



RECOMMENDED PANEL CUTOUT

1-330249-1	9-227260-0	227756-3	5227755-3
1-330249-1	9-227260-0	227756-2	5227755-2
1-330249-1	9-227260-0	227756-1	5227755-1
③ JAM NUT QTY=1	② LOCKWASHER, TERMINAL QTY=1	① JACK ASSY QTY=1	PART NUMBER

THIS DRAWING IS A CONTROLLED DOCUMENT.		DWN L. VARELA - DOCK5 21APR2005	STE TE Connectivity	
DIMENSIONS: mm [INCHES]		CHK J. HAVENER 21APR2005		
TOLERANCES UNLESS OTHERWISE SPECIFIED:		APVD J. LIPPERT 21APR2005	NAME SOLDER JACK, 50 OHM, SERIES BNC	
0 PLC ± - 1 PLC ± - 2 PLC ± - 3 PLC ± - 4 PLC ± - ANGLES ± -		PRODUCT SPEC 108-12079	RESTRICTED TO	
MATERIAL		APPLICATION SPEC	SIZE A3	CAGE CODE 00779
FINISH		WEIGHT	DRAWING NO C-5227755	REV A1
CUSTOMER DRAWING			SCALE 4:1	SHEET 1 OF 1