



Chipsmall Limited consists of a professional team with an average of over 10 year of expertise in the distribution of electronic components. Based in Hongkong, we have already established firm and mutual-benefit business relationships with customers from,Europe,America and south Asia,supplying obsolete and hard-to-find components to meet their specific needs.

With the principle of "Quality Parts,Customers Priority,Honest Operation,and Considerate Service",our business mainly focus on the distribution of electronic components. Line cards we deal with include Microchip,ALPS,ROHM,Xilinx,Pulse,ON,Everlight and Freescale. Main products comprise IC,Modules,Potentiometer,IC Socket,Relay,Connector.Our parts cover such applications as commercial,industrial, and automotives areas.

We are looking forward to setting up business relationship with you and hope to provide you with the best service and solution. Let us make a better world for our industry!



Contact us

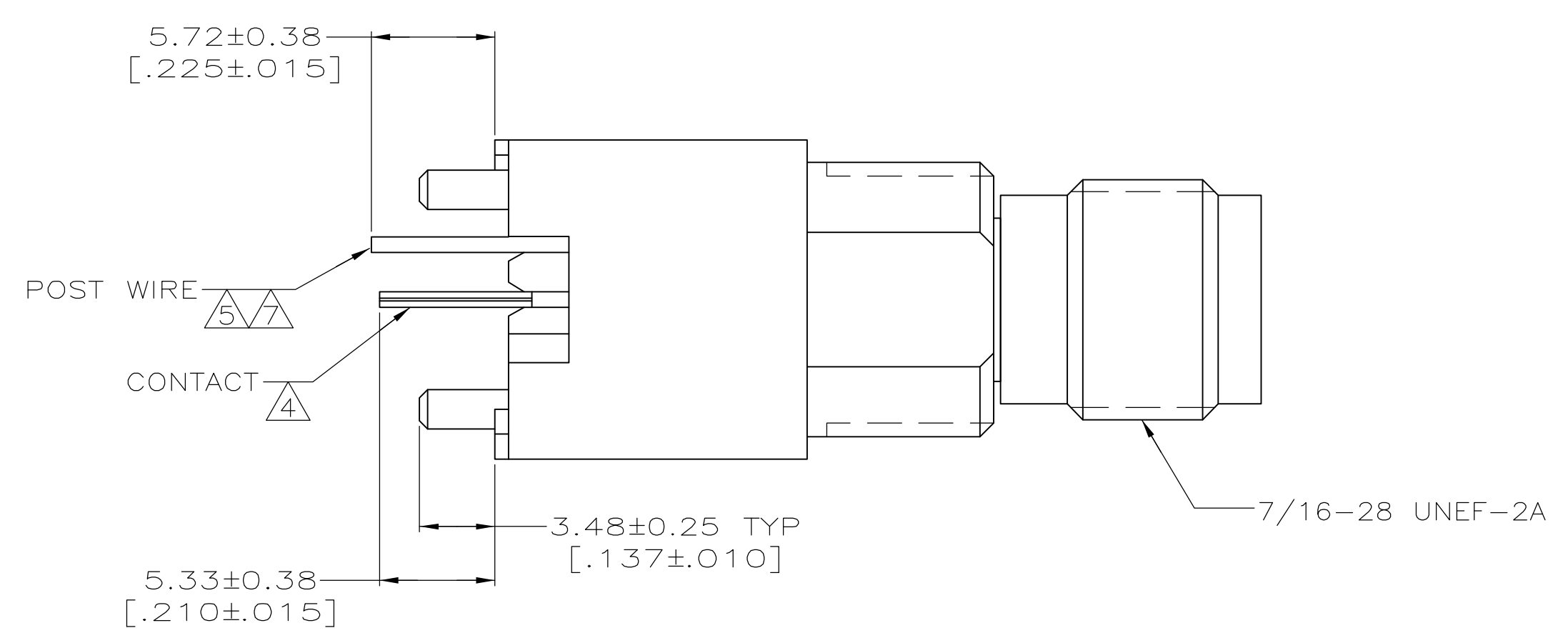
Tel: +86-755-8981 8866 Fax: +86-755-8427 6832

Email & Skype: info@chipsmall.com Web: www.chipsmall.com

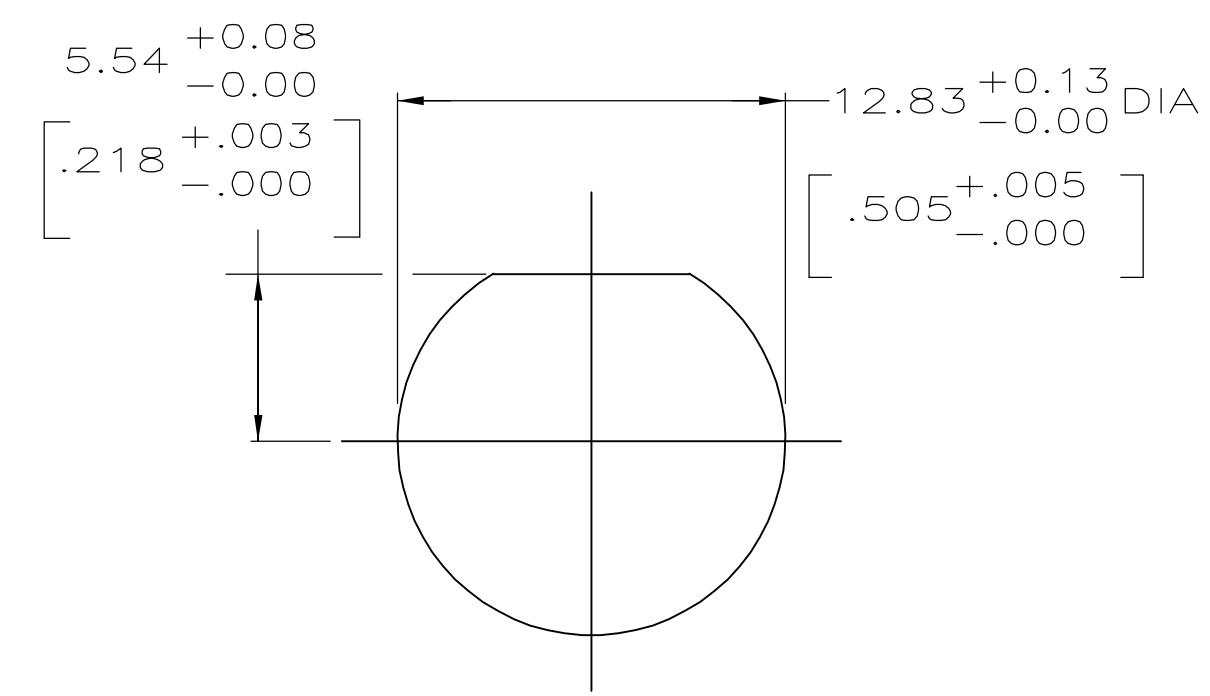
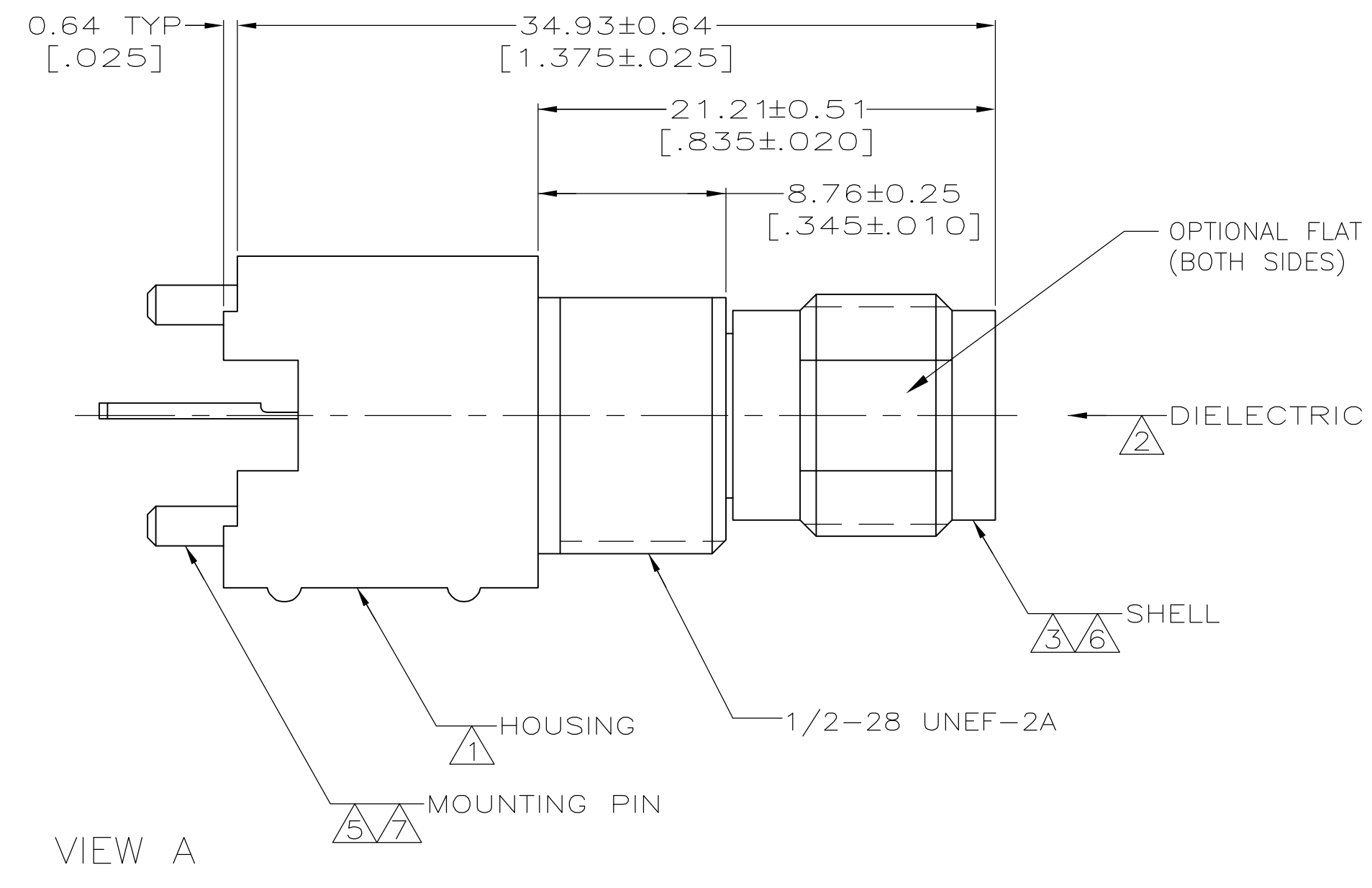
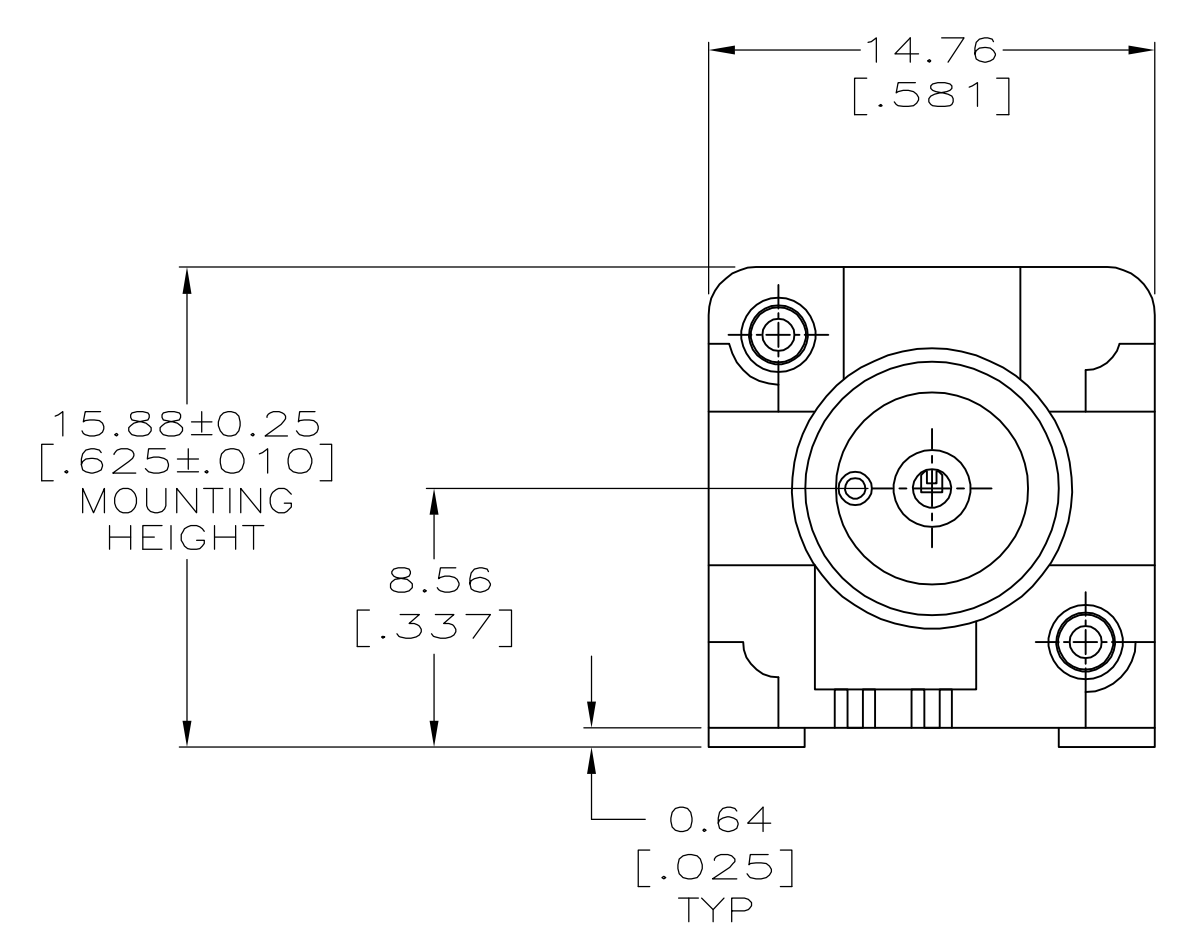
Address: A1208, Overseas Decoration Building, #122 Zhenhua RD., Futian, Shenzhen, China



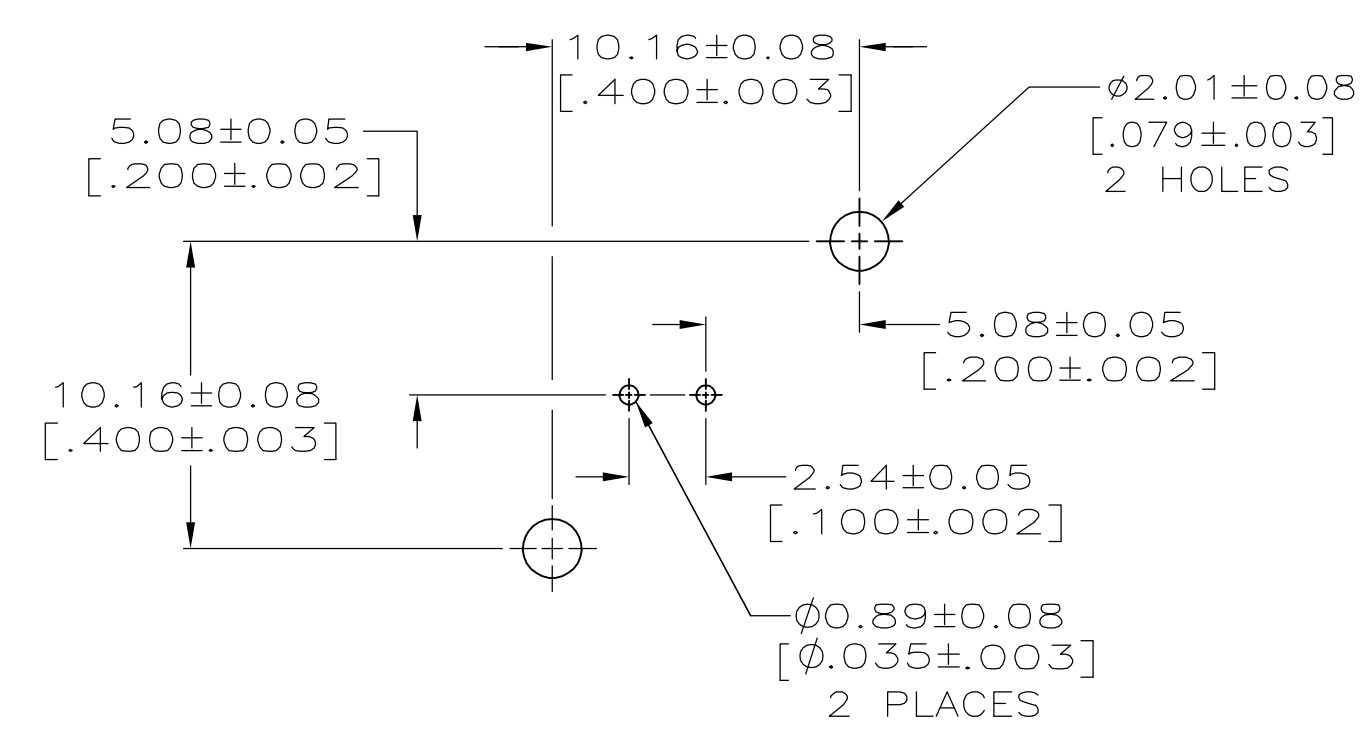
LOC		DIST		REVISONS			
P	LTR	DESCRIPTION	DATE	DWN	APVD		
01		REVISED PER ECO-06-011451	26MAY2006	KS	JL		



- 1 POLYESTER PBT PER MIL-M-24519, TYPE GPT-15F, UL94V-0 RATED, COLOR:NATURAL
- 2 POLYMETHYLPENTENE, GENERAL PURPOSE.
- 3 ZINC PER QQ-Z-363.
- 4 PHOSPHOR BRONZE PER QQ-B-750.
- 5 BRASS PER QQ-B-626.
- 6 NICKEL PLATE PER QQ-N-290, 3.81µm [.000150] MINIMUM THICK.
- 7 TIN PLATE PER ASTM-B-545, 3.81µm [.000150] MINIMUM THICK.
- 8 GOLD PLATE PER MIL-G-45204, 0.76µm [.000030] MINIMUM THICK.



RECOMMENDED PANEL CUTOUT



PCB CONFIGURATION

CONTACT FINISH	A	5227820-1
VIEW		
PART NUMBER		

THIS DRAWING IS A CONTROLLED DOCUMENT.		DIN L VARELA - 21APR2005	Tyco Electronics Corporation	
DIMENSIONS: mm [INCHES]		CHK J. HAVENER 21APR2005	Harrisburg, Pa 17105-3608	
TOLERANCES UNLESS OTHERWISE SPECIFIED:		APVD J. LIPPERT 21APR2005	NAME	
0 PLC ± -	1 PLC ± -	PRODUCT SPEC		
2 PLC ± 0.20 [.008]	3 PLC ± -	APPLICATION SPEC		
4 PLC ± -	ANGLES ± -	SIZE CAGE CODE DRAWING NO		
MATERIAL SEE NOTES 1-5		WEIGHT		RESTRICTED TO
FINISH SEE NOTES 6-8		A1 00779 C=5227820		SCALE 4:1 SHEET 1 OF 1 REV 01
CUSTOMER DRAWING				