



Chipsmall Limited consists of a professional team with an average of over 10 year of expertise in the distribution of electronic components. Based in Hongkong, we have already established firm and mutual-benefit business relationships with customers from,Europe,America and south Asia,supplying obsolete and hard-to-find components to meet their specific needs.

With the principle of “Quality Parts,Customers Priority,Honest Operation,and Considerate Service”,our business mainly focus on the distribution of electronic components. Line cards we deal with include Microchip,ALPS,ROHM,Xilinx,Pulse,ON,Everlight and Freescale. Main products comprise IC,Modules,Potentiometer,IC Socket,Relay,Connector.Our parts cover such applications as commercial,industrial, and automotives areas.

We are looking forward to setting up business relationship with you and hope to provide you with the best service and solution. Let us make a better world for our industry!



Contact us

Tel: +86-755-8981 8866 Fax: +86-755-8427 6832

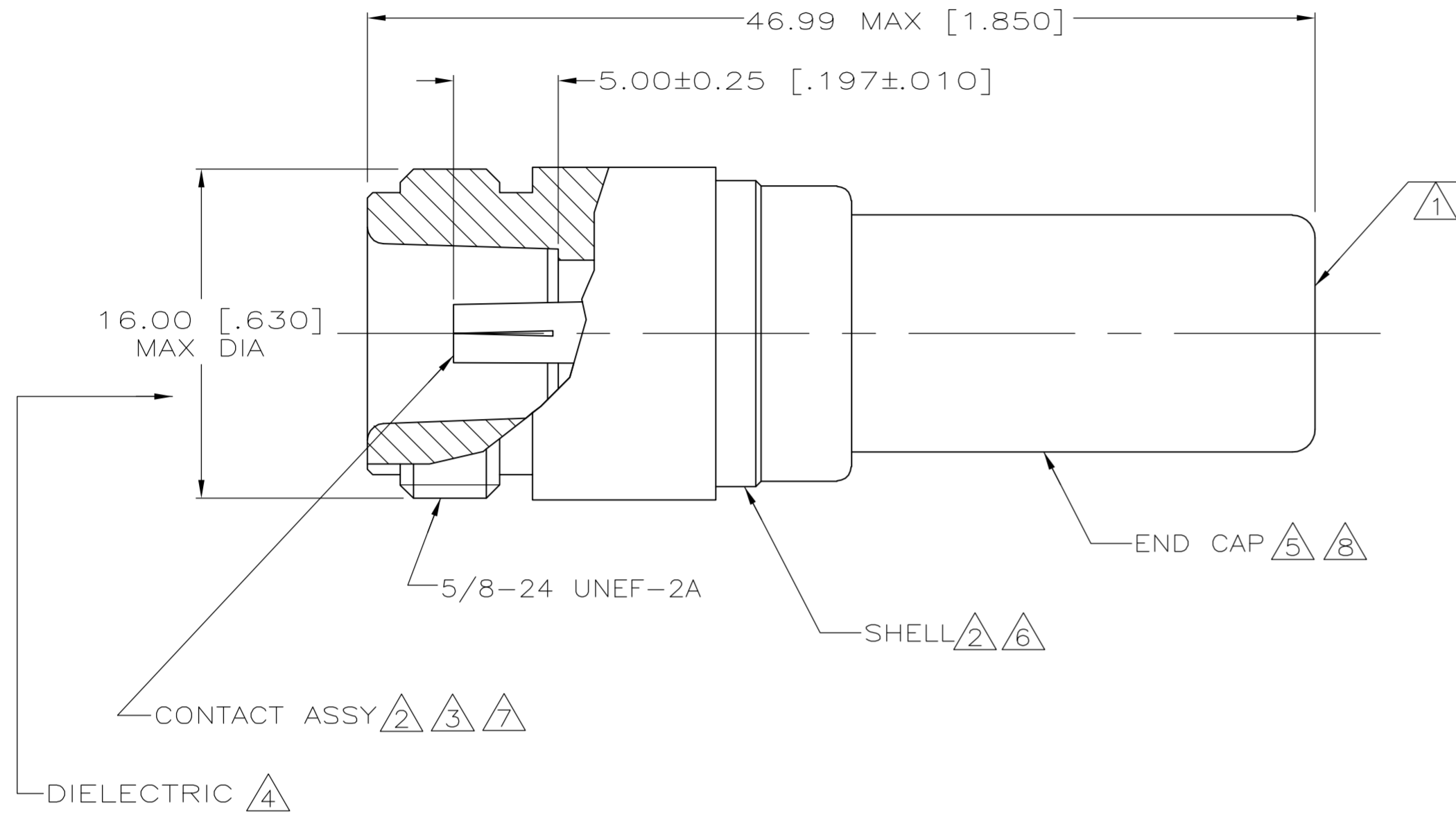
Email & Skype: info@chipsmall.com Web: www.chipsmall.com

Address: A1208, Overseas Decoration Building, #122 Zhenhua RD., Futian, Shenzhen, China



THIS DRAWING IS UNPUBLISHED. RELEASED FOR PUBLICATION
 © COPYRIGHT BY TYCO ELECTRONICS CORPORATION. ALL RIGHTS RESERVED.

LOC	DIST	REVISIONS			
P	LTR	DESCRIPTION	DATE	DWN	APVD
AJ	16	0	RELEASED.	12DEC2005	JGH GM



- ① STEEL STAMP "50 Ω, 1W" THIS SURFACE.
- ② BRASS PER ASTM B 16 OR B 36.
- ③ BERYLLIUM COPPER PER ASTM B 196.
- ④ PTFE PER ASTM D 1710.
- ⑤ COPPER PER ASTM B 152.
- ⑥ NICKEL PLATE PER QQ-N-290, 2.54 μm [.000100] MIN THICK.
- ⑦ GOLD PLATE PER ASTM B 488, 2.54 μm [.000100] MIN THICK.
- ⑧ TIN PLATE PER ASTM B 545, 2.54 μm [.000100] MIN THICK.

5227997-1
 PART NUMBER

THIS DRAWING IS A CONTROLLED DOCUMENT.		DWN J. HAVENER 12DEC2005	Tyco Electronics Corporation Harrisburg, PA 17105-3608	
DIMENSIONS: mm [INCHES]		CHK G. MICHAEL 12DEC2005		
TOLERANCES UNLESS OTHERWISE SPECIFIED:		APVD G. MICHAEL 12DEC2005	NAME TERMINATOR, JACK, SERIES N	
		PRODUCT SPEC	RESTRICTED TO	
MATERIAL NOTES 2 THRU 5		FINISH NOTES 6 THRU 8	WEIGHT -	SIZE A2
		WEIGHT -	CAGE CODE 00779	DRAWING NO C=5227997
		WEIGHT -	SCALE 4:1	SHEET 1 of 1
		WEIGHT -	SCALE 4:1	REV 0

5227997