



Chipsmall Limited consists of a professional team with an average of over 10 year of expertise in the distribution of electronic components. Based in Hongkong, we have already established firm and mutual-benefit business relationships with customers from,Europe,America and south Asia,supplying obsolete and hard-to-find components to meet their specific needs.

With the principle of “Quality Parts,Customers Priority,Honest Operation,and Considerate Service”,our business mainly focus on the distribution of electronic components. Line cards we deal with include Microchip,ALPS,ROHM,Xilinx,Pulse,ON,Everlight and Freescale. Main products comprise IC,Modules,Potentiometer,IC Socket,Relay,Connector.Our parts cover such applications as commercial,industrial, and automotives areas.

We are looking forward to setting up business relationship with you and hope to provide you with the best service and solution. Let us make a better world for our industry!



## Contact us

Tel: +86-755-8981 8866 Fax: +86-755-8427 6832

Email & Skype: info@chipsmall.com Web: www.chipsmall.com

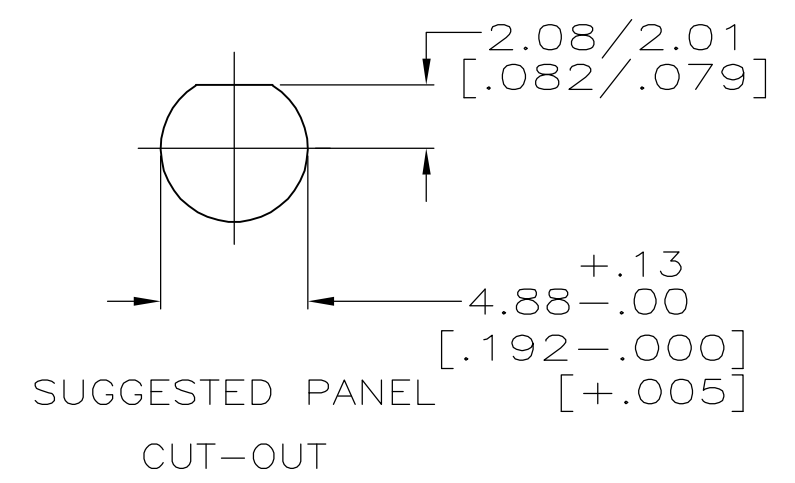
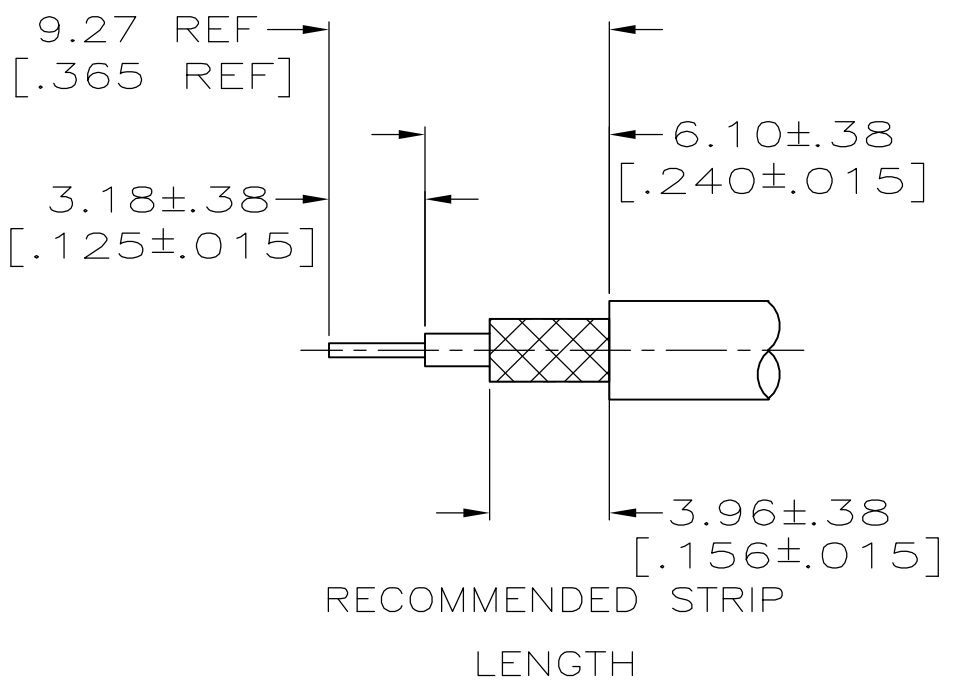
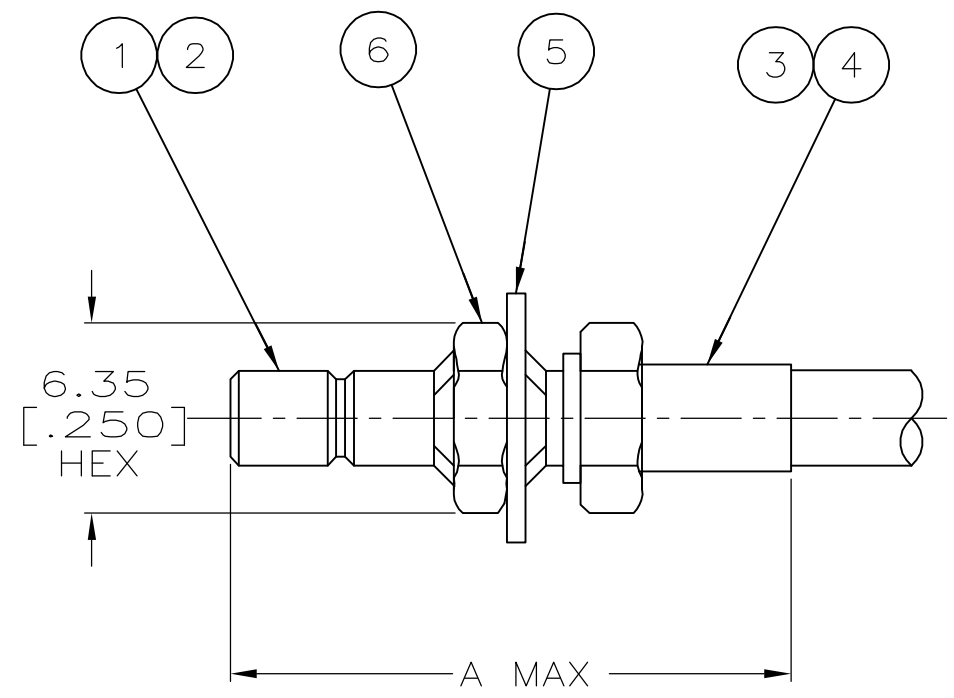
Address: A1208, Overseas Decoration Building, #122 Zhenhua RD., Futian, Shenzhen, China



THIS DRAWING IS UNPUBLISHED. RELEASED FOR PUBLICATION  
 © COPYRIGHT BY TYCO ELECTRONICS CORPORATION. ALL RIGHTS RESERVED.

LOC	DIST	REVISIONS			
P	LTR	DESCRIPTION	DATE	DWN	APVD
AJ	16	0	REV PER EC-0S14-0496-04	03FEB2005	AF JGH

- ① FOR USE WITH BRAID CRIMP HAND TOOL 220190-1.
- ② FOR USE WITH CONTACT CRIMP MIL-C-22520/5-01 (DANIELS AFM 8) TOOL W/ DANIELS POSITIONER K727.
- ③ USE WITH BRAID CRIMP HAND TOOL MIL-C-22520/5-01.
- 4. SEE INSTRUCTION SHEET 408-2987-3.



RG-174/U, 188/U & 316/U	23.36	[.920]	Y444	POSN 2	58046-1 (AREA A)	414969-2	415001-2	9-228202-0	228225-2	228222-1	5228217-1
FOR USE WITH CABLE	A		DANIELS DIE SET ③	DIE SET ②	AMP DIE SET ①	⑥ JAMNUT QTY=1	⑤ LOCKWASHER QTY=1	③ FERRULE QTY=1	② CONTACT QTY=1	① JACK ASSEMBLY QTY=1	PART NUMBER

THIS DRAWING IS A CONTROLLED DOCUMENT.

DIMENSIONS: INCHES	TOLERANCES UNLESS OTHERWISE SPECIFIED:	DWN A. FERNANDEZ-DOCK5 03FEB2005	 Tyco Electronics Corporation Harrisburg, PA 17105-3608
	0 PLC ± - 1 PLC ± - 2 PLC ± - 3 PLC ± - 4 PLC ± - ANGLES ± -	CHK J. HAVENER 03FEB2005 APVD J. HAVENER 03FEB2005 PRODUCT SPEC - APPLICATION SPEC - WEIGHT -	
MATERIAL -	FINISH -	NAME JACK, BULKHEAD, SERIES SMB	RESTRICTED TO -
CUSTOMER DRAWING		SIZE A3	CAGE CODE 00779
		DRAWING NO C-5228217	SCALE 4:1
		SHEET 1 OF 1	REV 0