



Chipsmall Limited consists of a professional team with an average of over 10 year of expertise in the distribution of electronic components. Based in Hongkong, we have already established firm and mutual-benefit business relationships with customers from,Europe,America and south Asia,supplying obsolete and hard-to-find components to meet their specific needs.

With the principle of "Quality Parts,Customers Priority,Honest Operation,and Considerate Service",our business mainly focus on the distribution of electronic components. Line cards we deal with include Microchip,ALPS,ROHM,Xilinx,Pulse,ON,Everlight and Freescale. Main products comprise IC,Modules,Potentiometer,IC Socket,Relay,Connector.Our parts cover such applications as commercial,industrial, and automotives areas.

We are looking forward to setting up business relationship with you and hope to provide you with the best service and solution. Let us make a better world for our industry!



Contact us

Tel: +86-755-8981 8866 Fax: +86-755-8427 6832

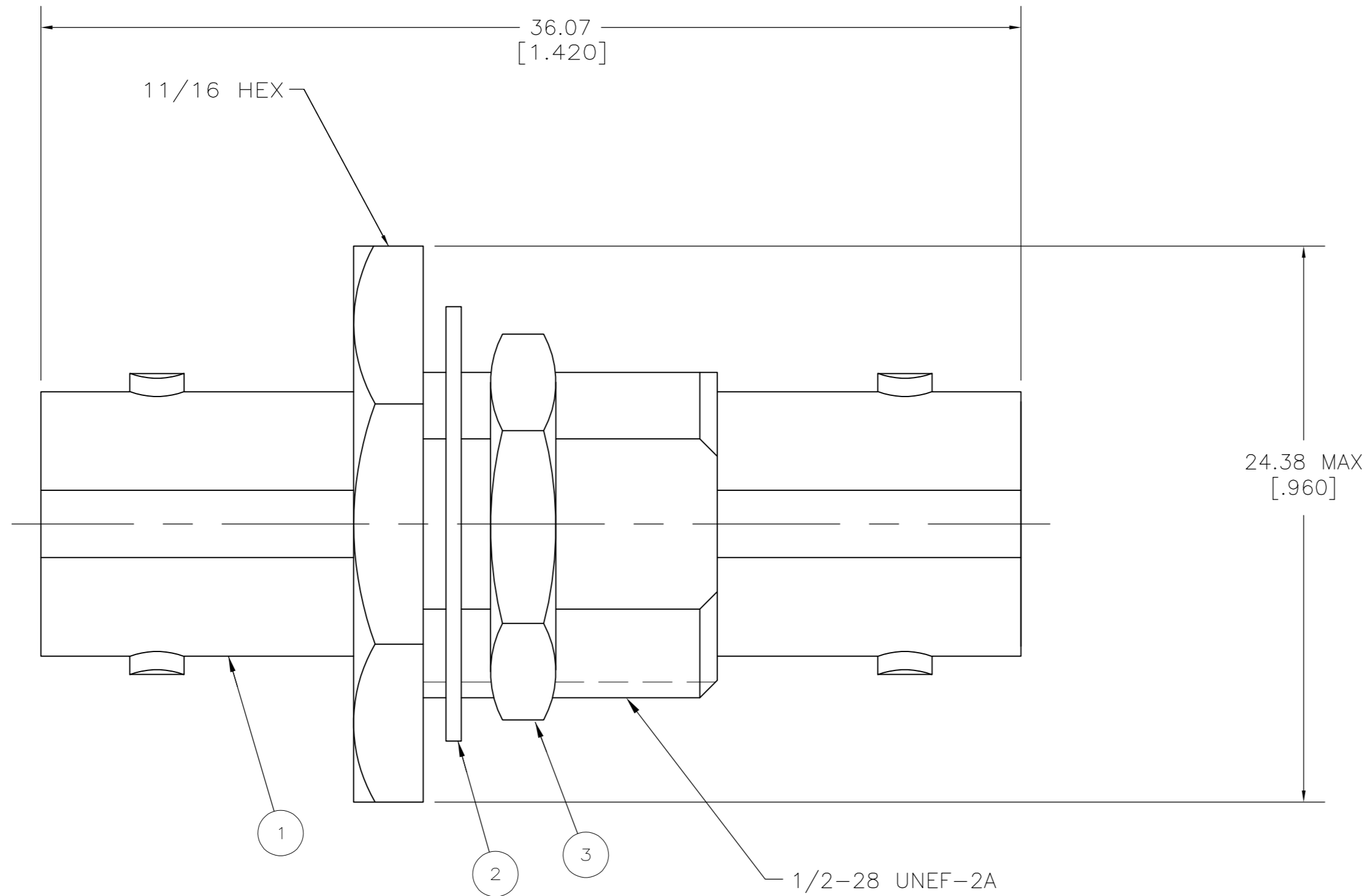
Email & Skype: info@chipsmall.com Web: www.chipsmall.com

Address: A1208, Overseas Decoration Building, #122 Zhenhua RD., Futian, Shenzhen, China

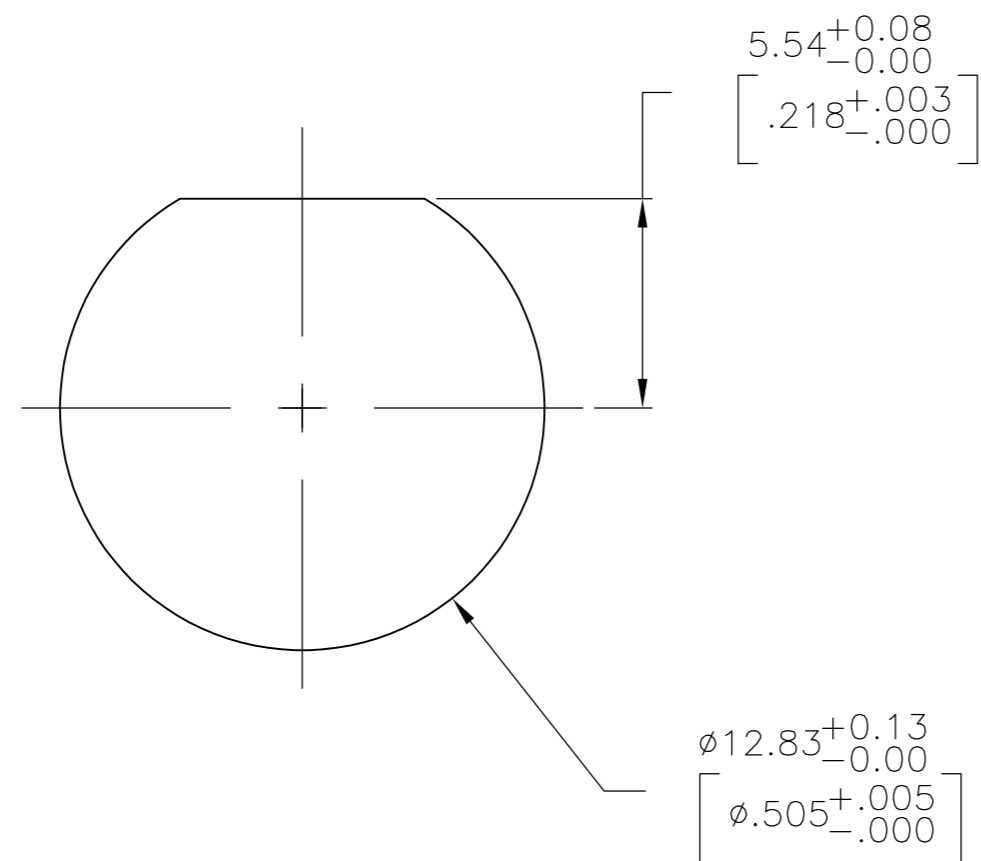


THIS DRAWING IS UNPUBLISHED. RELEASED FOR PUBLICATION
 © COPYRIGHT - By - ALL RIGHTS RESERVED.

LOC	DIST	REVISIONS			
P	LTR	DESCRIPTION	DATE	DWN	APVD
AJ	16	A1	REVISED PER ECO-11-005030	11MAR11	RK HMR



1. PARTS PACKAGED UNASSEMBLED.
2. PANEL THICKNESS = 6.35 [.250] MAX.



RECOMMENDED PANEL CUTOUT

1-329631-2	1-329632-2	228255-2	5228226-3
1-329631-2	1-329632-2	9-228255-0	5228226-1
③ JAM NUT QTY=1	② LOCK WASHER QTY=1	① JACK ADAPTER ASSEMBLY QTY=1	PART NUMBER

THIS DRAWING IS A CONTROLLED DOCUMENT.		DWN A. FERNANDEZ-DOCK5 18APR2005	TE Connectivity	
DIMENSIONS: mm [INCHES]		CHK J. HAVENER 18APR2005	NAME JACK TO JACK ADAPTER, BULKHEAD MOUNT, BNC	
TOLERANCES UNLESS OTHERWISE SPECIFIED:		APVD J. LIPPERT 18APR2005	SIZE A2	CAGE CODE 00779
0 PLC ± -	1 PLC ± -	PRODUCT SPEC	DRAWING NO C=5228226	RESTRICTED TO
2 PLC ± -	3 PLC ± -	APPLICATION SPEC	SCALE 5:1	SHEET 1 of 1
4 PLC ± -	ANGLES ± -	WEIGHT -	REV A1	
MATERIAL -	FINISH -	CUSTOMER DRAWING		

5228226