



Chipsmall Limited consists of a professional team with an average of over 10 year of expertise in the distribution of electronic components. Based in Hongkong, we have already established firm and mutual-benefit business relationships with customers from,Europe,America and south Asia,supplying obsolete and hard-to-find components to meet their specific needs.

With the principle of “Quality Parts,Customers Priority,Honest Operation,and Considerate Service”,our business mainly focus on the distribution of electronic components. Line cards we deal with include Microchip,ALPS,ROHM,Xilinx,Pulse,ON,Everlight and Freescale. Main products comprise IC,Modules,Potentiometer,IC Socket,Relay,Connector.Our parts cover such applications as commercial,industrial, and automotives areas.

We are looking forward to setting up business relationship with you and hope to provide you with the best service and solution. Let us make a better world for our industry!



Contact us

Tel: +86-755-8981 8866 Fax: +86-755-8427 6832

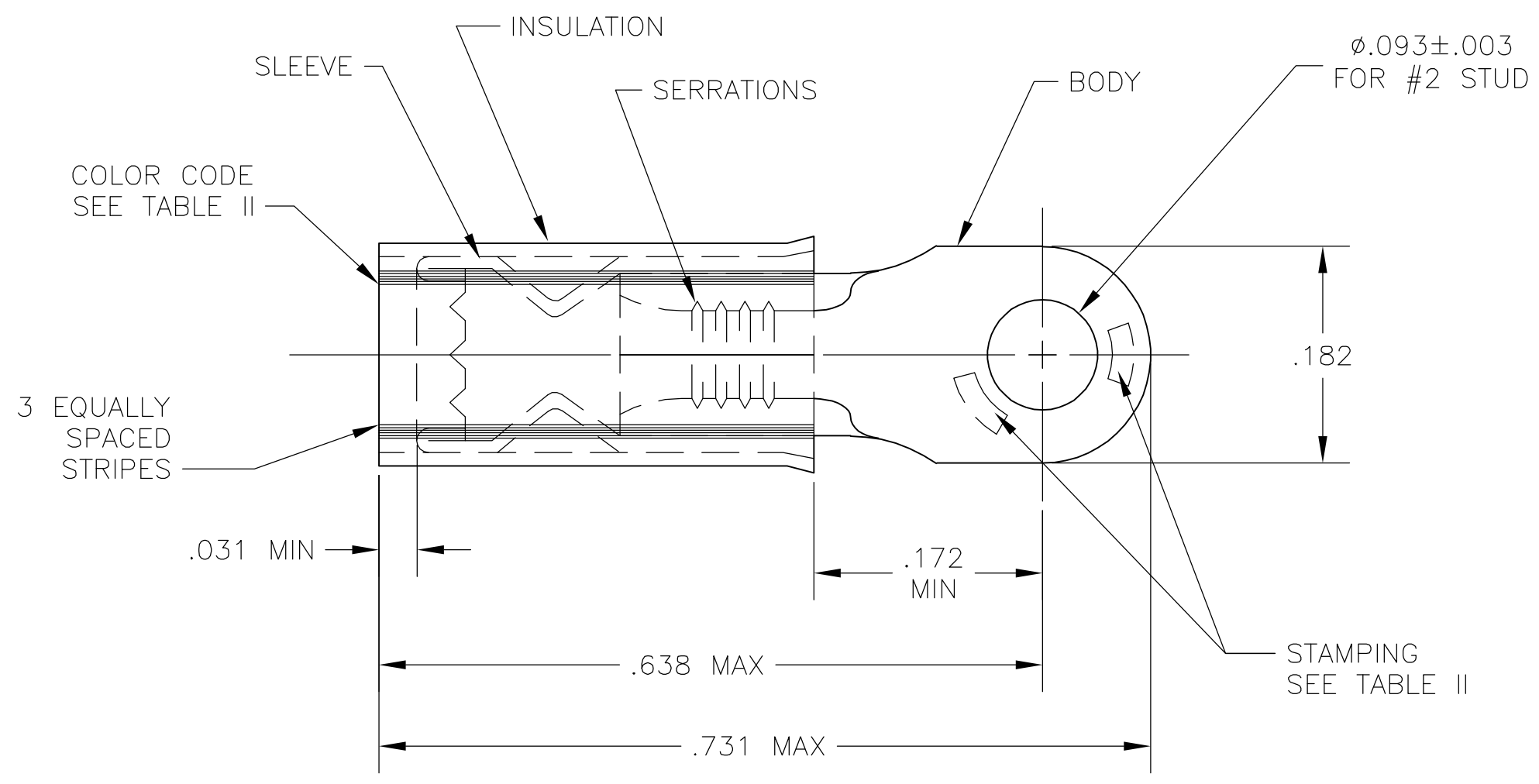
Email & Skype: info@chipsmall.com Web: www.chipsmall.com

Address: A1208, Overseas Decoration Building, #122 Zhenhua RD., Futian, Shenzhen, China



THIS DRAWING IS UNPUBLISHED. RELEASED FOR PUBLICATION
 © COPYRIGHT BY TYCO ELECTRONICS CORPORATION. ALL RIGHTS RESERVED.

LOC	DIST	REVISIONS					
G	14	P	LTR	DESCRIPTION	DATE	DWN	APVD
			C1	REV PER ECR 07-003994	21FEB07	JR	TM



- 1 TONGUE MATERIAL THK IS .031±.002
- 2 FOR WIRE INS. DIA (SEE TABLE II)

TABLE I

1	WIRE TERMINAL INSULATION RESTRICTING	SEE TABLE II	BODY & SLEEVE: COPPER PER ASTM PER B152 TIN PLATE PER ASTM B545 INSULATION: NYLON (MIL-M-20693) TYPE I, COLOR - RED
QTY	DESCRIPTION	PART NO	MATERIAL & FINISH

TABLE II

52307-1	20	20	1	.046-.110	RED
52307	22	22	1/2	.038-.110	GREEN
PART NO	WIRE SIZE	WIRE STAMPING	SHIP	INS. DIA.	COLOR CODE

THIS DRAWING IS A CONTROLLED DOCUMENT.

DWN	jr_ruth	21FEB07
CHK	T MICHIELUTTI	21FEB07
APVD	T MICHIELUTTI	21FEB07
PRODUCT SPEC		
APPLICATION SPEC		
WEIGHT -		
MATERIAL	-	
FINISH	-	

Tyco Electronics Corporation		Harrisburg, PA 17105-3608	
NAME			
WIRE TERMINAL, P.I.D.G., RING TONGUE & INSULATION RESTRICTION WIRE SIZE 22-20			
SIZE	CAGE CODE	DRAWING NO	RESTRICTED TO
A3	00779	C-52307	-
CUSTOMER DRAWING		SCALE	SHEET
		5:1	1 OF 1
		REV	C1