



Chipsmall Limited consists of a professional team with an average of over 10 year of expertise in the distribution of electronic components. Based in Hongkong, we have already established firm and mutual-benefit business relationships with customers from,Europe,America and south Asia,supplying obsolete and hard-to-find components to meet their specific needs.

With the principle of “Quality Parts,Customers Priority,Honest Operation,and Considerate Service”,our business mainly focus on the distribution of electronic components. Line cards we deal with include Microchip,ALPS,ROHM,Xilinx,Pulse,ON,Everlight and Freescale. Main products comprise IC,Modules,Potentiometer,IC Socket,Relay,Connector.Our parts cover such applications as commercial,industrial, and automotives areas.

We are looking forward to setting up business relationship with you and hope to provide you with the best service and solution. Let us make a better world for our industry!



Contact us

Tel: +86-755-8981 8866 Fax: +86-755-8427 6832

Email & Skype: info@chipsmall.com Web: www.chipsmall.com

Address: A1208, Overseas Decoration Building, #122 Zhenhua RD., Futian, Shenzhen, China



PROPER USE GUIDELINES

Cumulative Trauma Disorders can result from the prolonged use of manually powered hand tools. Hand tools are intended for occasional use and low volume applications. A wide selection of powered application equipment for extended-use, production operations is available.

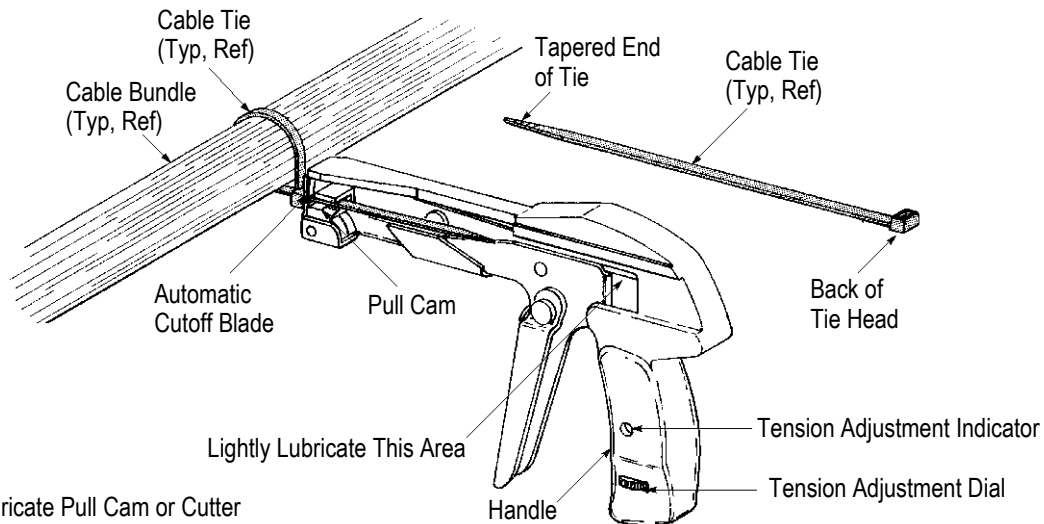


Figure 1

1. INTRODUCTION

Cable Tie Installation Tool 734587-1 shown in Figure 1 is used to apply the cable ties listed in Figure 2. Read these instructions thoroughly before installing cable ties.



NOTE

All numerical values in this instruction sheet are in metric units [with U.S. customary units in brackets]. Dimensions are in millimeters [and inches]. Figures are not drawn to scale.

Reasons for reissue of this instruction sheet are provided in Section 6, REVISION SUMMARY.

2. DESCRIPTION

This tool features an incremental tension adjustment indicator, a tension adjustment dial, and an automatic cut-off blade.

The tension adjustment dial regulates the amount of tension applied to the cable tie before the tie is cut. The adjustment is made by turning the tension adjustment dial until the adjustment indicator displays the desired setting.



NOTE

The higher numerical settings indicate a greater tension placed on the cable tie.

3. APPLICATION PROCEDURE

1. Determine the diameter of the cable bundle, and select the proper cable tie from Figure 2.
2. Turn the tension adjustment dial to the desired setting.
3. Loop the cable tie around the cable bundle and insert the tapered end of the tie through the back of the tie head. Refer to Figure 1.
4. Pull the cable tie through until snug.
5. Insert the cable tie into the tool gripper slot and squeeze the handle completely. The tool will tighten the tie and automatically cut the excess once the pre-set tension is reached.

CABLE BUNDLE DIAMETER		CABLE TIE			TOOL TENSION SETTING RANGE	
MINIMUM	MAXIMUM	LENGTH	PART NUMBER	TENSILE VALUE [LB]		
1.5 [.06]	19.1 [.75]	108.0 [4.25]	603230	18	0-1	
			603231			
		101.6 [4.00]	604771			
			608701			
	31.8 [1.25]	203.2 [8.00]	608687	30	1-2	
		152.4 [6.00]	603227			
	50.8 [2.00]	158.8 [6.25]	608687	40		
	76.2 [3.00]	215.9 [8.50]	604476			
	19.1 [.75]●	292.1 [11.50]	608688	50	2-3	
	35.1 [1.38]	209.6 [8.25]	608698			
	38.1 [1.50]●	165.1 [6.50]	608692			
	44.5 [1.75]	304.8 [12.00]	608699			
			608702			
			608704			
	50.8 [2.00]	608789	608700			
	76.2 [3.00]	393.7 [15.50]				
	101.6 [4.00]	298.5 [11.75]				604751
		381.0 [15.00]				608703
		393.7 [15.50]	604774			
		406.4 [16.00]	608695			
412.8 [16.25]		608696				

●Using two cable bundles, each of this diameter.

Figure 2

If the tension on the cable tie is not as originally desired, re-adjust the tool as required.



CAUTION

Exercise care when adjusting the tension. DO NOT turn the adjustment past the zero setting; otherwise, damage to the tool may result.

4. MAINTENANCE AND INSPECTION

The tool should be inspected immediately upon arrival in your facility, and at regularly scheduled intervals, to ensure that the tool has not been damaged. Lubricate the tool as indicated in Figure 1.

5. REPLACEMENT AND REPAIR

Spare parts kits are available for this tool:

- Service Kit 523153-7 (consists of the cutting blade and three internal springs)
- Spring Kit 3-519529-9 (consists of the cable tension spring and its mount)

If the tool becomes damaged, it must be replaced. Additional tools can be purchased through your TE Representative, or call 1-800-526-5142, or send a facsimile of your purchase order to 717-986-7605 or write to:

CUSTOMER SERVICE (038-035)
 TYCO ELECTRONICS CORPORATION
 PO BOX 3608
 HARRISBURG PA 17105-3608

6. REVISION SUMMARY

- Updated document to corporate requirements
- Updated logo