



Chipsmall Limited consists of a professional team with an average of over 10 year of expertise in the distribution of electronic components. Based in Hongkong, we have already established firm and mutual-benefit business relationships with customers from,Europe,America and south Asia,supplying obsolete and hard-to-find components to meet their specific needs.

With the principle of “Quality Parts,Customers Priority,Honest Operation,and Considerate Service”,our business mainly focus on the distribution of electronic components. Line cards we deal with include Microchip,ALPS,ROHM,Xilinx,Pulse,ON,Everlight and Freescale. Main products comprise IC,Modules,Potentiometer,IC Socket,Relay,Connector.Our parts cover such applications as commercial,industrial, and automotives areas.

We are looking forward to setting up business relationship with you and hope to provide you with the best service and solution. Let us make a better world for our industry!



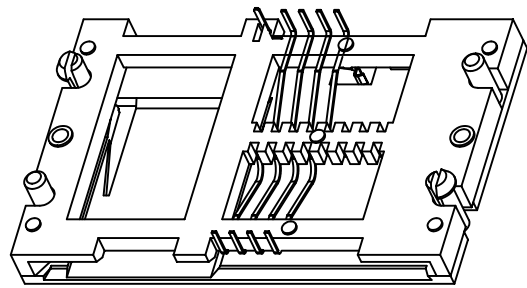
Contact us

Tel: +86-755-8981 8866 Fax: +86-755-8427 6832

Email & Skype: info@chipsmall.com Web: www.chipsmall.com

Address: A1208, Overseas Decoration Building, #122 Zhenhua RD., Futian, Shenzhen, China





NOTES:

- 1.L04 STANDARD READER LOW PROFILE 6.5mm HEIGHT.
- 2.DETECTOR TYPE:BLADE CONTACTS NORMALLY OPEN.
3. MATERIAL:
CONTACT: PHOSPHOR BRONZE
HOUSING(BASE): UL 94V-0 PC.
COVER: UL 94V-0,PA46.
- 4.PLATING:15u" MINIMUM GOLD IN CONTACT AREA;
120u" MINIMUM TIN-LEAD OR MATTE PURE TIN IN SOLDER TAIL AREA;
50u" MINIMUM NICKEL UNDERPLATE OVER ALL SURFACES.
- 5.IF LEAD FREE P/N, GS-14-920 SHOULD BE APPLIED
- 6.IF LF P/N,THE PRODUCT MEETS EUROPEAN UNION DIRECTIVES AND OTHER COUNTRY REGULATIONS AS DESCRIBED IN GS -22-008.
- 7.THE HOUSING WILL WITHSTAND EXPOSURE TO 260 ° PEAK TEMPERATURE FOR 5 SENCONDS IN A WAVE SOLDER APPLICATION WITH A 1.6mm MINIMUM THICKNESS CIRCUIT BOARD.
8. GENERAL TOLERANCE: 0 mm TO 10 mm: ±0.1 mm
10 mm TO 30 mm: ±0.15 mm
30 mm TO 60 mm: ±0.2 mm
>60 mm: ±0.3 mm
9. FLATNESS CONTROL WITHIN 0.25mm MAX.

10. 52400- X X A LF

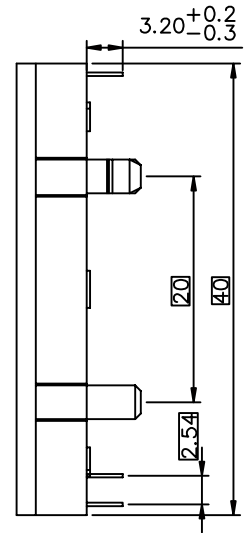
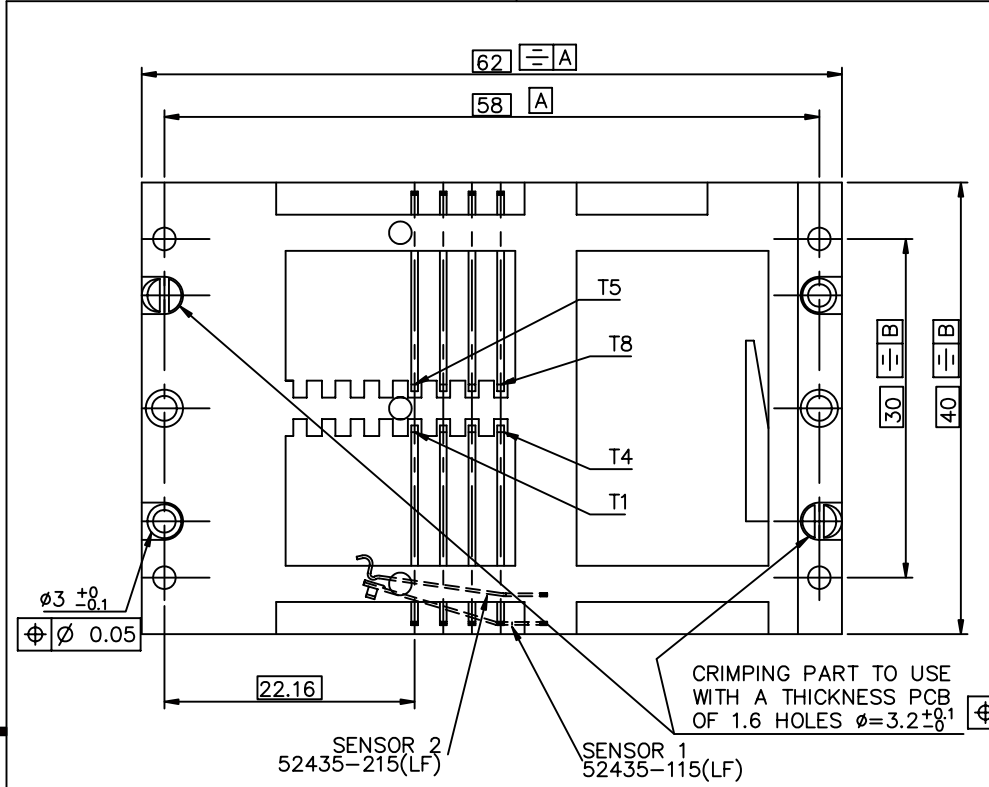
- LEAD FREE OPTION
- BLADE CONTACTS NORMALLY OPEN
- 2: CONTACT PLATING 15u" Au OVER NICKEL.
- 3: CONTACT PLATING 30u" Au OVER NICKEL.
- 5: CONTACT PLATING 80u" Au OVER NICKEL.
- NO. OF CONTACTS:
- 1:6 CONTACTS
- 2:8 CONTACTS
- 3:16 CONTACTS

CONFIDENTIAL

mat'l. code				tolerances unless otherwise specified				CUSTOMER COPY		 www.fciconnect.com		
ltr	ecn no	dr	date	linear	.X ±				projection	title		
A	T90345	GT	09/30/99		.XX ±					L04 6.5MM HEIGHT		
B	T04-0253	MW	06/11/04		.XXX ±					NORMALLY OPEN		
C	N05-0092	AILEI	03/25/05	angles	0° ±				 MM	product family SMART CARD		
D	N05-0203	AILEI	07/12/05	dr	MAGGIE WU	07/05/99	scale			A4	code -	
E	N05-0326	AILEI	11/18/05	enrg	GARY TANG	07/05/99	1.5:1					52400
				chr	GARY TANG	07/05/99						
				appd	JENN TSAO	07/05/99						
sheet index	revision sheet	D	E									
		1	2									

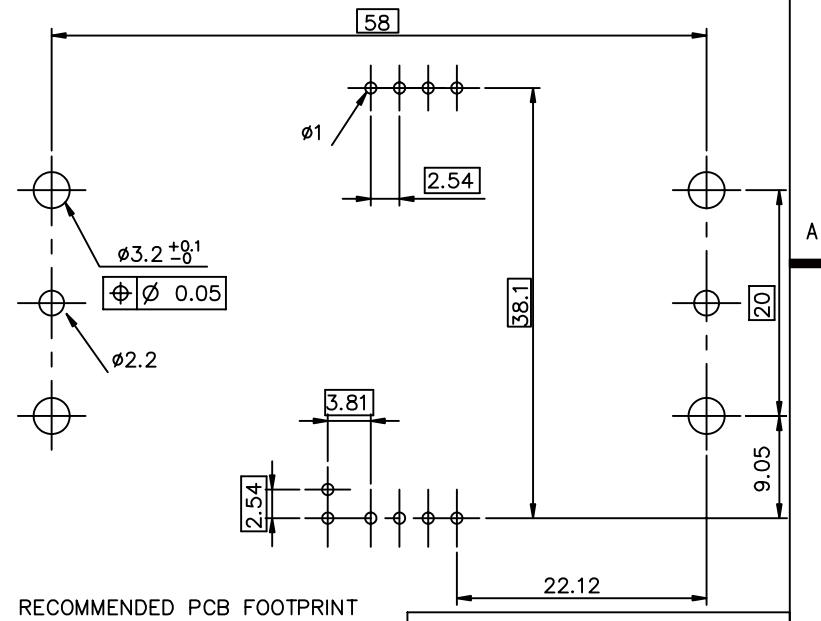
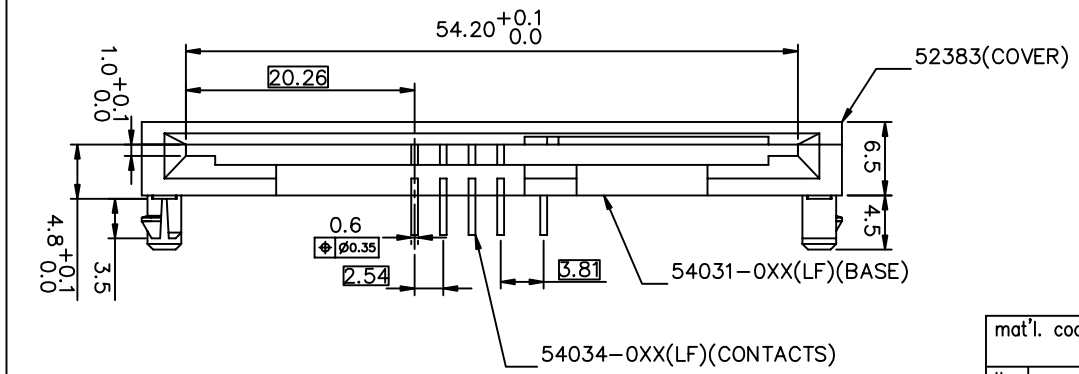
Tous droits strictement reserves. Reproduction ou communication a des tiers interdite sous quelque forme que ce soit sans autorisation écrite du propriétaire. Propriete de c FCI. Droits de reproduction FCI.

All rights strictly reserved. Reproduction or issue to third parties in any form whatever is not permitted without written authority from the proprietor. Property of FCI. Copyright FCI.



PIN DEFINITION

SMART CARD	TERMINAL	FUNC.
C4	T4	RFU
C3	T3	Clock
C2	T2	Reset
C1	T1	Vcc
SENSOR 1	SENSOR 1	SENSOR
SENSOR 2	SENSOR 2	SENSOR
C5	T5	Gnd
C6	T6	Vpp
C7	T7	I/O
C8	T8	RFU



CONFIDENTIAL

mat'l. code		tolerances unless otherwise specified		CUSTOMER COPY		 www.fciconnect.com	
ltr	ecn no	dr	date	linear	.X ±	projection	title L04 6.5MM HEIGHT NORMALLY OPEN
E					.XX ±		
				angles	.XXX ±	MM	product family SMART CARD code -
				dr	0° ±	scale 1.5:1	
				enr			A4
				chr			52400
				appd			sheet 2 of 2
sheet index	revision sheet						