



Chipsmall Limited consists of a professional team with an average of over 10 year of expertise in the distribution of electronic components. Based in Hongkong, we have already established firm and mutual-benefit business relationships with customers from,Europe,America and south Asia,supplying obsolete and hard-to-find components to meet their specific needs.

With the principle of “Quality Parts,Customers Priority,Honest Operation,and Considerate Service”,our business mainly focus on the distribution of electronic components. Line cards we deal with include Microchip,ALPS,ROHM,Xilinx,Pulse,ON,Everlight and Freescale. Main products comprise IC,Modules,Potentiometer,IC Socket,Relay,Connector.Our parts cover such applications as commercial,industrial, and automotives areas.

We are looking forward to setting up business relationship with you and hope to provide you with the best service and solution. Let us make a better world for our industry!



Contact us

Tel: +86-755-8981 8866 Fax: +86-755-8427 6832

Email & Skype: info@chipsmall.com Web: www.chipsmall.com

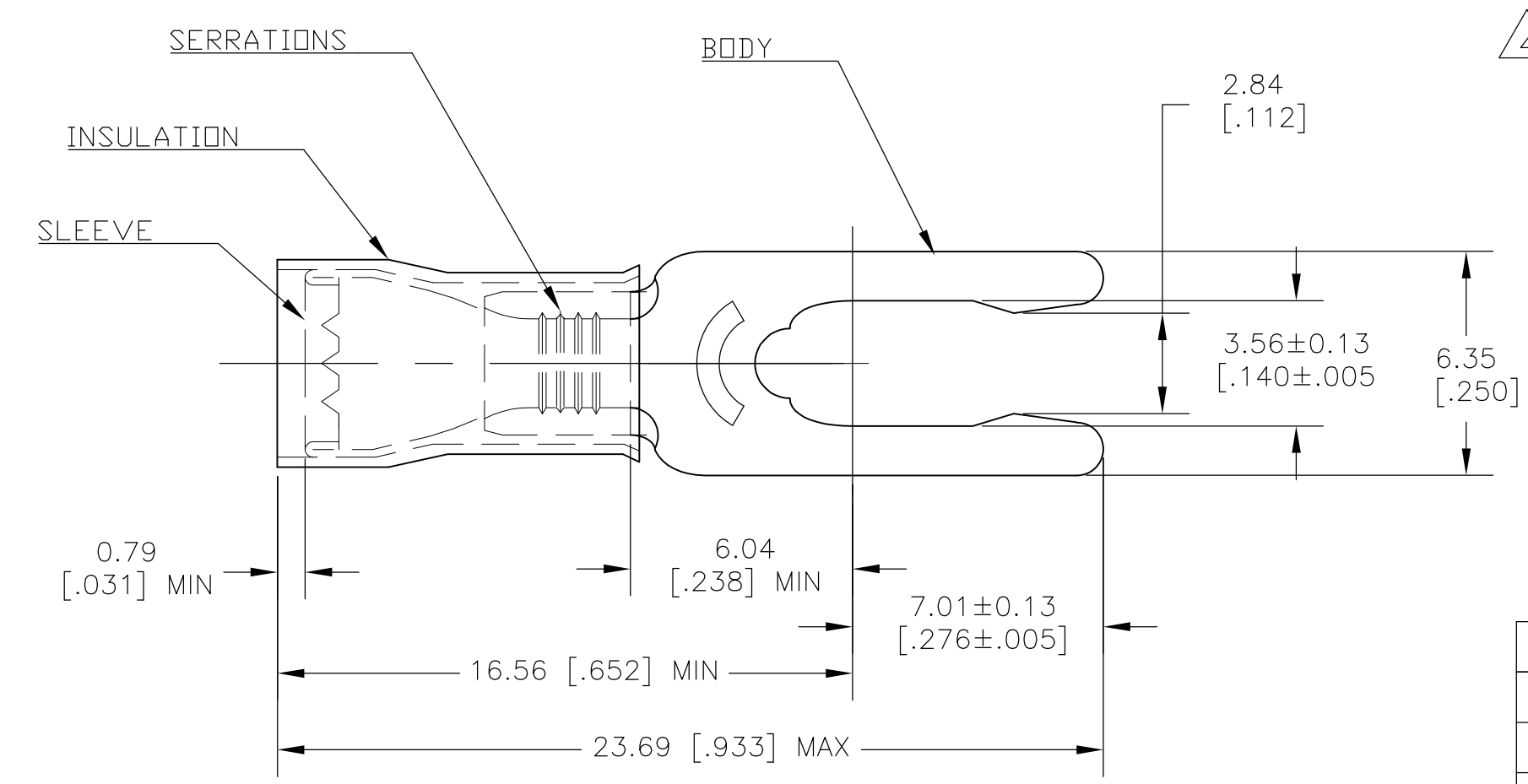
Address: A1208, Overseas Decoration Building, #122 Zhenhua RD., Futian, Shenzhen, China



THIS DRAWING IS UNPUBLISHED. RELEASED FOR PUBLICATION -,-
 © COPYRIGHT - By - ALL RIGHTS RESERVED.

LOC	DIST	REVISIONS					
G	14	P	LTR	DESCRIPTION	DATE	DWN	APVD
		G2		REVISED PER ECO-11-004917	11MAR11	RK	HMR

- 1 WIRE INSULATION DIA, SEE TABLE "A"
- 2 TONGUE MATL THK, 0.789±0.05 [.031±.002].
- △3 BODY: PHOS BRONZE PER ASTM B103
INSULATION: NYLON
SLEEVE: COPPER PER ASTM B152
- △4 BODY: TIN PLATE PER ASTM B545
SLEEVE: TIN PLATE PER ASTM B545
INSULATION: COLOR-BLUE



.115-.170	100	LOOSE PIECE, BOX	9-52420-1
.105-.150	100	LOOSE PIECE, BOX	8-52420-1
.115-.170	--	ON TAPE	52420-3
.105-.150	--	ON TAPE	52420-2
.115-.170	--	LOOSE PIECE	52420-1
.105-.150	--	LOOSE PIECE	52420
DIM "A"	QTY	PACKAGE TYPE	PART NO

THIS DRAWING IS A CONTROLLED DOCUMENT.		DWN jr_ruth 28JUN10	STE TE Connectivity													
DIMENSIONS: mm[INCHES]		CHK TOM MICHIELUTTI 14MAY10														
TOLERANCES UNLESS OTHERWISE SPECIFIED:		APVD TOM MICHIELUTTI 14MAY10	NAME TERMINAL, PIDG, SPRING SPADE, WIRE SIZE: 16-14													
<table border="0"> <tr><td>0 PLC</td><td>± -</td></tr> <tr><td>1 PLC</td><td>± -</td></tr> <tr><td>2 PLC</td><td>± 0.2 [.008]</td></tr> <tr><td>3 PLC</td><td>± -</td></tr> <tr><td>4 PLC</td><td>± -</td></tr> <tr><td>ANGLES</td><td>± 5°</td></tr> </table>		0 PLC	± -	1 PLC	± -	2 PLC	± 0.2 [.008]	3 PLC	± -	4 PLC	± -	ANGLES	± 5°	PRODUCT SPEC -	RESTRICTED TO -	
0 PLC	± -															
1 PLC	± -															
2 PLC	± 0.2 [.008]															
3 PLC	± -															
4 PLC	± -															
ANGLES	± 5°															
MATERIAL △3	FINISH △4	APPLICATION SPEC -	SIZE A3	CAGE CODE 00779												
		WEIGHT -	DRAWING NO C-52420													
CUSTOMER DRAWING			SCALE 6:1	SHEET 1 of 1												
			REV G2													