



Chipsmall Limited consists of a professional team with an average of over 10 year of expertise in the distribution of electronic components. Based in Hongkong, we have already established firm and mutual-benefit business relationships with customers from,Europe,America and south Asia,supplying obsolete and hard-to-find components to meet their specific needs.

With the principle of “Quality Parts,Customers Priority,Honest Operation,and Considerate Service”,our business mainly focus on the distribution of electronic components. Line cards we deal with include Microchip,ALPS,ROHM,Xilinx,Pulse,ON,Everlight and Freescale. Main products comprise IC,Modules,Potentiometer,IC Socket,Relay,Connector.Our parts cover such applications as commercial,industrial, and automotives areas.

We are looking forward to setting up business relationship with you and hope to provide you with the best service and solution. Let us make a better world for our industry!



Contact us

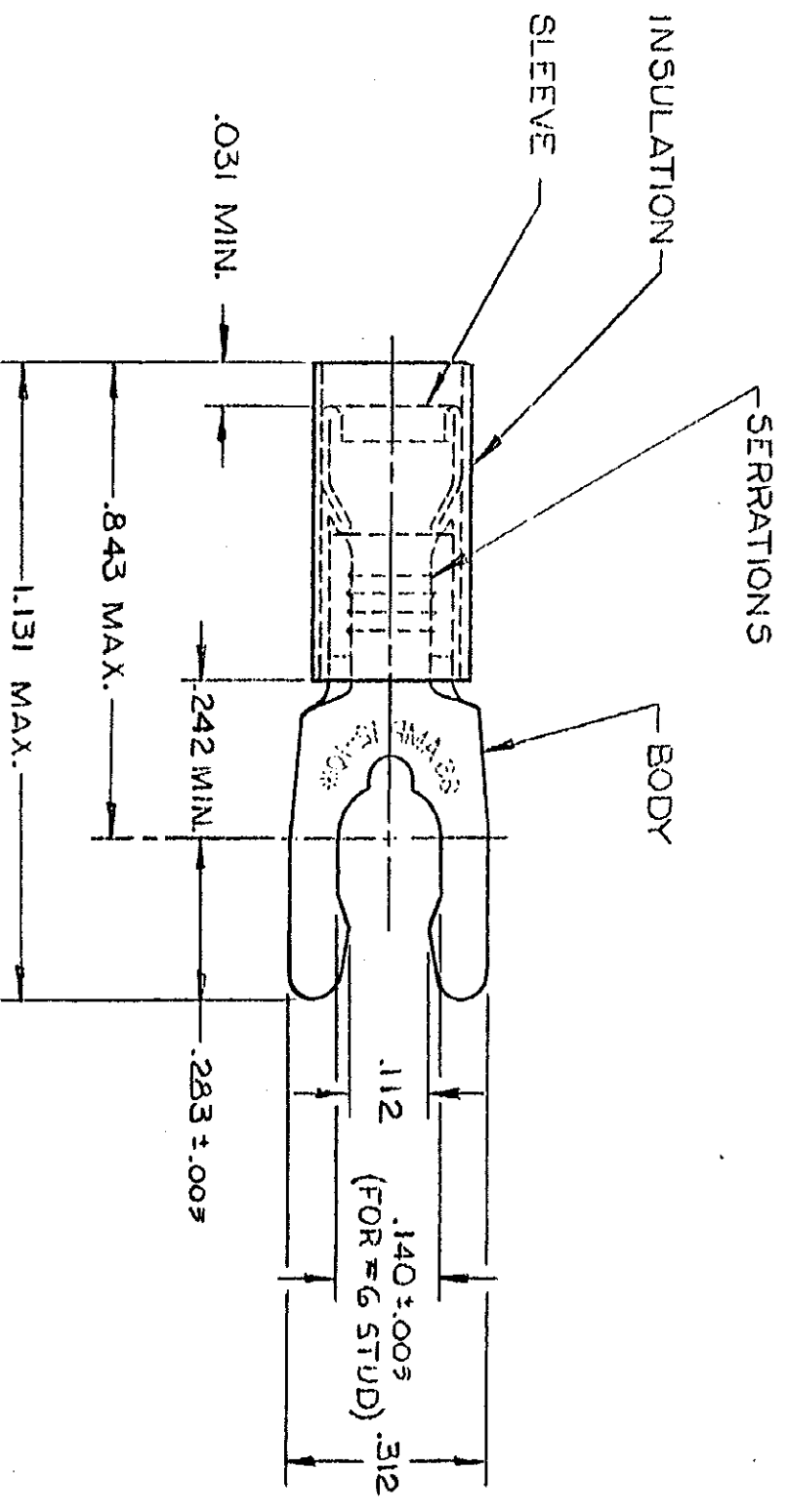
Tel: +86-755-8981 8866 Fax: +86-755-8427 6832

Email & Skype: info@chipsmall.com Web: www.chipsmall.com

Address: A1208, Overseas Decoration Building, #122 Zhenhua RD., Futian, Shenzhen, China



THIS DRAWING IS UNPUBLISHED. RELEASED FOR PUBLICATION BY AMP INCORPORATED, HARRISBURG, PA. ALL INTERNATIONAL RIGHTS RESERVED. AMP PRODUCTS MAY BE COVERED BY U.S. AND FOREIGN PATENTS AND/OR PATENTS PENDING.



- 1 WIRE INSULATION DIA. = SEE TABLE, DIM. "A"
- 2 TONGUE MATERIAL THK. = .040 ± .002
- 3 BODY FINISH: TIN PLATE (MIL-T-10727) .000100 MIN THK

REVISIONS		DATE	APPROVED
P	F ZONE	LTR	DESCRIPTION
✓		D	REDRAWN-REVISED PER G-1477.
✓		E	G-1175, P85-0087 & P85-C0891G-1928
✓		F	OBSOLETE -4 PER G-2393
✓		G	REVISED G-3044
✓		H	OBS -5 PER G-3358
✓			REV PER G-5648

OBsolete

DIM. "A"	QUANTITY	DESCRIPTION	PART NO
.150-.250	500	ON TAPE, 16 BOX	52430-2
.150-.250	500	ON TAPE, 25 BOX	52430-4
.150-.250	2500	ON TAPE, REEL	52430-3
.150-.230	2500	ON TAPE, REEL	52430-2
.150-.250	---	LOOSE PIECE	52430-1
.150-.230	---	LOOSE PIECE	52430

UNLESS OTHERWISE SPECIFIED DIMENSIONS ARE IN INCHES TOLERANCES ON: DECIMALS ±.008 ANGLES ±.008

MATERIAL INSULATION: NYLON - YELLOW SLEEVE: COPPER (QQ-C-576) BODY: PHOSPHOR BRONZE (QQ-B-750)

CONTRACT NO
DR UTA / RFB 9-26-85

CHK
APPD
DSGN APPD
OTHER APPD

AMP INCORPORATED
Harrisburg, Pa.

TERMINAL SPADE
P.I.D.G., SPRING
WIRE SIZE: 12-10

SCALE B NTS
FSCM NO 00779
DRAWING NO 52430
SHEET 1 OF 1