



Chipsmall Limited consists of a professional team with an average of over 10 year of expertise in the distribution of electronic components. Based in Hongkong, we have already established firm and mutual-benefit business relationships with customers from,Europe,America and south Asia,supplying obsolete and hard-to-find components to meet their specific needs.

With the principle of “Quality Parts,Customers Priority,Honest Operation,and Considerate Service”,our business mainly focus on the distribution of electronic components. Line cards we deal with include Microchip,ALPS,ROHM,Xilinx,Pulse,ON,Everlight and Freescale. Main products comprise IC,Modules,Potentiometer,IC Socket,Relay,Connector.Our parts cover such applications as commercial,industrial, and automotives areas.

We are looking forward to setting up business relationship with you and hope to provide you with the best service and solution. Let us make a better world for our industry!



## Contact us

Tel: +86-755-8981 8866 Fax: +86-755-8427 6832


Email & Skype: info@chipsmall.com Web: www.chipsmall.com

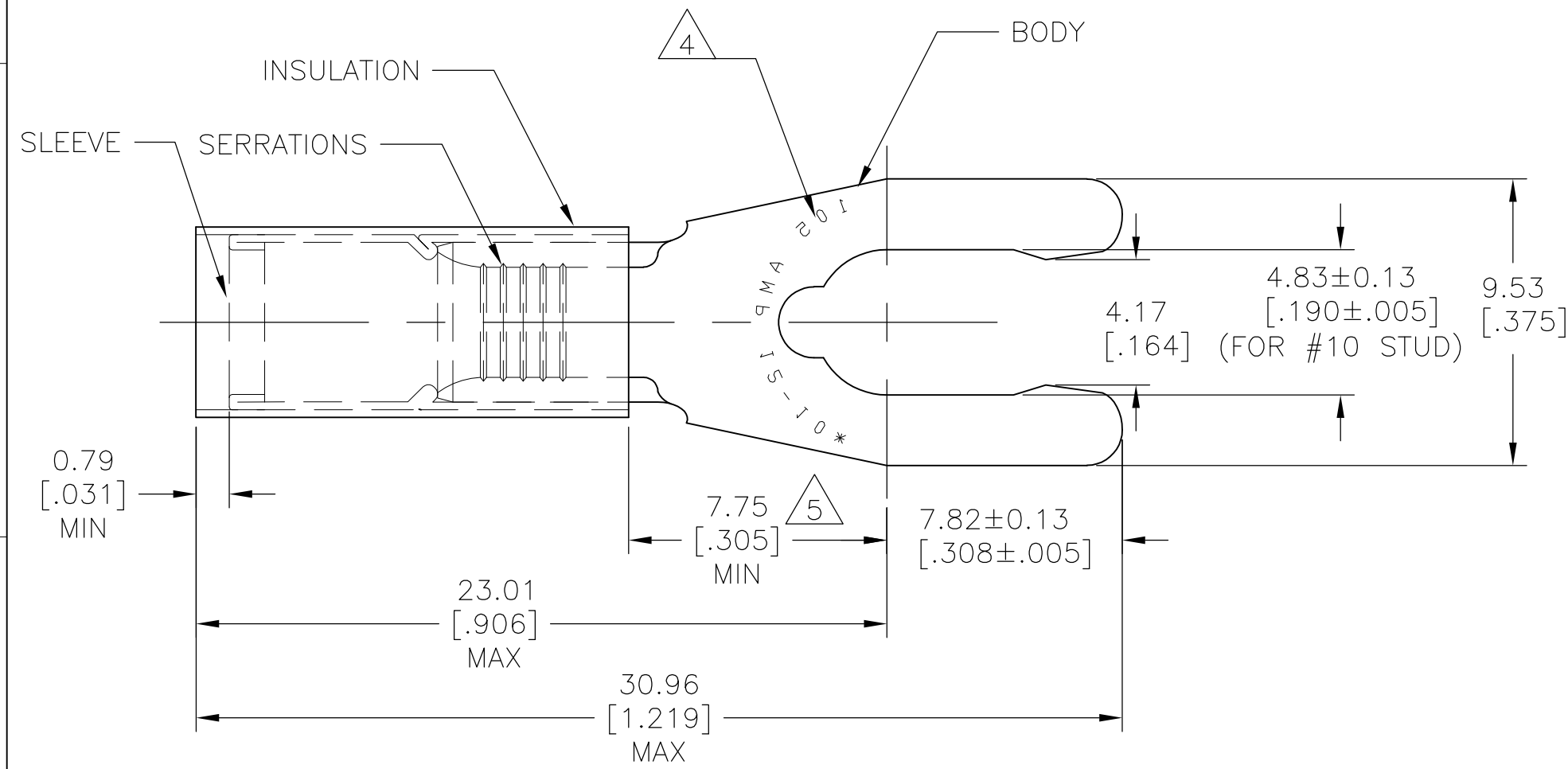
Address: A1208, Overseas Decoration Building, #122 Zhenhua RD., Futian, Shenzhen, China



THIS DRAWING IS UNPUBLISHED. RELEASED FOR PUBLICATION  
 © COPYRIGHT - By - ALL RIGHTS RESERVED.

LOC	DIST	REVISIONS			
P	LTR	DESCRIPTION	DATE	DWN	APVD
	F1	NEW DRAWING PER ECO-11-019045	09APR12	KH	DR

<b>AMP</b> WIRE RANGE	 Listed FILE E13288
12-10 AWG SOLID OR STRANDED	12-10 AWG SOLID OR STRANDED



- 1 FOR WIRE INSULATION DIA:  
3.81[.150] TO 6.35[.250]
- 2 FOR WIRE INSULATION DIA:  
3.81[.150] TO 5.84[.230]
- 3 TONGUE MATERIAL THK: 0.98±0.05[.0385±.0020]
- 4 STAMP 105 AMP 12-10\* APPROX AS SHOWN
- 5 DIMENSION APPLIES FROM EDGE OF METAL WIRE BARREL TO CENTER OF STUD.
- 6 MATERIAL:  
BODY: PHOSPHOR BRONZE PER ASTM B139  
SLEEVE: COPPER PER ASTM B152  
INSULATION: NYLON.
- 7 FINISH:  
BODY&SLEEVE: TIN PLATE PER ASTM B545  
INSULATION: COLOR-YELLOW

1	2500	ON TAPE REEL	52432-3
2	2500	ON TAPE REEL	52432-2
1	500	LOOSE PIECE	52432-1
	QTY	PACKAGE TYPE	PART NO

**AMP INCORPORATED**  
**CUSTOMER SERVICE SYSTEMS**

FOR ADDITIONAL PRODUCT INFORMATION OR COPIES OF DRAWINGS AND TECHNICAL DOCUMENTS: PRODUCT INFORMATION CENTER 1-800-522-6752

FOR APPLICATION TOOLING INFORMATION: TOOLING ASSISTANCE CENTER 1-800-722-1111

FOR ORDER ENTRY: 1-800-526-5142

RECOMMENDED OPERATING TEMPERATURE: 105°C [221°F]

VOLTAGE RATING: 300V MAX

WIRE CROSS SECTIONAL AREA RANGE: 2.62-6.64mm<sup>2</sup> [5,180-13,100] SOLID OR STRANDED

THIS DRAWING IS A CONTROLLED DOCUMENT.


DIMENSIONS: mm [INCHES]

TOLERANCES UNLESS OTHERWISE SPECIFIED:

0 PLC	± -
1 PLC	± -
2 PLC	± 0.203[.008]
3 PLC	± -
4 PLC	± -
ANGLES	± 5°

MATERIAL: 6

FINISH: 7

DWN KIRAN HOLAL 27MAR12	 TE Connectivity		
CHK ROHDE DANIEL 27MAR12			
APVD ROHDE DANIEL 27MAR12	NAME		
PRODUCT SPEC	WIRE TERMINAL P.I.D.G SPRING SPADE WIRE SIZE: 12-10		
APPLICATION SPEC	SIZE	CAGE CODE	DRAWING NO
WEIGHT	A3	00779	C-52432
CUSTOMER DRAWING		SCALE 5:1	SHEET 1 OF 1
		REV F1	RESTRICTED TO