



Chipsmall Limited consists of a professional team with an average of over 10 year of expertise in the distribution of electronic components. Based in Hongkong, we have already established firm and mutual-benefit business relationships with customers from,Europe,America and south Asia,supplying obsolete and hard-to-find components to meet their specific needs.

With the principle of “Quality Parts,Customers Priority,Honest Operation,and Considerate Service”,our business mainly focus on the distribution of electronic components. Line cards we deal with include Microchip,ALPS,ROHM,Xilinx,Pulse,ON,Everlight and Freescale. Main products comprise IC,Modules,Potentiometer,IC Socket,Relay,Connector.Our parts cover such applications as commercial,industrial, and automotives areas.

We are looking forward to setting up business relationship with you and hope to provide you with the best service and solution. Let us make a better world for our industry!



Contact us

Tel: +86-755-8981 8866 Fax: +86-755-8427 6832

Email & Skype: info@chipsmall.com Web: www.chipsmall.com

Address: A1208, Overseas Decoration Building, #122 Zhenhua RD., Futian, Shenzhen, China



THIS DRAWING IS UNPUBLISHED.

RELEASED FOR PUBLICATION

© COPYRIGHT BY TYCO ELECTRONICS CORPORATION.

ALL INTERNATIONAL RIGHTS RESERVED.

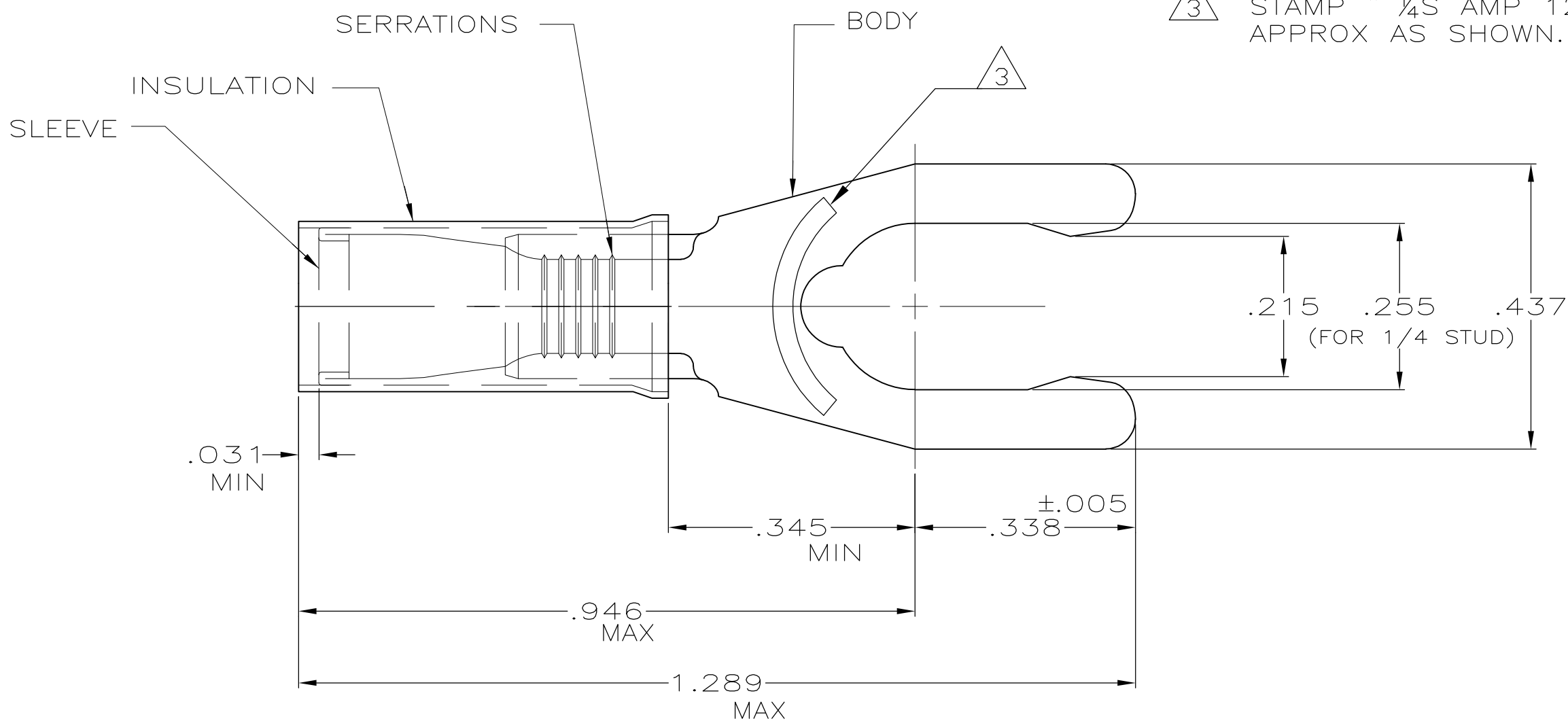
LOC G DIST 14

REVISIONS

P	LTR	DESCRIPTION	DATE	DWN	APVD
	N1	REV PER ECR 10-013673	29JUN10	JR	TM

AMP WIRE RANGE	Listed	LR7189 Certified
12-10 AWG SOLID OR STRANDED	12-10 AWG SOLID OR STRANDED	12-10 AWG SOLID OR STRANDED

- 1 FOR WIRE INSULATION DIA (SEE TABLE).
- 2 TONGUE MATERIAL THK IS .0385±.002
- 3 STAMP " ¼S AMP 12-10*", LOCATED APPROX AS SHOWN.



.235 MIN	WIRE TERMINAL ON TAPE	52433-3	INSULATION: NYLON, COLOR: YELLOW SLEEVE: COPPER PER ASTM B-152
.253 MIN	WIRE TERMINAL	52433-1	BODY: PHOS. BRONZE PER ASTM B-103 TIN PLATE PER ASTM B-545
WIRE INS. DIA	DESCRIPTION	PART NO.	MATERIAL & FINISH

THIS DRAWING IS A CONTROLLED DOCUMENT.		DWN JR RUTH 06MAR01	Tyco Electronics Corporation Harrisburg, PA 17105-3608	
DIMENSIONS: INCHES		CHK MS FEHER 06MAR01		
TOLERANCES UNLESS OTHERWISE SPECIFIED:		APVD T MICHELUTTI 06MAR01	NAME	
0 PLC ± -		PRODUCT SPEC	WIRE TERMINAL, PIDG, SPRING SPADE, 12-10 AWG	
1 PLC ± -		APPLICATION SPEC	-	
2 PLC ± -		WEIGHT	SIZE	RESTRICTED TO
3 PLC ± .008		—	CAGE CODE	—
4 PLC ± -		—	DRAWING NO	—
ANGLES ± -		—	—	—
MATERIAL SEE TABLE	FINISH SEE TABLE	A300779 C-52433		
CUSTOMER DRAWING			SCALE 5:1	SHEET 1 OF 1
			REV N1	