



Chipsmall Limited consists of a professional team with an average of over 10 year of expertise in the distribution of electronic components. Based in Hongkong, we have already established firm and mutual-benefit business relationships with customers from,Europe,America and south Asia,supplying obsolete and hard-to-find components to meet their specific needs.

With the principle of "Quality Parts,Customers Priority,Honest Operation,and Considerate Service",our business mainly focus on the distribution of electronic components. Line cards we deal with include Microchip,ALPS,ROHM,Xilinx,Pulse,ON,Everlight and Freescale. Main products comprise IC,Modules,Potentiometer,IC Socket,Relay,Connector.Our parts cover such applications as commercial,industrial, and automotives areas.

We are looking forward to setting up business relationship with you and hope to provide you with the best service and solution. Let us make a better world for our industry!



## Contact us

Tel: +86-755-8981 8866 Fax: +86-755-8427 6832

Email & Skype: info@chipsmall.com Web: www.chipsmall.com

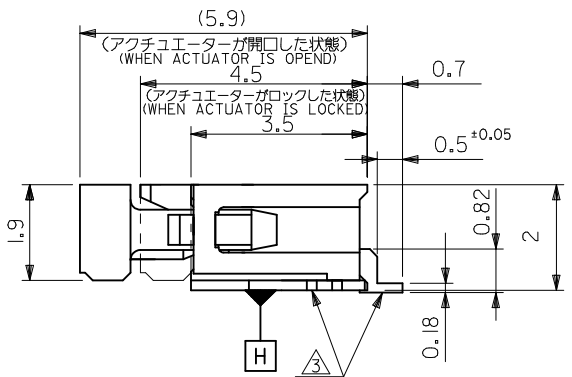
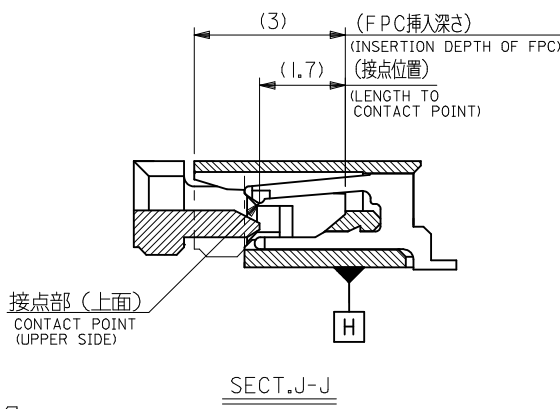
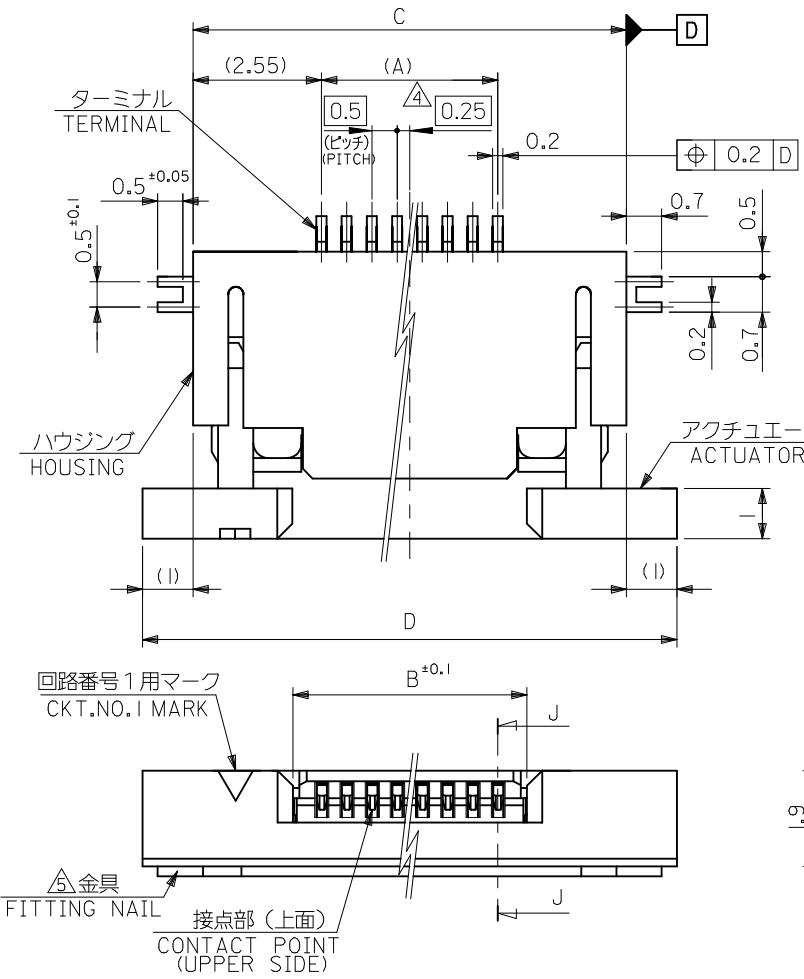
Address: A1208, Overseas Decoration Building, #122 Zhenhua RD., Futian, Shenzhen, China



注記 NOTES

1. 使用材料 : MATERIAL  
 ハウジング : 46ナイロン, UL94V-0  
 HOUSING : 46NYLON  
 アクチュエータ : PPS, UL94V-0  
 ACTUATOR  
 ターミナル : リン青銅 (t=0.2)  
 TERMINAL : PHOS-BRO  
 : 錫ビスマスマッキ 1.0マイクロメートル以上  
 TIN-BISMUTH I.O MICROMETER MINIMUM  
 : ニッケル下地 1.0マイクロメートル以上  
 NICKEL (UNDER PLATING) I.O MICROMETER MINIMUM  
 金具 : リン青銅 (t=0.2)  
 FITTING NAIL : PHOS-BRO  
 : 錫メッキ 1.0マイクロメートル以上  
 TIN I.O MICROMETER MINIMUM  
 : ニッケル下地 1.0マイクロメートル以上  
 NICKEL (UNDER PLATING) I.O MICROMETER MINIMUM
2. エンボステープ梱包時は、アクチュエータがロックした状態とする。  
 IN THE PACKAGE, ACTUATOR OF PART NO.52435-\*\*26 SHOULD BE LOCKED.
- △ ソルダータール半田付け面のズレ量、及び金具半田付け面のズレ量は、基準面 H に対し上方向 0.1 MAX. , 下方向 0.15MAX. とする。  
 MISALIGNMENT OF SOLDER TAILS AND FITTING NAILS FROM H UPPER DIRECTION: 0.1 MAX. , LOWER DIRECTION: 0.15MAX.
- △ 偶数極に適用。  
 APPLY FOR EVEN CIRCUIT.
- △ パターンはくり止め用金具。  
 FITTING NAIL FOR PREVENTION OF PEELING OF P.C.B. PATTERN.
- △ R.O. 3は、FPCの導体部にかからないこと。  
 R.O.3 MUST NOT BE OVERLAPPED TO PATTERN OF FPC.
7. 本製品は52435-\*\*27の鉛フリー品です。  
 THIS PRODUCT IS LEAD FREE OF 52435-\*\*27.
8. MATERIAL NO.  
 52435-\*\*2\*  
 52435-\*\*7\*

|   |         |
|---|---------|
| 1 | BLACK   |
| 6 | NATURAL |
| 2 | NATURAL |
| 3 | BLACK   |



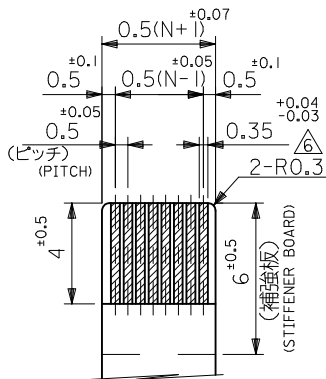
|              |                        |
|--------------|------------------------|
| 52435-**2*   | MODEL NO.              |
| DESIGN UNITS | THIRD ANGLE PROJECTION |
| METRIC       |                        |

0.5 FPC CONN ZIF FOR SMT  
 R/A (TOP CONTACT)  
 -LEAD FREE-

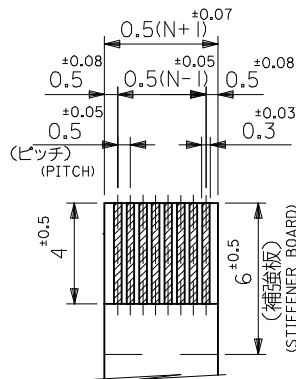


SD-52435-019 SHEET NO. 1 OF 2

|  |                                       |           |            |   |                    |              |
|--|---------------------------------------|-----------|------------|---|--------------------|--------------|
| REVISED<br>EC NO: J2016-0844<br>DRWN: YMIJUN02 2016/02/10<br>CHKD: KTAKAHASHI 2016/02/10<br>APPR: TKUSUHARA01 2016/02/19 | GENERAL TOLERANCES (UNLESS SPECIFIED) |           |            | DIMENSION STYLE<br>MM ONLY  |                    | SCALE<br>--- |
|  | 0.25 UNDER                            | UNDER     | ±0.03      | DRAWN BY<br>YMAEDA  | DATE<br>2005/11/10 | TITLE        |
|  | 0.25 OVER                             | 0.5 UNDER | ±0.05      | CHECKED BY<br>MTANAKA   | DATE<br>2005/11/10 |              |
|  | 0.5 OVER                              | 1.0 UNDER | ±0.1       | APPROVED BY<br>NUKITA   | DATE<br>2005/11/10 |              |
|  | 1.0 OVER                              | 10 UNDER  | ±0.2       | MATERIAL NO.  | DOCUMENT NO.       |              |
|  | 10 OVER                               | 30 UNDER  | ±0.25      | SEE CHART   |                    |              |
| 30 OVER  |                                       | ±0.3      | SIZE<br>A3 | THIS DRAWING CONTAINS INFORMATION THAT IS PROPRIETARY TO MOLEX ELECTRONIC TECHNOLOGIES, LLC AND SHOULD NOT BE USED WITHOUT WRITTEN PERMISSION |                    |              |
|  | ANGULAR ±3 °                          |           |            | DRAFT WHERE APPLICABLE MUST REMAIN WITHIN DIMENSIONS  |                    |              |



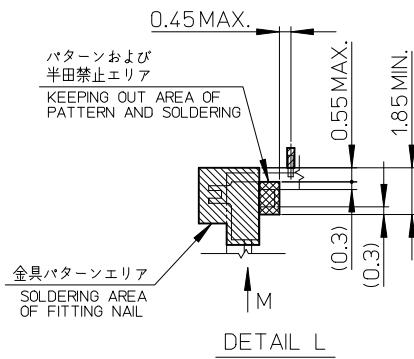
適合FPC推奨寸法  
 APPLICABLE FPC  
 RECOMMENDED DIMENSION.  
 (仕上がり厚さ: 0.3<sup>+0.05</sup>)  
 (THICKNESS: 0.3<sup>+0.05</sup>)



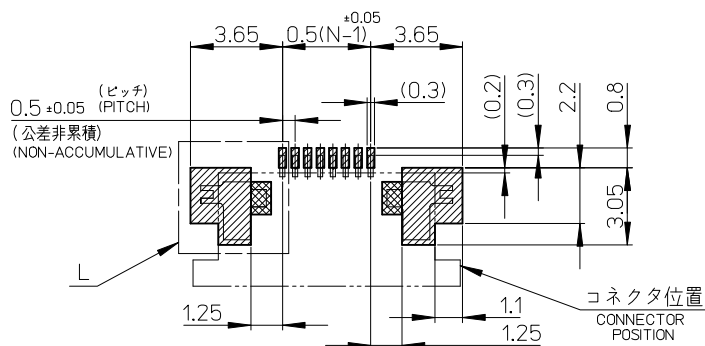
適合FFC推奨寸法  
 APPLICABLE FFC  
 RECOMMENDED DIMENSION.  
 (仕上がり厚さ: 0.3<sup>+0.05</sup>)  
 (THICKNESS: 0.3<sup>+0.05</sup>)

FPCについて:  
 打抜き方向は導体側から補強板側を推奨致します。  
 補強フィルム材質はポリイミドを推奨致します。  
 接着剤は熱硬化接着剤を推奨致します。

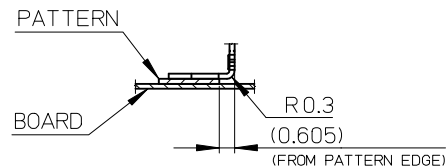
ABOUT FPC:  
 RECOMMENDED PUNCHER DIRECTION : FROM CONDUCTOR SIDE TO STIFFENER BOARD SIDE.  
 RECOMMENDED MATERIAL :  
 STIFFENER FILM : POLYIMIDE  
 BONDING AGENT : THERMOSETTING BONDING AGENT



DETAIL L



参考基板レイアウト  
 (マウント面)  
 RECOMMENDED P.C. BOARD  
 PATTERN DIMENSION (REF.)  
 (MOUNTING SIDE)



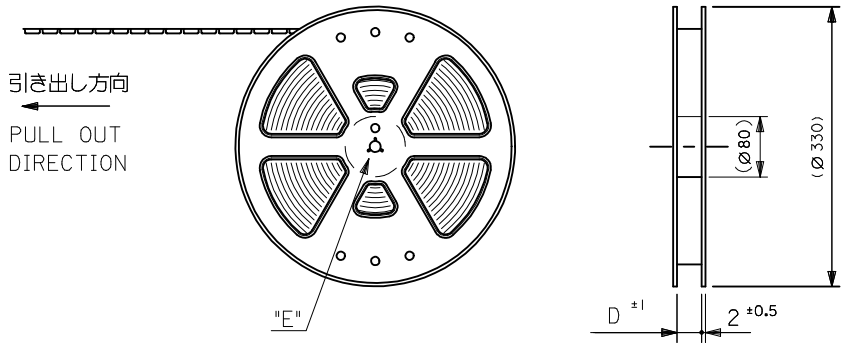
VIEW M  
 (DETAIL OF FITTING NAIL  
 ON PATTERN)

|          |          |          |            |                                   |              |            |
|----------|----------|----------|------------|-----------------------------------|--------------|------------|
| 21.6     | 19.6     | 15.65    | 14.5       | 52435-3072                        | 52435-3026   | 30         |
| 21.1     | 19.1     | 15.15    | 14.0       | -2972                             | -2926        | 29         |
| 20.6     | 18.6     | 14.65    | 13.5       | -287*                             | -282*        | 28         |
| 19.6     | 17.6     | 13.65    | 12.5       | -2672                             | -2626        | 26         |
| 19.1     | 17.1     | 13.15    | 12.0       | -2572                             | -2526        | 25         |
| 18.6     | 16.6     | 12.65    | 11.5       | -2472                             | -2426        | 24         |
| 18.1     | 16.1     | 12.15    | 11.0       | -2372                             | -2326        | 23         |
| 17.6     | 15.6     | 11.65    | 10.5       | -2272                             | -2226        | 22         |
| 17.1     | 15.1     | 11.15    | 10.0       | 52435-2172                        | 52435-2126   | 21         |
| <b>D</b> | <b>C</b> | <b>B</b> | <b>(A)</b> | EMBOSSED TAPE<br>ORDER No. オーダー番号 | MATERIAL NO. | 極数<br>CRT. |

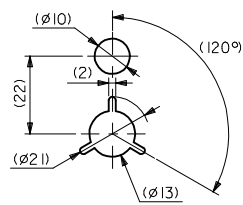
|  |  |           |                            |  |              |  |                           |
|--|--|-----------|----------------------------|--|--------------|--|---------------------------|
| SEE SHEET 1<br>EC NO: J2016-0844<br>DRWN: YMIJUN002 2016/02/10<br>CHKD: TAKAHASHI 2016/02/10<br>APPR: TKUSUHARA01 2016/02/19 | GENERAL TOLERANCES<br>(UNLESS SPECIFIED) |           | DIMENSION STYLE<br>MM ONLY |  | SCALE<br>--- | DESIGN UNITS<br>METRIC                                       | THIRD ANGLE<br>PROJECTION |
|  | 0.25 UNDER                               | UNDER     | ±0.03                      | DRAWN BY   | DATE         | TITLE  |                           |
|  | 0.25 OVER                                | 0.5 UNDER | ±0.05                      | YMAEDA   | 2005/11/10   | 0.5 FPC CONN ZIF FOR SMT<br>R/A (TOP CONTACT)<br>-LEAD FREE- |                           |
|  | 0.5 OVER                                 | 1.0 UNDER | ±0.1                       | CHECKED BY   | DATE         | molex<br>SD-52435-019  |                           |
| 1.0 OVER   | 10 UNDER                                 | ±0.2      | MTANAKA                    | 2005/11/10   | SHEET NO.    |  |                           |
| 10 OVER  | 30 UNDER                                 | ±0.25     | APPROVED BY                | DATE   | 2 OF 2       |  |                           |
| 30 OVER  |  | ±0.3      | NUKITA                     | 2005/11/10   |              |  |                           |
| ANGULAR  | ±3 °                                     |           | MATERIAL NO.               | DOCUMENT NO.   |              |  |                           |
| DRAFT WHERE APPLICABLE<br>MUST REMAIN<br>WITHIN DIMENSIONS   |  |           | SIZE<br>A3                 | THIS DRAWING CONTAINS INFORMATION THAT IS PROPRIETARY TO MOLEX ELECTRONIC<br>TECHNOLOGIES, LLC AND SHOULD NOT BE USED WITHOUT WRITTEN PERMISSION |              |  |                           |

注記 NOTES

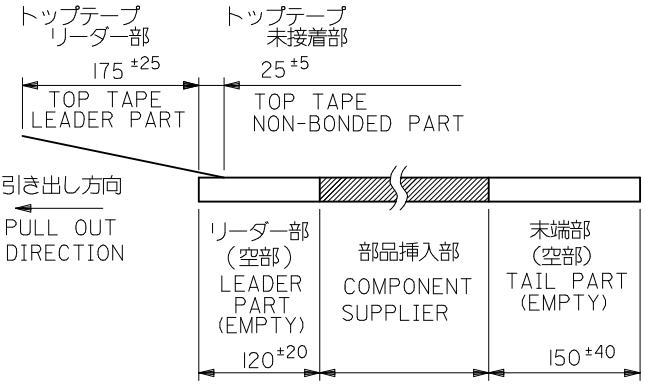
- 製品番号 52435-\*\*26 の梱包状態はアクチュエータがロックした状態とする。  
 詳細寸法については図面SD-52435-019 を参照下さい。  
 IN THE PACKAGE,ACTUATOR OF PART NO.52435-\*\*26 SHOULD BE LOCKED RE DETAILED DIMENSIONS,SEE SD-52435-019
- 梱包数量：1000個/リール  
 NUMBER OF CONNECTORS:1000PCS/REEL
- リードテープ長さ LEAD TAPE LENGTH



引き出し方向  
PULL OUT DIRECTION



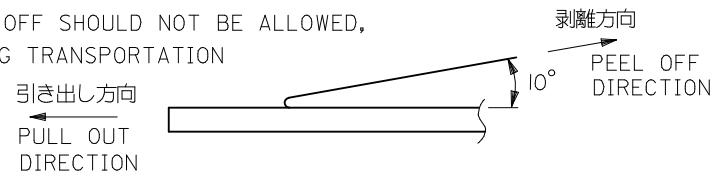
DETAIL "E"



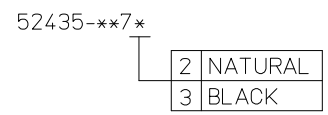
引き出し方向  
PULL OUT DIRECTION

- 材料 (MATERIAL)  
 キャリアテープ (CARRIER TAPE) :ポリプロピレン (POLYPROPYLENE)  
 トップテープ (TOPTAPE) : PET, PE, PEF  
 リール (REEL) : ポリスチレン (PS) <リサイクル材を含む>  
 POLYSTYREN (PS) <RECYCLE MATERIAL CONTAINED>
- 本製品は52435-\*\*91の鉛フリー品です。  
 THIS PRODUCT IS LEAD FREE OF 52435-\*\*91.

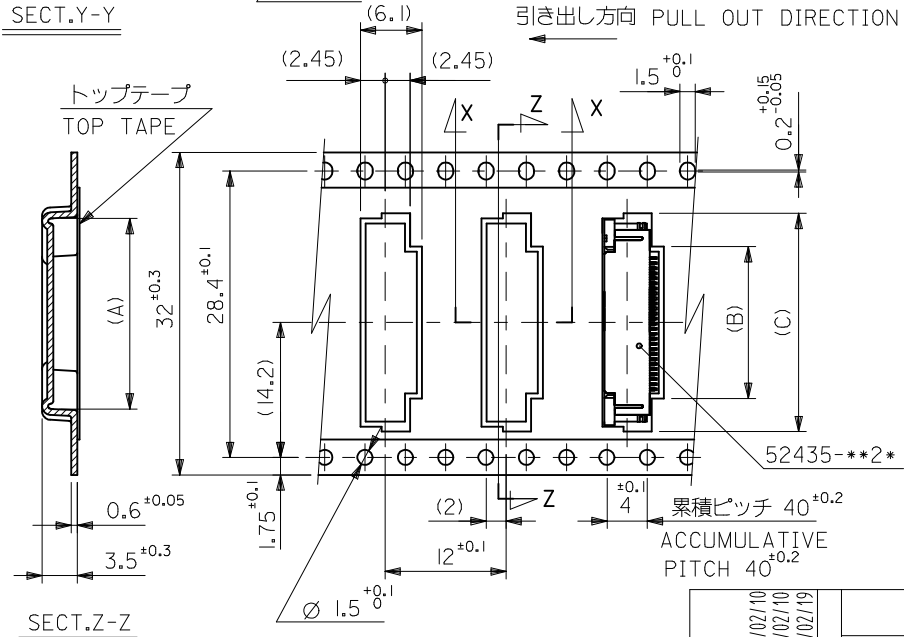
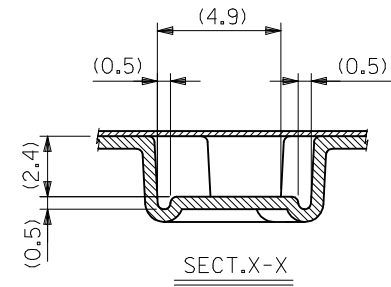
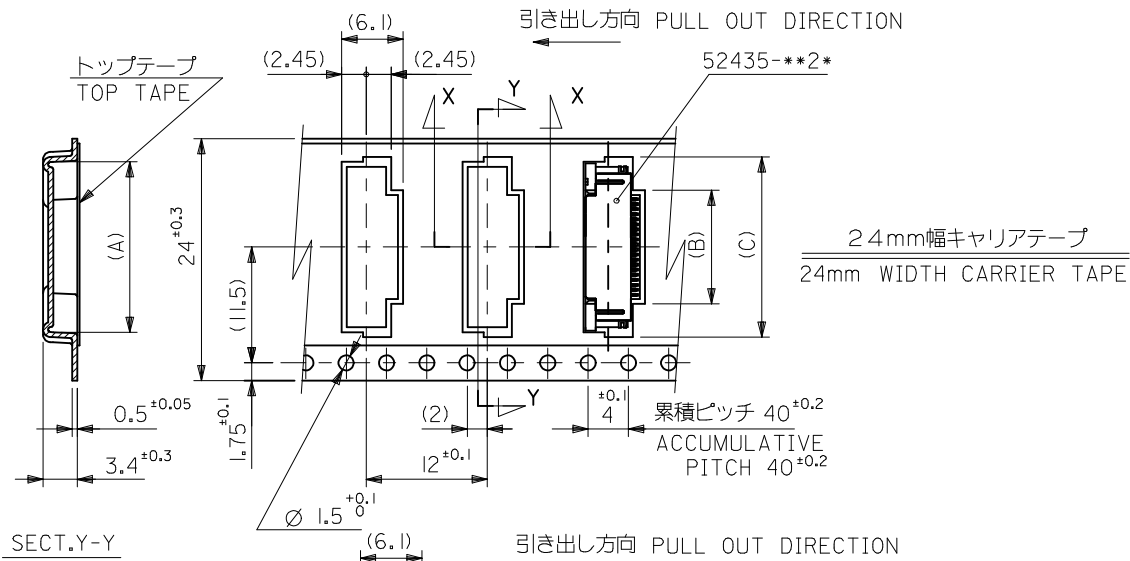
- トップテープの剥離強度：(剥離方向は下図参照)  
 0.1N~1.3N (10gf~130gf) 尚、本規格値は、出荷時に適用。  
 (但し、輸送時に剥離が発生しない事。)  
 PEELING OFF FORCE OF TOP TAPE  
 0.1N~1.3N(10gf~130gf)(PEELING DIRECTION AS SHOWN IN FOLLOWING FIG.)  
 THIS REQUIREMENT SHOULD BE APPLIED AT SHIPMENT  
 PEEL OFF SHOULD NOT BE ALLOWED,  
 DURING TRANSPORTATION



7. MATERIAL NO.

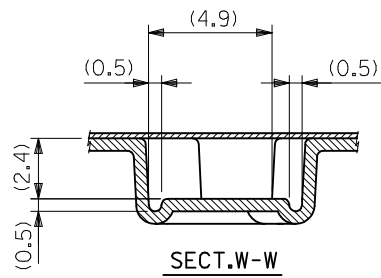
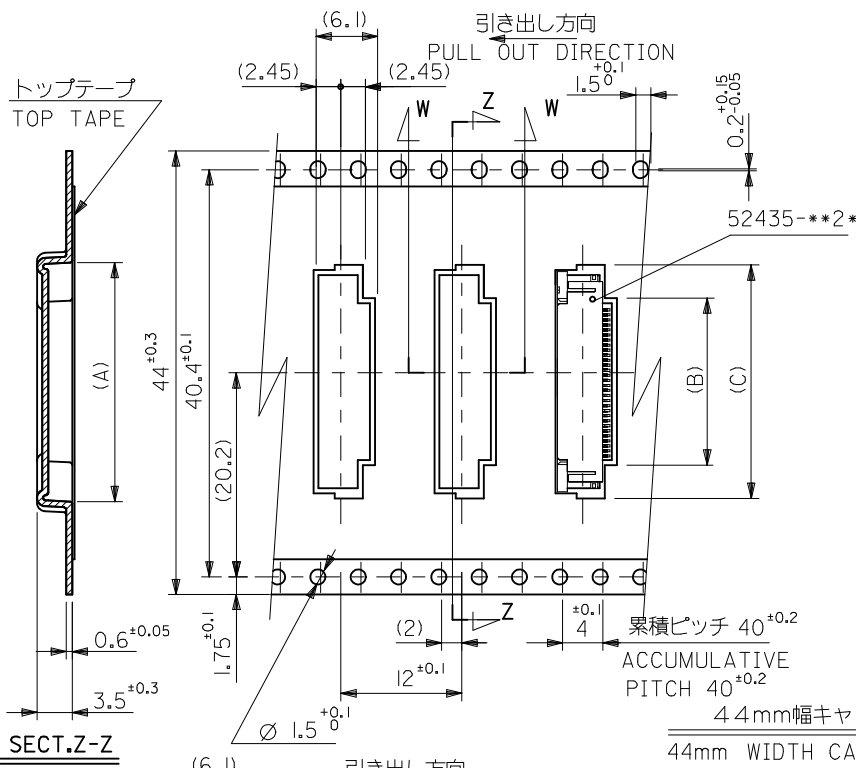


|  |                                       |           |   |                           |                    |  |                        |
|--|---------------------------------------|-----------|---|---------------------------|--------------------|--|------------------------|
| REVISED<br>EC NO: J2016-0844<br>DRWN: YMIJUN02 2016/02/10<br>CHKD: TAKAHASHI 2016/02/10<br>APPR: KUSUHARA01 2016/02/19 | GENERAL TOLERANCES (UNLESS SPECIFIED) |           | DIMENSION STYLE<br>MM ONLY  |                           | SCALE<br>---       | DESIGN UNITS<br>METRIC   | THIRD ANGLE PROJECTION |
|  | 0.25 UNDER                            | UNDER     | ±0.03   | DRAWN BY<br>YMAEDA        | DATE<br>2005/11/11 | TITLE<br>0.5 FPC CONN ZIF SMT R/A<br>WITH TAPE EMBSTP PKG<br>-LEAD FREE- |                        |
|  | 0.25 OVER                             | 0.5 UNDER | ±0.05   | CHECKED BY<br>MTANAKA     | DATE<br>2005/11/11 |  |                        |
|  | 0.5 OVER                              | 1.0 UNDER | ±0.1  | APPROVED BY<br>NUKITA     | DATE<br>2005/11/11 |  |                        |
|  | 1.0 OVER                              | 30 UNDER  | ±0.2  | MATERIAL NO.<br>SEE CHART |                    | DOCUMENT NO.<br>SD-52435-020   | SHEET NO.<br>1 OF 3    |
| 10 OVER  | 30 UNDER                              | ±0.25     | THIS DRAWING CONTAINS INFORMATION THAT IS PROPRIETARY TO MOLEX ELECTRONIC TECHNOLOGIES, LLC AND SHOULD NOT BE USED WITHOUT WRITTEN PERMISSION |                           |                    |  |                        |
| 30 OVER  |                                       | ±0.3      |   |                           |                    |  |                        |
| ANGULAR  | ±3 °                                  |           |   |                           |                    |  |                        |
| DRAFT WHERE APPLICABLE MUST REMAIN WITHIN DIMENSIONS   |                                       |           | SIZE<br>A3  |                           |                    |  |                        |



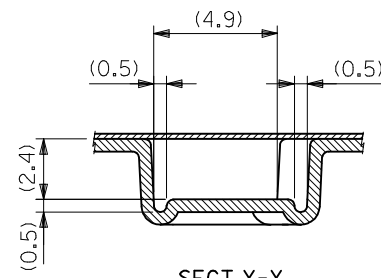
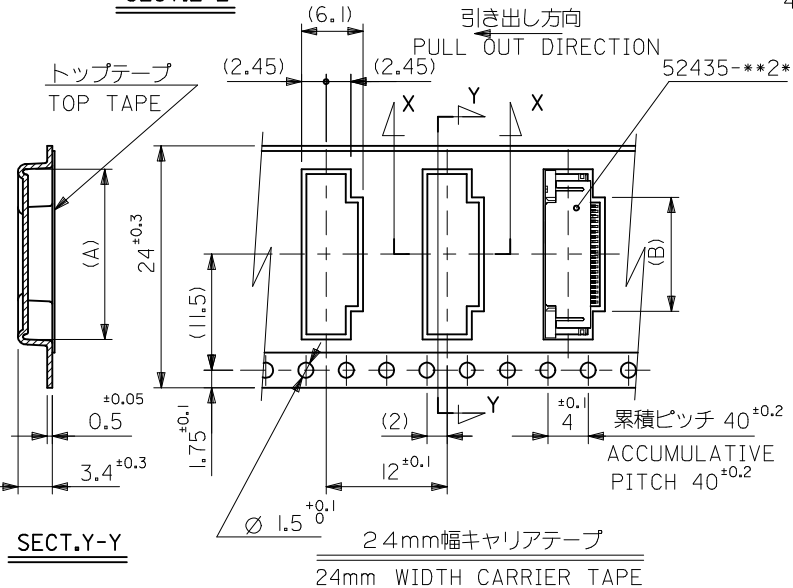
|                                |      |      |      |      |            |               |
|--------------------------------|------|------|------|------|------------|---------------|
| 32                             | 33.5 | 22.4 | 15.8 | 21.4 | 52435-2972 | 29            |
|                                |      | 21.9 | 15.3 | 20.9 | -287*      | 28            |
|                                |      | 20.9 | 14.3 | 19.9 | -2672      | 26            |
|                                |      | 20.4 | 13.8 | 19.4 | -2572      | 25            |
|                                |      | 19.9 | 13.3 | 18.9 | -2472      | 24            |
|                                |      | 19.4 | 12.8 | 18.4 | -2372      | 23            |
|                                |      | 18.9 | 12.3 | 17.9 | 52435-2272 | 22            |
| キャリアテープ幅<br>CARRIER TAPE WIDTH | D    | (C)  | (B)  | (A)  | ENG. NO.   | 極数<br>CIRCUIT |

|  |                                       |           |                 |            |  |   |                        |  |  |
|--|---------------------------------------|-----------|-----------------|------------|--|---|------------------------|--|--|
| SEE SHEET 1<br>EC NO: J2016-0844<br>DRWN: YMIZUNO02 2016/02/10<br>CHKD: KAKAHASHI 2016/02/10<br>APPR: IKUSUHARA01 2016/02/19 | GENERAL TOLERANCES (UNLESS SPECIFIED) |           | DIMENSION STYLE |            | SCALE  | DESIGN UNITS  | THIRD ANGLE PROJECTION |  |  |
|  | 0.25 UNDER                            | UNDER     | ±0.03           | MM ONLY    |  | ---   | METRIC                 |  |  |
|  | 0.25 OVER                             | 0.5 UNDER | ±0.05           | DRAWN BY   | DATE   | TITLE   |                        |  |  |
|  | 0.5 OVER                              | 1.0 UNDER | ±0.1            | YMAEDA     | 2005/11/11   | 0.5 FPC CONN ZIF SMT R/A<br>WITH TAPE EMBSTP PKG<br>-LEAD FREE- |                        |  |  |
|  | 1.0 OVER                              | 10 UNDER  | ±0.2            | CHECKED BY | DATE   |   |                        |  |  |
| 30 OVER  |                                       | ±0.25     | MTANAKA         | 2005/11/11 | <b>molex</b><br>DOCUMENT NO. SD-52435-020 SHEET NO. 2 OF 3   |   |                        |  |  |
| ANGULAR  | ±3 °                                  |           | APPROVED BY     | DATE       |  |   |                        |  |  |
|  |                                       |           | NUKITA          | 2005/11/11 | SEE CHART<br>THIS DRAWING CONTAINS INFORMATION THAT IS PROPRIETARY TO MOLEX ELECTRONIC TECHNOLOGIES, LLC AND SHOULD NOT BE USED WITHOUT WRITTEN PERMISSION |   |                        |  |  |
| DRAFT WHERE APPLICABLE MUST REMAIN WITHIN DIMENSIONS   |                                       |           | SIZE            |            |  |   |                        |  |  |
|  |                                       |           | A3              |            |  |   |                        |  |  |



|                                |      |      |      |      |            |               |
|--------------------------------|------|------|------|------|------------|---------------|
| 44                             | 45.5 | 22.9 | 16.3 | 21.9 | 52435-3072 | 30            |
| キャリアテープ幅<br>CARRIER TAPE WIDTH | D    | (C)  | (B)  | (A)  | ENG. NO.   | 極数<br>CIRCUIT |

44mm幅キャリアテープ  
44mm WIDTH CARRIER TAPE



|                                |      |      |      |            |               |
|--------------------------------|------|------|------|------------|---------------|
| 24                             | 25.5 | 11.8 | 17.4 | 52435-2172 | 21            |
| キャリアテープ幅<br>CARRIER TAPE WIDTH | D    | (B)  | (A)  | ENG. NO.   | 極数<br>CIRCUIT |

24mm幅キャリアテープ  
24mm WIDTH CARRIER TAPE

|  |                                       |           |  |            |              |   |   |  |                        |  |  |
|--|---------------------------------------|-----------|--|------------|--------------|---|---|--|------------------------|--|--|
| <b>SEE SHEET 1</b><br>EC NO: J2016-0844<br>DRWN: YMIZUNO02 2016/02/10<br>CHKD: KTAHASHI 2016/02/10<br>APPR: IKUSUHARA01 2016/02/19 | GENERAL TOLERANCES (UNLESS SPECIFIED) |           | DIMENSION STYLE<br><b>MM ONLY</b>                    |            | SCALE<br>--- |   | DESIGN UNITS<br>METRIC  |  | THIRD ANGLE PROJECTION |  |  |
|  | 0.25 UNDER                            | UNDER     | ±0.03  | DRAWN BY   | DATE         | TITLE   |   |  |                        |  |  |
|  | 0.25 OVER                             | 0.5 UNDER | ±0.05  | YMAEDA     | 2005/11/11   | 0.5 FPC CONN ZIF SMT R/A<br>WITH TAPE EMBSTP PKG<br>-LEAD FREE- |   |  |                        |  |  |
|  | 0.5 OVER                              | 1.0 UNDER | ±0.1   | CHECKED BY | DATE         |   |   |  |                        |  |  |
|  | 1.0 OVER                              | 10 UNDER  | ±0.2   | MTANAKA    | 2005/11/11   | <b>molex</b><br>DOCUMENT NO. SD-52435-020<br>SHEET NO. 3 OF 3   |   |  |                        |  |  |
| 10 OVER  | 30 UNDER                              | ±0.25     | APPROVED BY  | DATE       |              |   |   |  |                        |  |  |
| 30 OVER  |                                       | ±0.3      | NUKITA   | 2005/11/11 | MATERIAL NO. |   | SEE CHART   |  |                        |  |  |
| ANGULAR ±3 °   |                                       |           | DRAFT WHERE APPLICABLE MUST REMAIN WITHIN DIMENSIONS |            | SIZE<br>A3   |   | THIS DRAWING CONTAINS INFORMATION THAT IS PROPRIETARY TO MOLEX ELECTRONIC TECHNOLOGIES, LLC AND SHOULD NOT BE USED WITHOUT WRITTEN PERMISSION |  |                        |  |  |