



Chipsmall Limited consists of a professional team with an average of over 10 year of expertise in the distribution of electronic components. Based in Hongkong, we have already established firm and mutual-benefit business relationships with customers from,Europe,America and south Asia,supplying obsolete and hard-to-find components to meet their specific needs.

With the principle of "Quality Parts,Customers Priority,Honest Operation,and Considerate Service",our business mainly focus on the distribution of electronic components. Line cards we deal with include Microchip,ALPS,ROHM,Xilinx,Pulse,ON,Everlight and Freescale. Main products comprise IC,Modules,Potentiometer,IC Socket,Relay,Connector.Our parts cover such applications as commercial,industrial, and automotives areas.

We are looking forward to setting up business relationship with you and hope to provide you with the best service and solution. Let us make a better world for our industry!



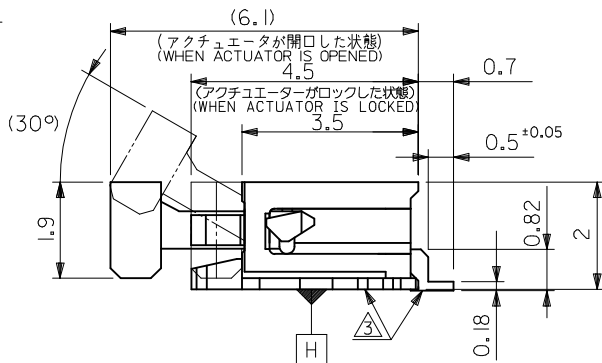
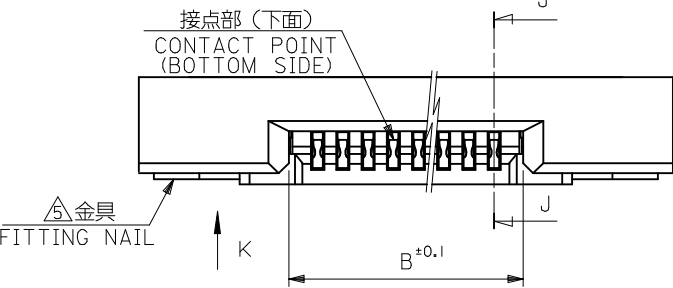
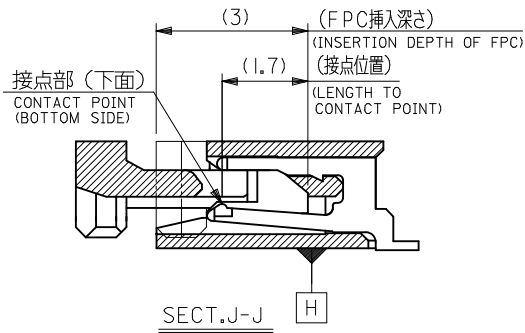
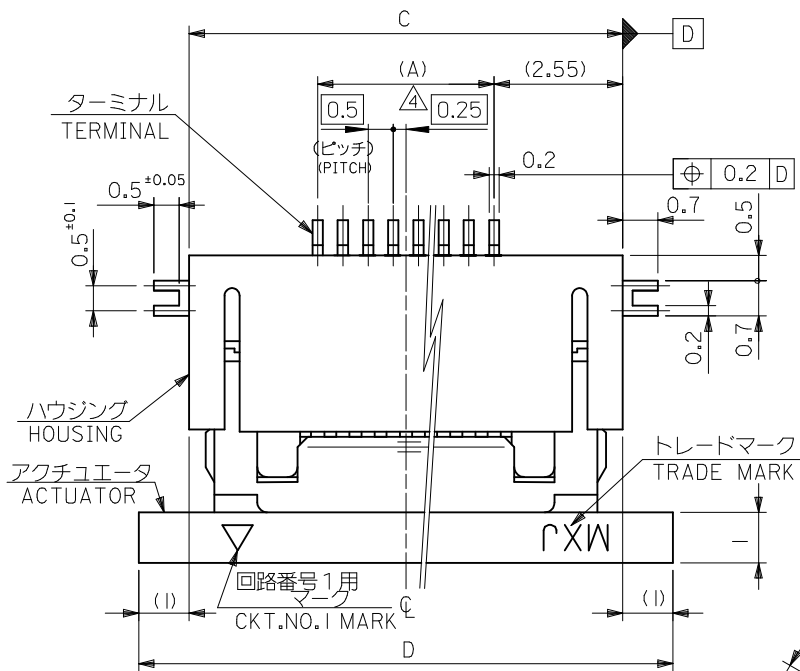
Contact us

Tel: +86-755-8981 8866 Fax: +86-755-8427 6832

Email & Skype: info@chipsmall.com Web: www.chipsmall.com

Address: A1208, Overseas Decoration Building, #122 Zhenhua RD., Futian, Shenzhen, China

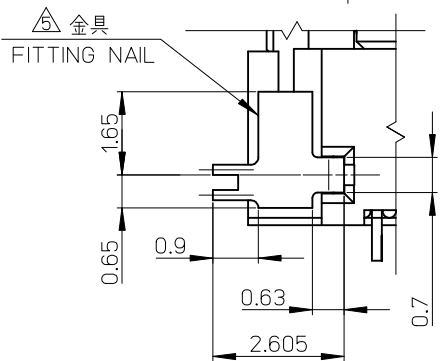




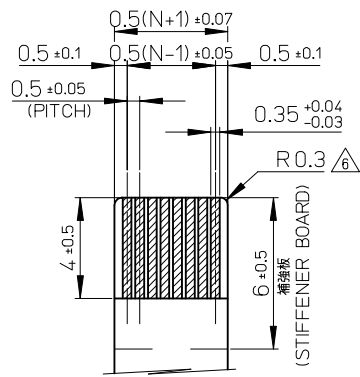
| | | | | | |
|------|------|-------|------|------------|----|
| 21.6 | 19.6 | 15.65 | 14.5 | 52437-3072 | 30 |
| 21.1 | 19.1 | 15.15 | 14.0 | 52437-2972 | 29 |
| 20.6 | 18.6 | 14.65 | 13.5 | 52437-2872 | 28 |
| 20.1 | 18.1 | 14.15 | 13.0 | 52437-2772 | 27 |
| 19.6 | 17.6 | 13.65 | 12.5 | 52437-2672 | 26 |
| 19.1 | 17.1 | 13.15 | 12.0 | 52437-2572 | 25 |
| 18.6 | 16.6 | 12.65 | 11.5 | 52437-2472 | 24 |
| 18.1 | 16.1 | 12.15 | 11.0 | 52437-2372 | 23 |
| 17.6 | 15.6 | 11.65 | 10.5 | 52437-2272 | 22 |
| 17.1 | 15.1 | 11.15 | 10.0 | 52437-2172 | 21 |

| | | | | | |
|---|---|---|-----|------------------|------|
| D | C | B | (A) | EMBOSSED PACKAGE | 極数 |
| | | | | ORDER No. オーダー番号 | CKT. |

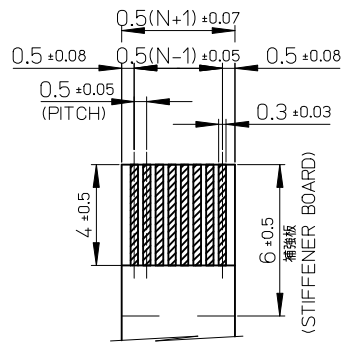
CONNECTOR SERIES NO. : 52437-**26



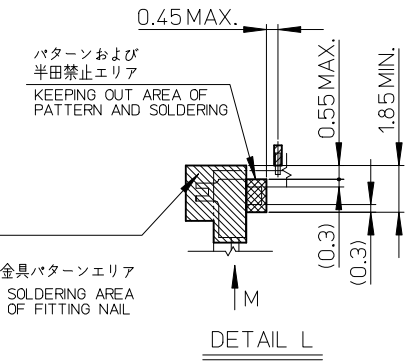
| | | | | | | | | | | |
|---|---------------------------------------|---------------------------------|----------------------------|---|---|--------------|------------------------|-----------|------------------------|--|
| REVISED EC NO. J2013-1532 2013/06/21 DRAWN: INOUE01 2013/06/21 CHKD: HIJIMA 2013/06/21 APPR: YNOGAWA 2013/06/28 | GENERAL TOLERANCES (UNLESS SPECIFIED) | | DIMENSION STYLE MM ONLY | | SCALE --- | | DESIGN UNITS METRIC | | THIRD ANGLE PROJECTION | |
| | 10 UNDER | ±0.2 | DRAWN BY | DATE | TITLE | | | | | |
| | 10 OVER 30 UNDER | ±0.25 | YSAKIYAM | '04/01/08 | 0.5 FPC CONN. ZIF FOR SMT R/A (BOTTOM CONTACT) TIN-BISMUTH PLATING molex | | | | | |
| | 30 OVER | ±0.3 | MSASAO | '04/01/08 | | | | | | |
| ANGULAR ±3 ° | | APPROVED BY MSASAO '04/01/08 | | MATERIAL NO. | | DOCUMENT NO. | | SHEET NO. | | |
| DRAFT WHERE APPLICABLE MUST REMAIN WITHIN DIMENSIONS | | SEE CHART | | THIS DRAWING CONTAINS INFORMATION THAT IS PROPRIETARY TO MOLEX INCORPORATED AND SHOULD NOT BE USED WITHOUT WRITTEN PERMISSION | | SD-52437-017 | | 1 OF 2 | | |



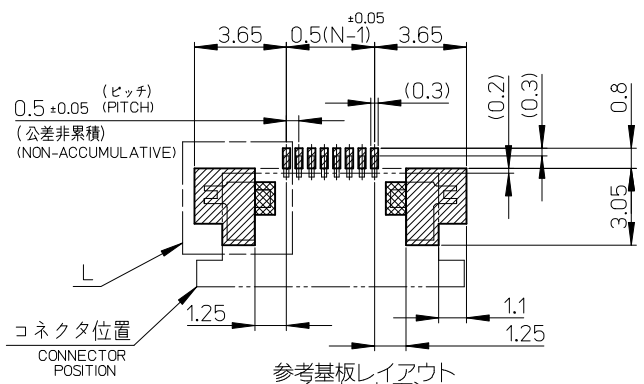
適合錫系めっきFPC推奨寸法
 APPLICABLE FPC OF TIN
 PLATING RECOMMENDED DIMENSION
 仕上がり厚さ: 0.3±0.05
 THICKNESS: 0.3+0.05/-0.05



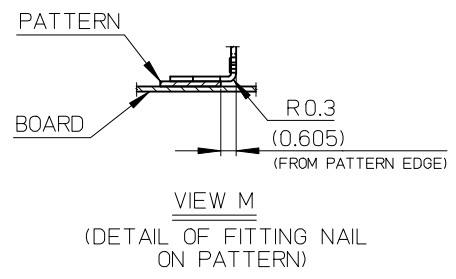
適合錫系めっきFFC推奨寸法
 APPLICABLE FFC OF TIN
 PLATING RECOMMENDED DIMENSION
 仕上がり厚さ: 0.3±0.05
 THICKNESS: 0.3+0.05/-0.05



DETAIL L



参考基板レイアウト
 (マウント面)
 RECOMMENDED P.C. BOARD
 PATTERN DIMENSION (REF.)
 (MOUNTING SIDE)



VIEW M
 (DETAIL OF FITTING NAIL
 ON PATTERN)

注記NOTES

1. 使用材料
 MATERIAL
 ハウジング: 46ナイロン、ガラス充填、UL94V-0、白
 HOUSING: PA46, GLASS FILLED, UL94V-0, WHITE
 アクチュエータ: ポリフェニレンサルフィド (PPS)、ガラス充填、UL94V-0、茶色
 ACTUATOR: POLYPHENYLENE SULFIDE, GLASS FILLED, UL94V-0, BROWN
 ターミナル: リン青銅、ニッケル下地錫ビスマスめっき (t=0.2)
 TERMINAL: PHOSPHOR BRONZE, TIN BISMUTH OVER NICKEL PLATING
 金具: リン青銅、ニッケル下地錫めっき (t=0.2)
 FITTING NAIL: PHOSPHOR BRONZE, TIN OVER NICKEL PLATING
2. エンボステープ梱包時は、アクチュエータがロックした状態になります。
 IN THE PACKAGE, ACTUATOR OF PART NO.52437-**-**26 SHOULD BE LOCKED.
- △ ソルダータール半田付け面のズレ量、及び金具半田付け面のズレ量は、基準面Hに対して上方向に0.1MAXIMUM、下方向0.15MAXIMUMとする。
 MISALIGNMENT OF SOLDER TAILS AND FITTING NAILS FROM DATUM-H.
 UPPER DIRECTION: 0.1MAXIMUM
 LOWER DIRECTION: 0.15 MAXIMUM
- △ 偶数極に適用
 APPLY FOR EVEN CIRCUIT.
- △ ハターン剥離止め金具
 FITTING NAIL FOR PREVENTION OF PEELING OF P.W.B. PATTERN.
- △ R0.3は、FPCの導体部にかからないこと
 R0.3 MUST NOT BE OVERLAPED TO PATTERN OF FPC.
7. ソルダータールの平坦度は、0.1MAXIMUMとする。
 SOLDER TAIL COPLANARITY IS 0.1 MAXIMUM.
8. ELV 及び RoHS 適合品
 ELV AND RoHS COMPLIANT

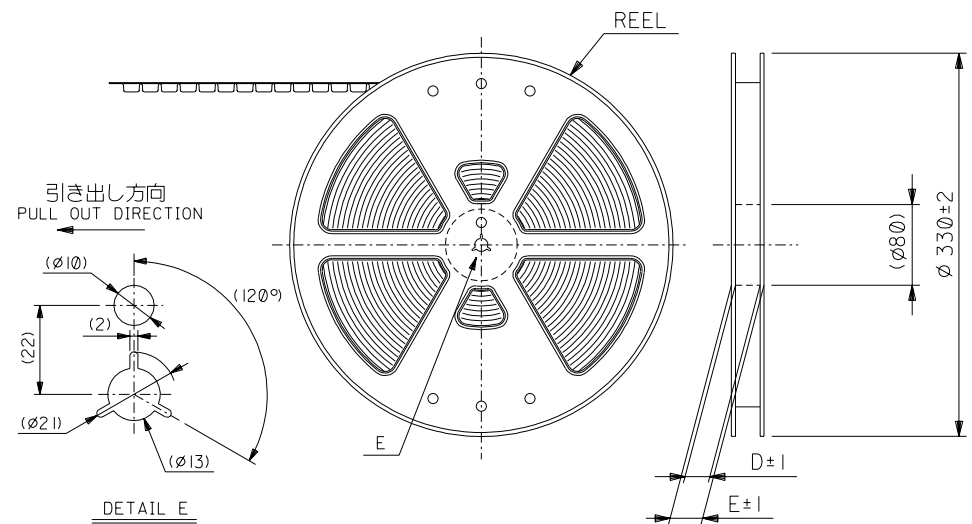
FPCについて:

打抜き方向は導体側から補強板側を推奨致します。
 補強フィルム材質はポリイミドを推奨致します。
 接着剤は熱硬化接着剤を推奨致します。

ABOUT FPC:

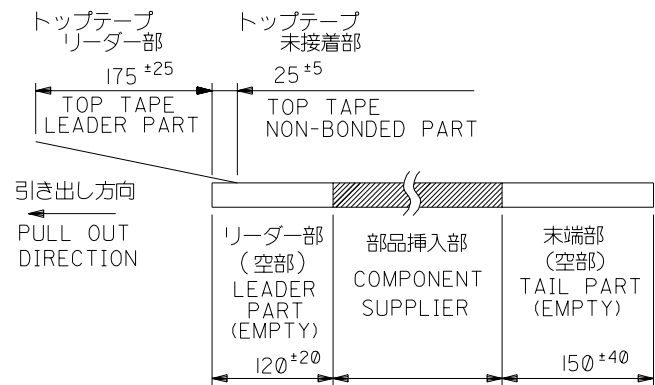
RECOMMENDED PUNCHER DIRECTION :
 FROM CONDUCTOR SIDE TO STIFFENER BOARD SIDE.
 RECOMMENDED MATERIAL:
 STIFFENER FILM : POLYIMIDE
 BONDING AGENT : THERMOSETTING BONDING AGENT

| | | | | | | | | | | |
|--|-------------|---------------------------------------|--|----------------------------|---------------------------|---|------------------------|------------------------|--|--|
| REVISED EC NO: J2013-1532 2013/06/21 DRWNN:INOUE01 2013/06/21 CHKDHI:JIMA 2013/06/21 APPR:YNOGAWA 2013/06/28 | DESCRIPTION | GENERAL TOLERANCES (UNLESS SPECIFIED) | | DIMENSION STYLE MM ONLY | | SCALE --- | DESIGN UNITS METRIC | THIRD ANGLE PROJECTION | | |
| | | 10 UNDER | ±0.2 | DRAWN BY YSAKIYAM | DATE '04/01/08 | TITLE 0.5 FPC CONN. ZIF FOR SMT R/A (BOTTOM CONTACT) TIN-BISMUTH PLATING | | | | |
| | | 10 OVER 30 UNDER | ±0.25 | CHECKED BY MSASAO | DATE '04/01/08 | | | | | |
| | | 30 OVER | ±0.3 | APPROVED BY MSASAO | DATE '04/01/08 | | | | | |
| REV | ANGULAR | ±3 ° | DRAFT WHERE APPLICABLE MUST REMAIN WITHIN DIMENSIONS | | MATERIAL NO. SEE CHART | DOCUMENT NO. SD-52437-017 | SHEET NO. 2 OF 2 | | | |
| | | | | | SIZE A3 | THIS DRAWING CONTAINS INFORMATION THAT IS PROPRIETARY TO MOLEX INCORPORATED AND SHOULD NOT BE USED WITHOUT WRITTEN PERMISSION | | | | |



注記 NOTES

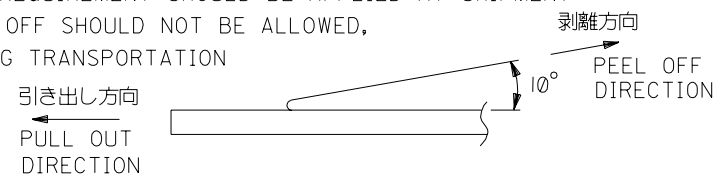
- 製品番号 52437-***26 の梱包状態はアクチュエータがロックした状態とする。
 詳細寸法については図面 SD-52437-017 を参照下さい。
 IN THE PACKAGE,ACTUATOR OF PART NO.52437-***26 SHOULD BE LOCKED RE DETAILED DIMENSIONS,SEE SD-52437-017.
- 梱包数量：1000個/リール
 NUMBER OF CONNECTORS:1000PCS/REEL
- リードテープ長さ LEAD TAPE LENGTH



5. 材料 (MATERIAL)
 キャリアテープ (CARRIER TAPE) : ポリプロピレン (POLYPROPYLENE)
 トップテープ (TOPTAPE) : PET, PE, PEF
 リール (REEL) : ポリスチレン (PS) <リサイクル材を含む>
 POLYSTYREN (PS) <RECYCLE MATERIAL CONTAINED>

6. 本製品は 52437-***91 の鉛フリー品である。
 THIS PRODUCT IS LEAD FREE OF 52437-***91.

4. トップテープの剥離強度：(剥離方向は下図参照)
 0.1N~1.3N {10gf~130gf}尚、本規格値は、出荷時に適用。
 (但し、輸送時に剥離が発生しない事。)
 PEELING OFF FORCE OF TOP TAPE
 0.1N ~1.3N(10gf ~130gf)(PEELING DIRECTION AS SHOWN IN FOLLOWING FIG.)
 THIS REQUIREMENT SHOULD BE APPLIED AT SHIPMENT
 PEEL OFF SHOULD NOT BE ALLOWED,
 DURING TRANSPORTATION

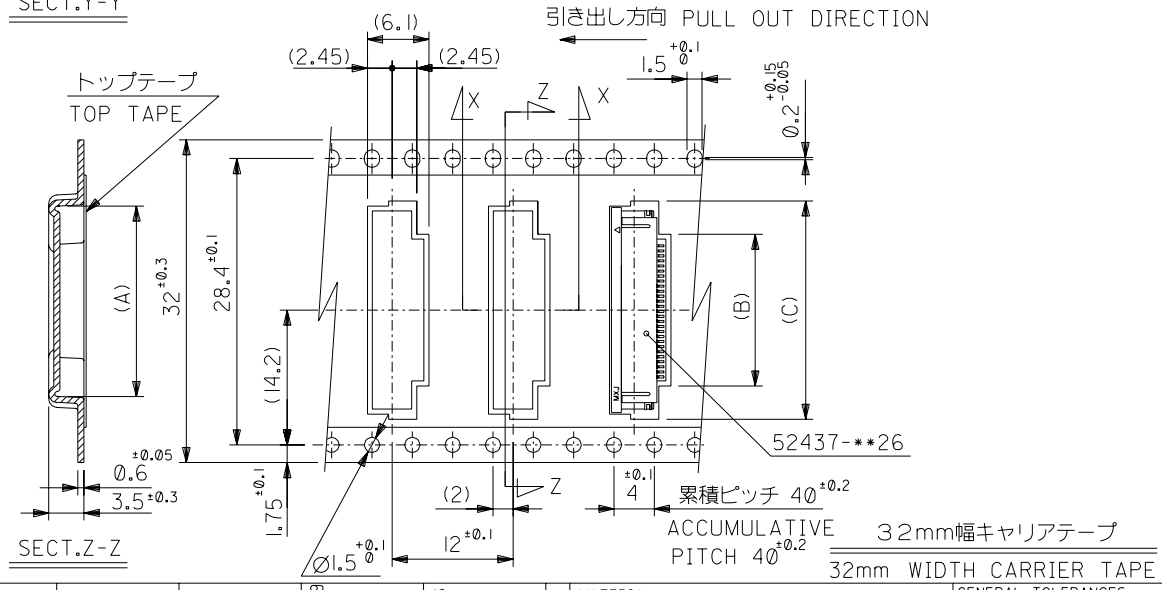
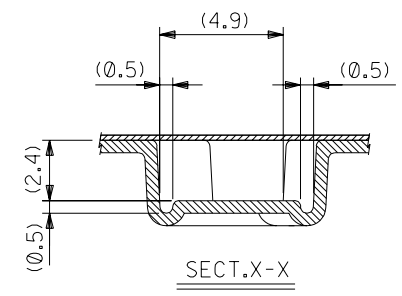
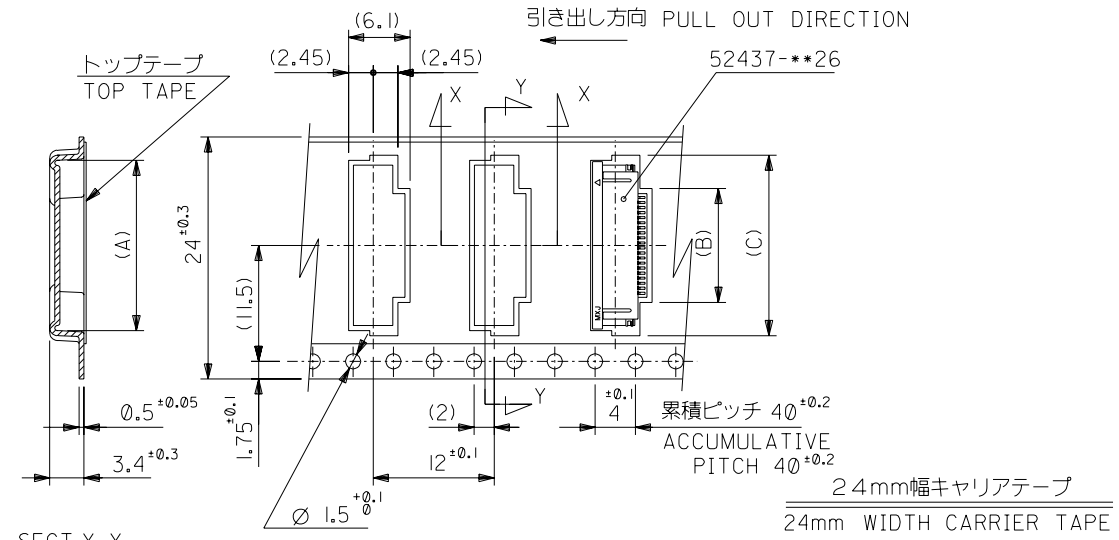


DO NOT SCALE DRAWING

| | | | | | | | | | | | | |
|----------------------------------|----------------------------------|----------------------------------|--|----------------|---|--------------|--|--|---|--|-------|-----------------------------|
| EC NO. DRWN: CHK: APPR: | EC NO. DRWN: CHK: APPR: | EC NO. DRWN: CHK: APPR: | REVISED '04/02/09 | MATERIAL 材料 | GENERAL TOLERANCES: (UNLESS SPECIFIED) 一般公差 | SCALE —// | DESIGN UNITS <input checked="" type="checkbox"/> mm <input type="checkbox"/> INCH | THIRD ANGLE PROJECTION | DIMENSIONS: | | SHT | REV |
| | | | EC NO. J2004-2350 DRWN: N.AIDA CHK: K.TOJO APPR: M.SASAO | | | | | | FINISH 仕上げ | <input type="checkbox"/> mm <input type="checkbox"/> INCH | | |
| A | Ø | Ø | RELEASED '04/01/08 | DESCRIPTION | WIRE RANGE 適用層線範囲 | ANGLE 角度 | DRAWN BY & DATE Y.SAKIYAMA '04/01/08 | CHECKED BY & DATE M.SASAO '04/01/08 | APPROVED BY & DATE M.SASAO '04/01/08 | TITLE: 0.5 FPC Conn Assy ZIF SMT RA With Tape Embstp Pkg -LEAD FREE- | | |
| | | | EC NO. J2004-1850 DRWN: Y.SAKIYAMA CHK: M.SASAO APPR: M.SASAO | | | | | | | INS. RANGE 被覆外径 | MOLEX | MATERIAL NO. 52437-***72 |

THIS DRAWING CONTAINS INFORMATION THAT IS PROPRIETARY TO MOLEX INCORPORATED AND SHOULD NOT BE USED WITHOUT WRITTEN PERMISSION.

DWG. NO. SD-52437-018



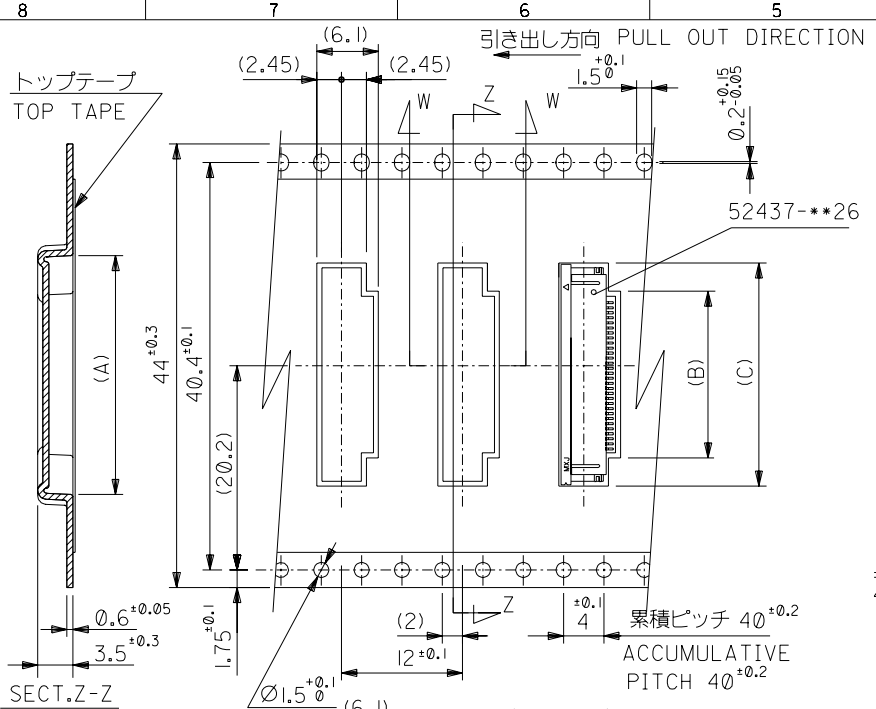
| | | | | | | | |
|--------------------------------|------|------|------------|------|------|--------------|---------------|
| 32 | 37.4 | 33.4 | 22.4 | 15.8 | 21.4 | 52437-2972 | 29 |
| | | | 21.9 | 15.3 | 20.9 | -2872 | 28 |
| | | | 21.4 | 14.8 | 20.4 | -2772 | 27 |
| | | | 20.9 | 14.3 | 19.9 | -2672 | 26 |
| | | | 20.4 | 13.8 | 19.4 | -2572 | 25 |
| | | | 19.9 | 13.3 | 18.9 | -2472 | 24 |
| | | | 19.4 | 12.8 | 18.4 | -2372 | 23 |
| | | | 18.9 | 12.3 | 17.9 | -2272 | 22 |
| | | | 17.9 | 11.3 | 16.9 | -2072 | 20 |
| | | | 17.4 | 10.8 | 16.4 | -1972 | 19 |
| 24 | 29.4 | 25.4 | 16.9 | 10.3 | 15.9 | -1872 | 18 |
| | | | 16.4 | 9.8 | 15.4 | -1772 | 17 |
| | | | 15.9 | 9.3 | 14.9 | -1672 | 16 |
| | | | 15.4 | 8.8 | 14.4 | -1572 | 15 |
| | | | 14.9 | 8.3 | 13.9 | -1472 | 14 |
| | | | 14.4 | 7.8 | 13.4 | -1372 | 13 |
| | | | 13.9 | 7.3 | 12.9 | -1272 | 12 |
| | | | 13.4 | 6.8 | 12.4 | -1172 | 11 |
| | | | 12.9 | 6.3 | 11.9 | -1072 | 10 |
| | | | 12.4 | 5.8 | 11.4 | -0972 | 9 |
| 11.9 | 5.3 | 10.9 | -0872 | 8 | | | |
| 11.4 | 4.8 | 10.4 | -0772 | 7 | | | |
| 10.9 | 4.3 | 9.9 | 52437-0672 | 6 | | | |
| キャリアテープ幅 CARRIER TAPE WIDTH | E | D | (C) | (B) | (A) | MATERIAL NO. | 極数 CIRCUIT |

DO NOT SCALE DRAWING

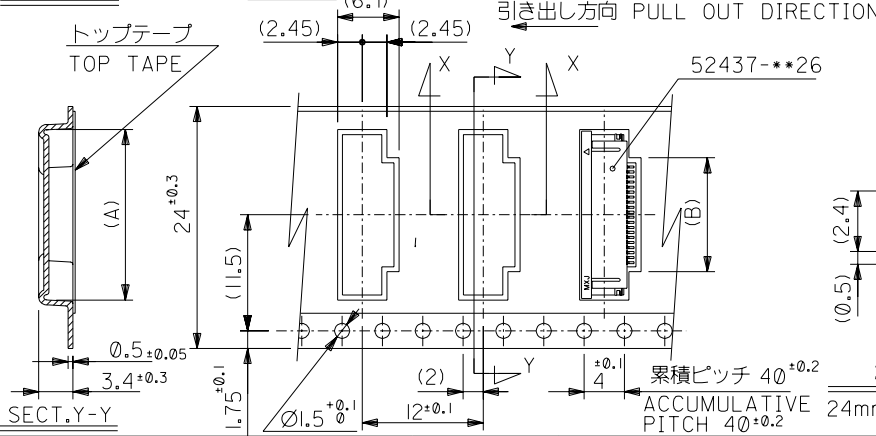
| | | | | | | | | | | | | | | | | |
|--|----------------------------------|----------------------------------|--|--|------------------|-----|--|---------------------|----------------------------|--------------------------|---|-------------|--|---|--|---------------------|
| EC NO. DRWN: CHK: APPR: | EC NO. DRWN: CHK: APPR: | EC NO. DRWN: CHK: APPR: | REVISED '04/02/09 EC NO. J2004-2350 DRWN: N.AIDA CHK: K.TOJO APPR: M.SASAO | RELEASED '04/01/08 EC NO. J2004-1850 DRWN: Y.SAKIYAMA CHK: M.SASAO APPR: M.SASAO | DESCRIPTION A | REV | MATERIAL 材料 SHEET 1 OF 3 参照 REFER TO SHEET 1 OF 3 | FINISH 仕上げ // | WIRE RANGE 適用線径範囲 // | INS. RANGE 被覆外径 // | GENERAL TOLERANCES: (UNLESS SPECIFIED) 一般公差 | SCALE // | DESIGN UNITS <input checked="" type="checkbox"/> mm <input type="checkbox"/> INCH | THIRD ANGLE PROJECTION <input checked="" type="checkbox"/> <input type="checkbox"/> | DIMENSIONS: <input type="checkbox"/> mm <input type="checkbox"/> INCH <input checked="" type="checkbox"/> mm ONLY | SHT REV |
| EC NO. DRWN: CHK: APPR: | EC NO. DRWN: CHK: APPR: | EC NO. DRWN: CHK: APPR: | | | | | | | | | 10 UNDER 未滿 | ±0.2 | DRAWN BY & DATE Y.SAKIYAMA '04/01/08 | TITLE: 0.5 FPC Conn Assy ZIF SMT RA With Tape Embstp Pkg -LEAD FREE- | | |
| | | | | | | | | | | | 10 OVER 30 UNDER 未滿 | ±0.25 | CHECKED BY & DATE M.SASAO '04/01/08 | | | |
| | | | | | | | | | | | 30 OVER 以上 | ±0.3 | APPROVED BY & DATE M.SASAO '04/01/08 | | | |
| | | | | | | | | | | | ANGLE 角度 | ±3° | CAD FILENAME SD-52437-018.S02 | MATERIAL NO. 52437-***72 | DRAWING NO. SD-52437-018 | SHEET NO. 2 OF 3 |
| THIS DRAWING CONTAINS INFORMATION THAT IS PROPRIETARY TO MOLEX INCORPORATED AND SHOULD NOT BE USED WITHOUT WRITTEN PERMISSION. | | | | | | | | | | | | | | SIZE B | | |

DO NOT SCALE DRAWING

DWG. NO.
SD-52437-018



| | | | | | | | |
|--------------------------------|------|------|------|------|------|--------------|---------------|
| 44 | 49.4 | 45.4 | 22.9 | 16.3 | 21.9 | 52437-3072 | 30 |
| キャリアテープ幅 CARRIER TAPE WIDTH | E | D | (C) | (B) | (A) | MATERIAL NO. | 極数 CIRCUIT |



| | | | | | | |
|--------------------------------|------|------|------|------|--------------|---------------|
| 24 | 29.4 | 25.4 | 11.8 | 17.4 | 52437-2172 | 21 |
| キャリアテープ幅 CARRIER TAPE WIDTH | E | D | (B) | (A) | MATERIAL NO. | 極数 CIRCUIT |

| | | | | |
|----------------------------------|----------------------------------|----------------------------------|--|--|
| EC NO. DRWN: CHK: APPR: | EC NO. DRWN: CHK: APPR: | EC NO. DRWN: CHK: APPR: | REVISED '04/02/09 EC NO. J2004-2350 DRWN: N.AIDA CHK: K.TOJO APPR: M.SASAO | RELEASED '04/01/08 EC NO. J2004-1850 DRWN: Y.SAKIYAMA CHK: M.SASAO APPR: M.SASAO |
| A | | | | |

| | | |
|----------------------|--|--|
| MATERIAL 材料 | SHEET 1 OF 3 参照 REFER TO SHEET 1 OF 3 | |
| FINISH 仕上げ | // | |
| WIRE RANGE 適用線径範囲 | // | |
| INS. RANGE 被覆外径 | // | |

| | | | |
|---|---|---|---|
| GENERAL TOLERANCES: (UNLESS SPECIFIED) 一般公差 | SCALE 1/1 | DESIGN UNITS <input checked="" type="checkbox"/> mm <input type="checkbox"/> INCH | |
| 10 UNDER 未満 | DRAWN BY & DATE Y.SAKIYAMA '04/01/08 | THIRD ANGLE PROJECTION <input checked="" type="checkbox"/> mm <input type="checkbox"/> INCH | |
| 10 OVER 30 UNDER 以上 未満 | | | CHECKED BY & DATE M.SASAO '04/01/08 |
| 30 OVER 以上 | | | APPROVED BY & DATE M.SASAO '04/01/08 |
| ANGLE 角度 | 3° | | |

| | | |
|--|--|-----------------------------|
| DIMENSIONS: (UNLESS SPECIFIED) 一般公差 | | SHT REV |
| TITLE: 0.5 FPC Conn Assy ZIF SMT RA With Tape Embstp Pkg -LEAD FREE- | | REVISE ON CAD ONLY |
| MATERIAL NO. 52437-***72 | | DRAWING NO. SD-52437-018 |
| DRAWING NO. SD-52437-018 | | SHEET NO. 3 OF 3 |
| THIS DRAWING CONTAINS INFORMATION THAT IS PROPRIETARY TO MOLEX INCORPORATED AND SHOULD NOT BE USED WITHOUT WRITTEN PERMISSION. | | SIZE B |