



Chipsmall Limited consists of a professional team with an average of over 10 year of expertise in the distribution of electronic components. Based in Hongkong, we have already established firm and mutual-benefit business relationships with customers from,Europe,America and south Asia,supplying obsolete and hard-to-find components to meet their specific needs.

With the principle of "Quality Parts,Customers Priority,Honest Operation,and Considerate Service",our business mainly focus on the distribution of electronic components. Line cards we deal with include Microchip,ALPS,ROHM,Xilinx,Pulse,ON,Everlight and Freescale. Main products comprise IC,Modules,Potentiometer,IC Socket,Relay,Connector.Our parts cover such applications as commercial,industrial, and automotives areas.

We are looking forward to setting up business relationship with you and hope to provide you with the best service and solution. Let us make a better world for our industry!



Contact us

Tel: +86-755-8981 8866 Fax: +86-755-8427 6832

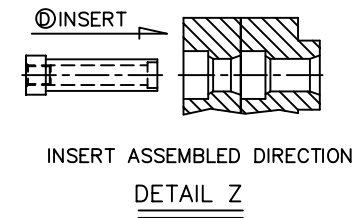
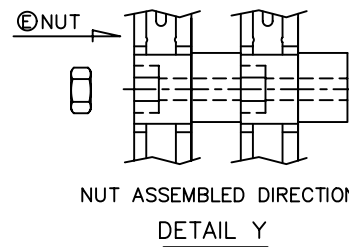
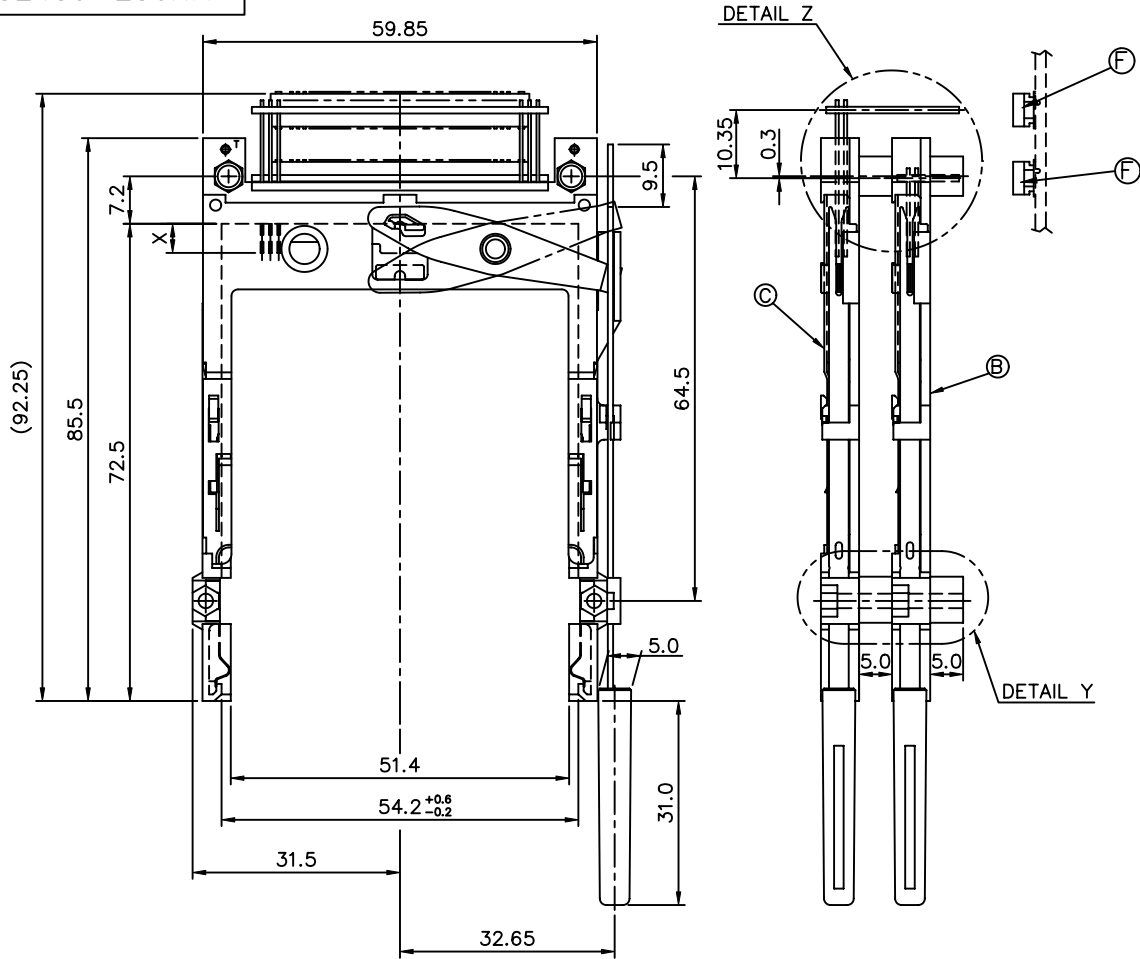
Email & Skype: info@chipsmall.com Web: www.chipsmall.com

Address: A1208, Overseas Decoration Building, #122 Zhenhua RD., Futian, Shenzhen, China



PRODUCT NO.

52439-250HA

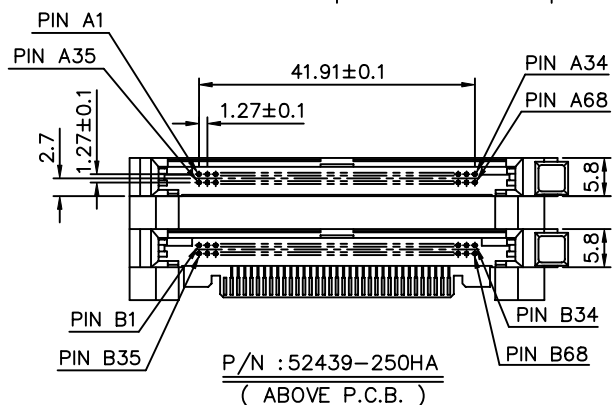


NOTE:

1. ORDERING 52439-250HA, BILL OF MATERIAL

DOUBLE DECK BY CUSTOMER		
NAME	PART NO.	Q'TY
(B) DECK CLOSEST TO PCB	52351-050HA	1
(C) DECK FARTHEST FROM PCB	52438-050HA	1
(D) M2 INSERT	61553-0150	2
(E) M2 NUT	92869-002	2
(F) MATING RECEPTACLE	91931-31169	2

2. IF USING SINGLE DECK ONLY, SEE 52351-050HA DRAWING FOR BILL OF MATERIAL



mat'l code		tolerance unless otherwise specified		CUSTOMER COPY							
rev.	ecn no.	dr	date	linear	± 0.30	projection	title				
A	T90346	WL	10/04/99								
B	T20085	WL	03/18/02	angles	± 2°		EJECTOR HEADER ASS'Y 68POS. FOR TYP 1/2/3				
				dr	WENDY CHEN			08/30/99	unit	mm/inch	product family : PCMCIA
				enr	STELAR CHU	08/30/99	size	dwg no.		TWN	
				chr	JOSEPH HSIA	08/30/99	scale	52439	1 OF 2		
				appd	LELAND WANG	08/30/99	1.2:1				
sheet	revision	B	A								
index	sheet	1	2								

