



Chipsmall Limited consists of a professional team with an average of over 10 year of expertise in the distribution of electronic components. Based in Hongkong, we have already established firm and mutual-benefit business relationships with customers from,Europe,America and south Asia,supplying obsolete and hard-to-find components to meet their specific needs.

With the principle of “Quality Parts,Customers Priority,Honest Operation,and Considerate Service”,our business mainly focus on the distribution of electronic components. Line cards we deal with include Microchip,ALPS,ROHM,Xilinx,Pulse,ON,Everlight and Freescale. Main products comprise IC,Modules,Potentiometer,IC Socket,Relay,Connector.Our parts cover such applications as commercial,industrial, and automotives areas.

We are looking forward to setting up business relationship with you and hope to provide you with the best service and solution. Let us make a better world for our industry!



## Contact us

Tel: +86-755-8981 8866 Fax: +86-755-8427 6832

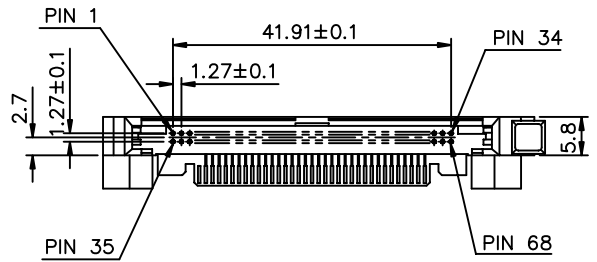
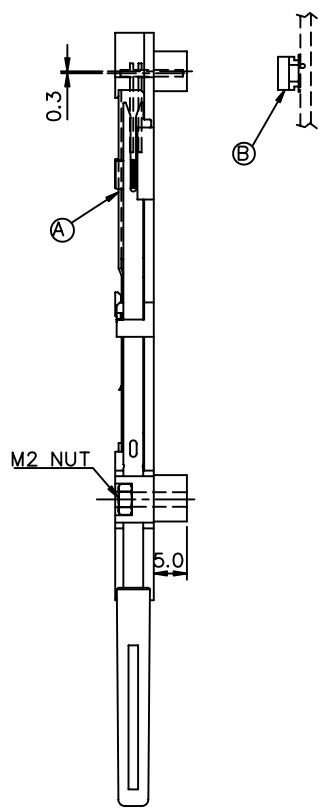
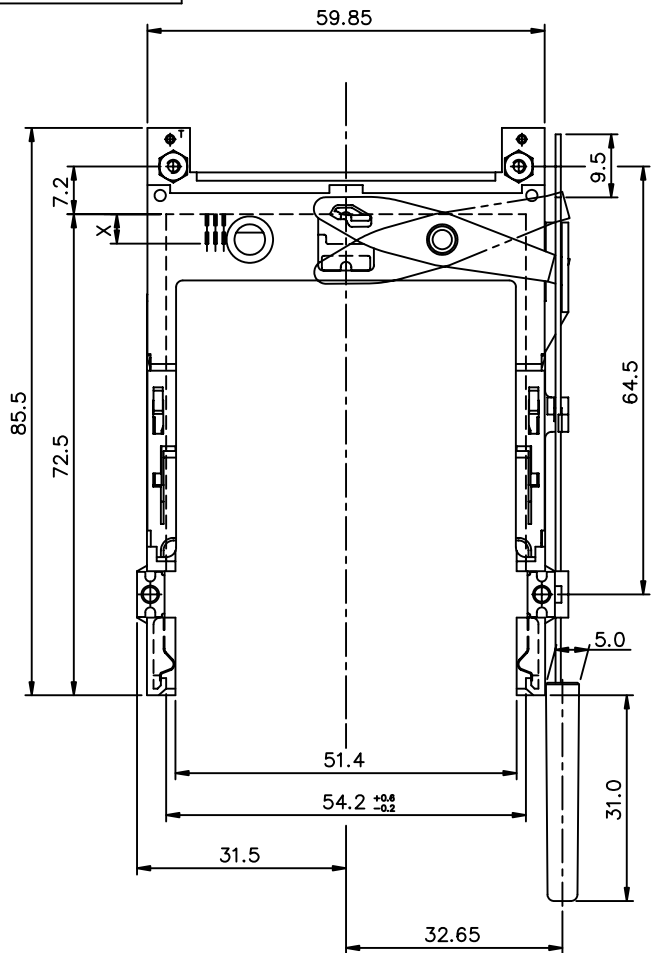
Email & Skype: info@chipsmall.com Web: www.chipsmall.com

Address: A1208, Overseas Decoration Building, #122 Zhenhua RD., Futian, Shenzhen, China



PRODUCT NO.

52486-050HA/050HALF



P/N : 52486-050HA/050HALF  
ABOVE BOARD

NOTES:

1. 8mm MIN. CARD EJECT.
2. EJECT TRAVEL: 9.5mm
3. MATERIAL
  - 3.1 HEADER ASS'Y
    - PLASTIC : HOUSING ...LCP UL94V-0 BLACK
    - PIN : COPPER ALLOY
    - PCB : FR4
  - 3.2 EJECT MECHANISM ASS'Y
    - PLASTIC : GUIDE: POLYPHTHAMID UL94V-0 BLACK
    - : BUTTON: POLYPHTHAMID UL94V-0 BLACK
    - PLATE : STAINLESS
    - EMI CONTACT: PHOSPHOR BRONZE
  - 3.3 RECEPTACLE
    - PLASTIC : LCP 94V-0, NATURAL.
    - PIN: BeCu
4. FINISH (PIN)
  - UNDER PLATING : 0.5 um MIN. Ni
  - CONTACT AREA : 0.1 um MIN. GOLD OVER
  - 0.5 um MIN. Pd-Ni
  - SOLDER TAIL : 2.5 um MIN. Sn-Pb
  - : 2.5 um MIN. PURE Sn (FOR -050HALF)
5. PUSH ROD LOCATION AND P.C.B. SIDE ARE AS APPEARS INSTALLED.
6. DIM "X"

4.25±0.1	3.5±0.1	5.0±0.1
OTHERS	36,67	1,17,34,35,51,68

7. P.C.B LAYOUT REFERED TO TA-1052.
8. IF LEAD FREE P/N. THE HOUSING WILL WITHSTAND EXPOSURE TO 260°C PEAK TEMPERATURE FOR 10 SECONDS IN A WAVE SOLDER APPLICATION WITH A 1.00MM MINIMUM THICK CIRCUIT BOARD.
9. LEAD FREE PRODUCT MEETS EUROPEAN UNION DIRECTIVES AND OTHER COUNTRY REGULATIONS AS DESCRIBED IN GS-22-008
10. IF LEAD FREE P/N. PACKAGING MEETS GS-14-920 SPECIFICATION

ORDERING INFORMATION

NAME	PART NO.	Q'TY
Ⓐ EJECT HEADER ASS'Y	52486-050HA/050HALF	1
Ⓑ MATING RECEPTACLE	91931-31169/31169LF	1

mat'l code		tolerance unless otherwise specified		CUSTOMER COPY				
rev.	ecn no.	dr	date	linear	± 0.30	projection	title	
A	T90421	M	W12/17/99			⊕	EJECTOR HEADER ASS'Y	
B	T20085	WL	03/18/02				68POS. FOR TYP 1/2/3	
C	N05-0128	WB	05/20/05	angles	± 2°			
		dr	WENDY CHEN	08/30/99	unit		product family : PCMCIA	
		enr	STELAR CHU	08/30/99	mm/inch		code	
		chr	JOSEPH HSIA	08/30/99	scale		TWN	
		appd	LELAND WANG	08/30/99	1.2:1	A3	sheet	
sheet	revision							1 OF 1
index	sheet							