



Chipsmall Limited consists of a professional team with an average of over 10 year of expertise in the distribution of electronic components. Based in Hongkong, we have already established firm and mutual-benefit business relationships with customers from,Europe,America and south Asia,supplying obsolete and hard-to-find components to meet their specific needs.

With the principle of “Quality Parts,Customers Priority,Honest Operation,and Considerate Service”,our business mainly focus on the distribution of electronic components. Line cards we deal with include Microchip,ALPS,ROHM,Xilinx,Pulse,ON,Everlight and Freescale. Main products comprise IC,Modules,Potentiometer,IC Socket,Relay,Connector.Our parts cover such applications as commercial,industrial, and automotives areas.

We are looking forward to setting up business relationship with you and hope to provide you with the best service and solution. Let us make a better world for our industry!



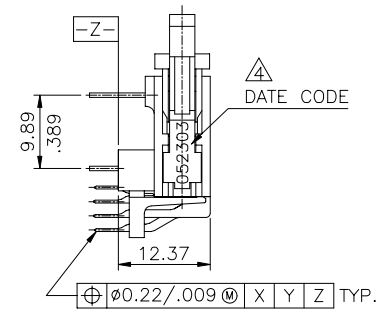
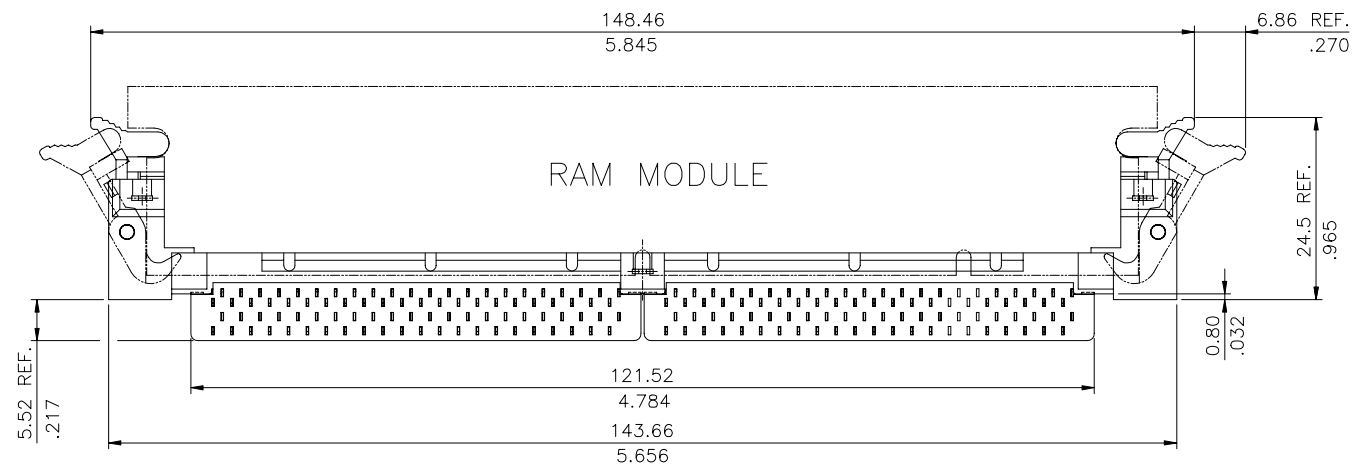
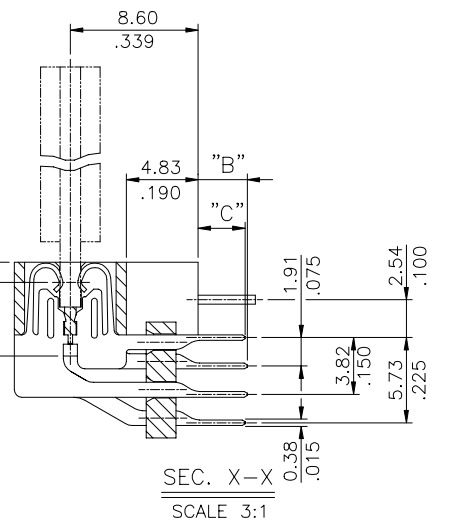
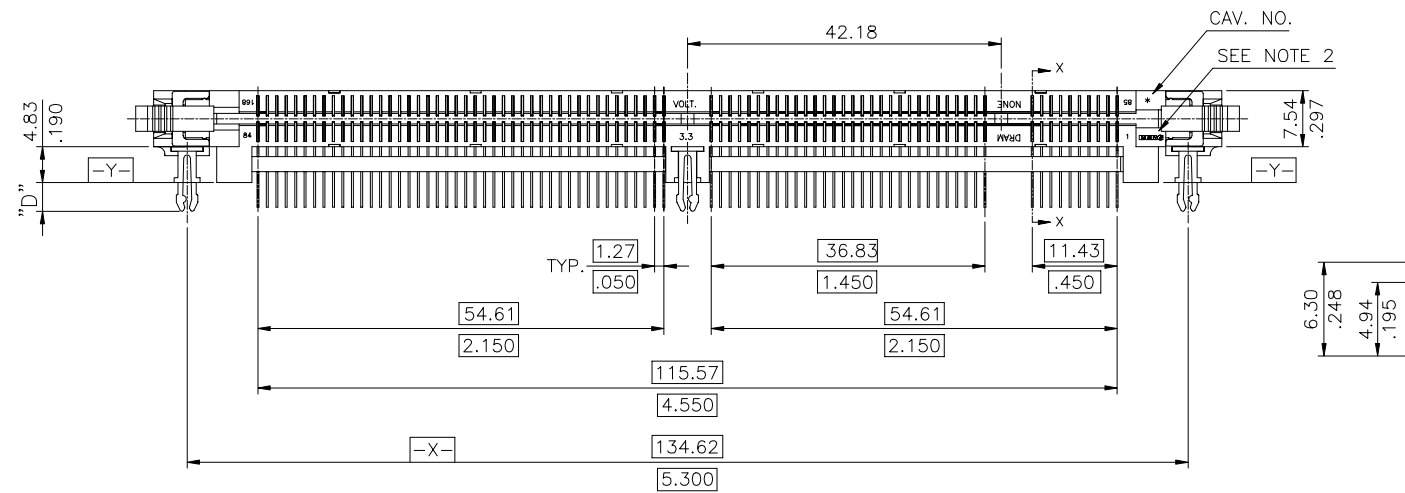
Contact us

Tel: +86-755-8981 8866 Fax: +86-755-8427 6832

Email & Skype: info@chipsmall.com Web: www.chipsmall.com

Address: A1208, Overseas Decoration Building, #122 Zhenhua RD., Futian, Shenzhen, China



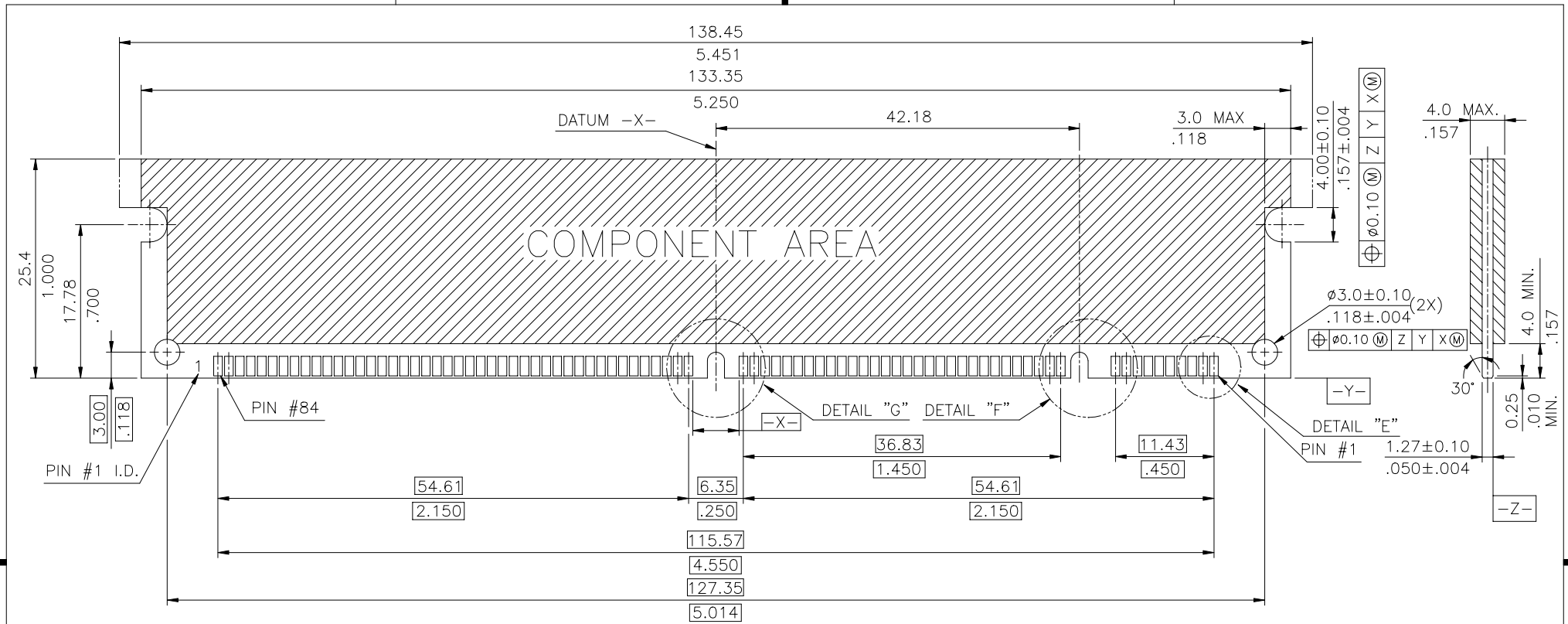


- NOTE:
- MATERIAL:
HOUSING: LIQUID CRYSTAL POLYMER OR OTHER HIGH PERFORMANCE RESINS, GLASS FILLED UL94V-0 RATED, COLOR BLACK.
EJECTOR: LIQUID CRYSTAL POLYMER OR OTHER HIGH PERFORMANCE RESINS, GLASS FILLED UL94V-0 RATED, COLOR NATURAL.
TAIL GUIDE: LIQUID CRYSTAL POLYMER OR OTHER HIGH PERFORMANCE RESINS, GLASS FILLED UL94V-0 RATED, COLOR BLACK.
TERMINAL: PHOSPHOR BRONZE.
METAL CLIP: PHOSPHOR BRONZE.
 - BERG LOGO TO BE APPROXIMATELY LOCATED AS SHOWN ON PRINT.
 - PRODUCT SPECIFICATION: GS-12-066.
THE DATE CODE IS SHOWN "MM-DD-YY".

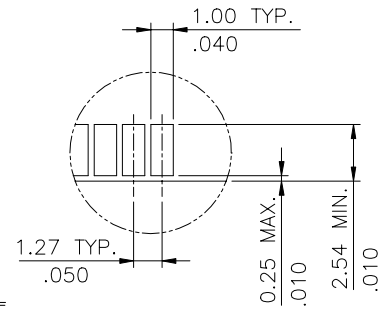
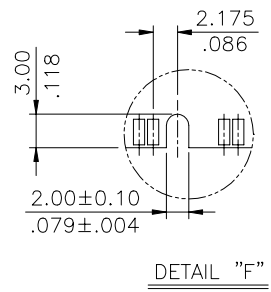
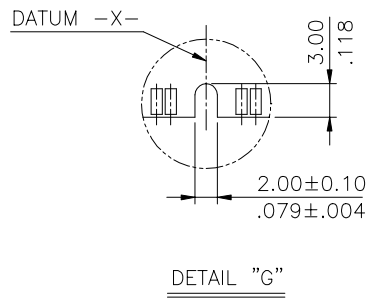
mat'l. code				tolerances unless otherwise specified			CUSTOMER COPY		FCI		www.fciconnect.com	
A	T00053	M W	03/08/00	linear	.X ±0.38/.015		projection	title				
B	T03-0194	M W	05/23/03		.XX ±0.25/.010			DIMM, .050" 1-ROW, 168P R/A ASS'Y METAL CLIP				
C	T04-0078	M W	02/23/04	angles	0° ±2°		MM	product family		DIMM		
D	T04-0119	M W	03/11/04	dr	MAGGIE WU	03/08/00		size		dwg no		
E	T04-0145	M W	04/08/04	enrg	GARY TANG	03/08/00	scale	A4		52490		
				chr	GARY TANG	03/08/00		sheet		1 of 4		
				appd	JENN TSAO	03/08/00	1:1					
sheet index	revision sheet	E	B	B	E							
		1	2	3	4							

Tous droits strictement réservés. Reproduction ou communication a des tiers interdite sous quelque forme que ce soit sans autorisation écrite du propriétaire. Propriete de c FCI. Droits de reproduction FCI.

All rights strictly reserved. Reproduction or issue to third parties in any form whatever is not permitted without written authority from the proprietor. Property of FCI. Copyright FCI.



RECOMMENDED MODULE LAYOUT



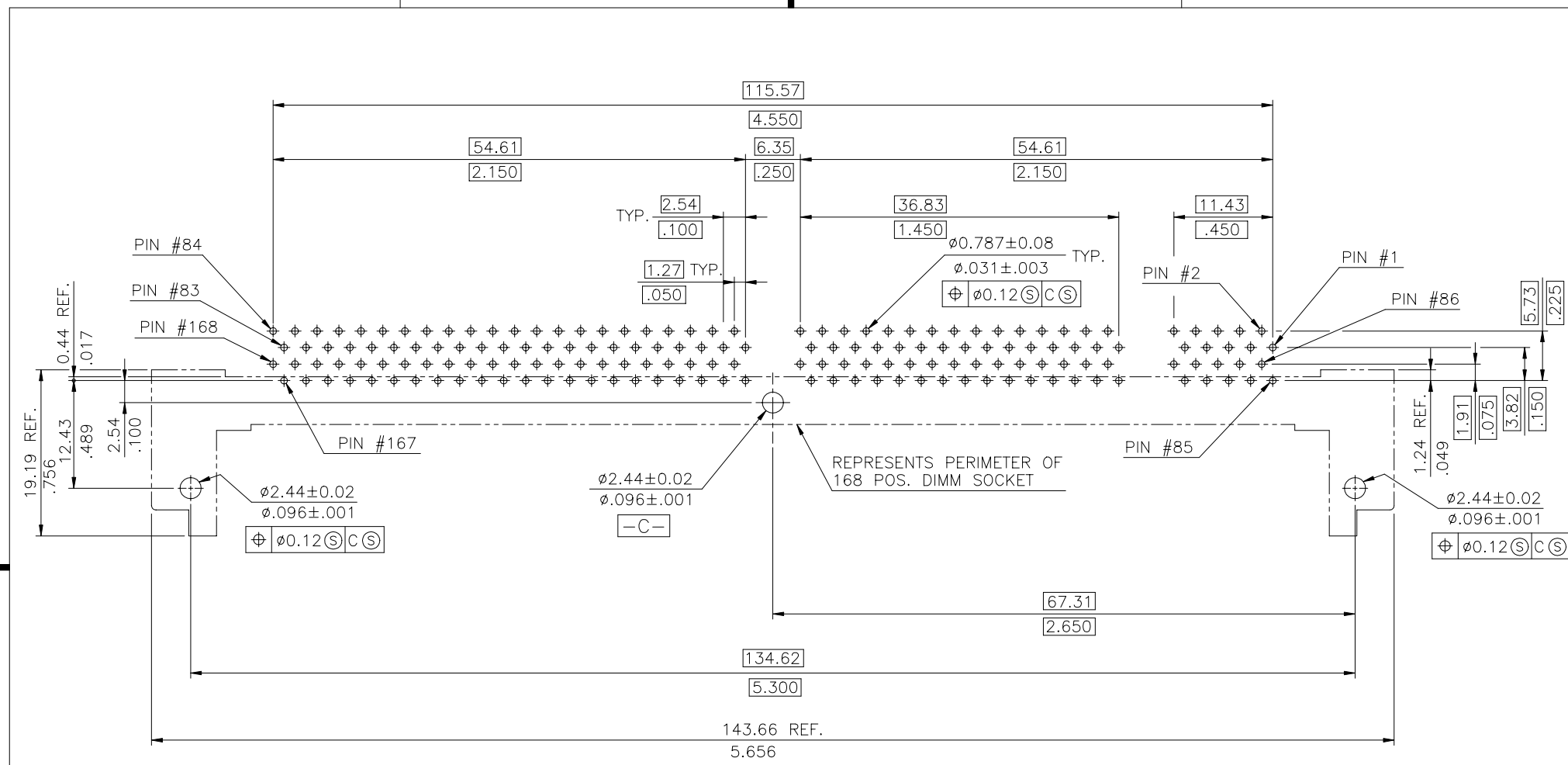
CONFIDENTIAL

mat'l. code				tolerances unless otherwise specified		CUSTOMER COPY		 www.fciconnect.com			
ltr	ecn no	dr	date	linear	.X ±0.38/.015	projection		title			
B					.XX ±0.25/.010			DIMM .050" 1-ROW, 168P		R/A ASS'Y METAL CLIP	
					.XXX ±0.13/.005			product family DIMM		code -	
				angles	0° ±2°	 MM	 1.5:1	size			
				dr	MAGGIE WU 03/08/00			dwg no		sheet	
				enr	GARY TANG 03/08/00			52490		2 of	
				chr	GARY TANG 03/08/00						
				appd	JENN TSAO 03/08/00						
sheet index	revision sheet										

FCI


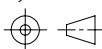
Tous droits strictement réservés. Reproduction ou communication a des tiers interdite sous quelque forme que ce soit sans autorisation écrite du propriétaire. Propriété de c FCI. Droits de reproduction FCI.

All rights strictly reserved. Reproduction or issue to third parties in any form whatever is not permitted without written authority from the proprietor. Property of FCI. Copyright FCI.



RECOMMENDED CIRCUIT BOARD HOLE LAYOUT

CONFIDENTIAL

mat'l. code				tolerances unless otherwise specified		CUSTOMER COPY		 www.fciconnect.com	
ltr	ecn no	dr	date	linear	.X ±0.38/.015	projection	title		
B					.XX ±0.25/.010		DIMM, .050" 1-ROW, 168P R/A ASS'Y METAL CLIP	product family DIMM	
				angles	.XXX ±0.13/.005	← MM →	size	dwg no	code
				dr	MAGGIE WU 03/08/00	scale	A4	52490	—
				enr	GARY TANG 03/08/00	1.5:1			sheet
				chr	GARY TANG 03/08/00				3 of
				appd	JENN TSAO 03/08/00				
sheet index	revision sheet								

Tous droits strictement reserves. Reproduction ou communication a des tiers interdite sous quelque forme que ce soit sans autorisation écrite du propriétaire. Propriete de c FCI. Droits de reproduction FCI.



All rights strictly reserved. Reproduction or issue to third parties in any form whatever is not permitted without written authority from the proprietor. Property of FCI. Copyright FCI.

52490 - □ □ □ □ □

STYLE

6 : FOR UNBUFFERED DRAM, SYNC DRAM, REGISTERED SDRAM, 3.3 VOLT.

PEG TYPE

1 : WITH METAL CLIP + DIM."D" = 3.85 ± 0.25

TAIL LENGTH

CODE	DIM. "B" ± 0.25	DIM. "C" ± 0.25
1	3.30	3.15

PLATING

CODE	CONTACT	SOLDERTAIL	UNDERPLATE
2	15μ"(0.38μm) MIN. GOLD	100μ"(2.54μm) MIN. TIN/LEAD	50μ" (1.27μm) MIN. NICKEL OVERALL
2F	15μ"(0.38μm) MIN. GOLD	100μ"(2.54μm) MIN. 100% TIN	

COLOR OF HOUSING AND EJECTOR

0 : BLACK HOUSING + IVORY EJECTOR + BLACK TAIL GUIDE

PROD. NO.	DIM."B"	DIM."C"	DIM."D"	HSG COLOR	EJECTOR COLOR	TAIL GUIDE COLOR	STYLE
52490-61102	3.30	3.15	3.85	BLACK	IVORY	BLACK	FOR UNBUFFERED DRAM, SYNC DRAM, REGISTERED SDRAM, 3.3 VOLT.

CONFIDENTIAL

mat'l. code				tolerances unless otherwise specified		CUSTOMER COPY		 www.fciconnect.com	
ltr	ecn no	dr	date	linear	.X ±0.38/.015		projection	title	
E					.XX ±0.25/.010			DIMM, .050" 1-ROW, 168P R/A ASS'Y METAL CLIP	
				angles	.XXX ±0.13/.005		 MM	product family DIMM	
				dr	MAGGIE WU	03/08/00		size dwg no	
				enr	GARY TANG	03/08/00	scale		
				chr	GARY TANG	03/08/00	1:1		
				appd	JENN TSAO	03/08/00	A4		
sheet index		revision sheet						code	
								52490	
								sheet 4 of	