



Chipsmall Limited consists of a professional team with an average of over 10 year of expertise in the distribution of electronic components. Based in Hongkong, we have already established firm and mutual-benefit business relationships with customers from,Europe,America and south Asia,supplying obsolete and hard-to-find components to meet their specific needs.

With the principle of “Quality Parts,Customers Priority,Honest Operation,and Considerate Service”,our business mainly focus on the distribution of electronic components. Line cards we deal with include Microchip,ALPS,ROHM,Xilinx,Pulse,ON,Everlight and Freescale. Main products comprise IC,Modules,Potentiometer,IC Socket,Relay,Connector.Our parts cover such applications as commercial,industrial, and automotives areas.

We are looking forward to setting up business relationship with you and hope to provide you with the best service and solution. Let us make a better world for our industry!



Contact us

Tel: +86-755-8981 8866 Fax: +86-755-8427 6832

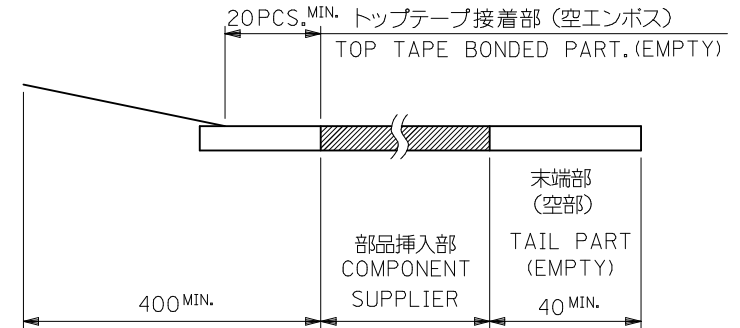
Email & Skype: info@chipsmall.com Web: www.chipsmall.com

Address: A1208, Overseas Decoration Building, #122 Zhenhua RD., Futian, Shenzhen, China



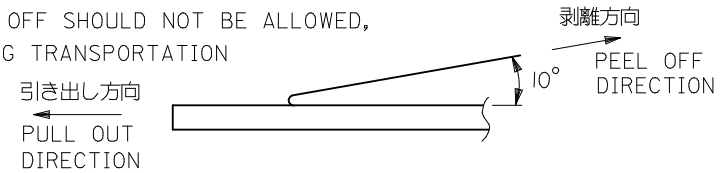
注記 NOTES

- 製品番号 52559-**17 の梱包状態はアクチュエータがロックした状態とする。
詳細寸法については図面 SD-52559-044 を参照下さい。
IN THE PACKAGE,ACTUATOR OF PART NO.52559-**17 SHOULD BE LOCKED RE DETAILED DIMENSIONS,SEE SD-52559-044
- 梱包数量：1000個/リール
NUMBER OF CONNECTORS:1000PCS/REEL
- リードテープ長さ LEAD TAPE LENGTH

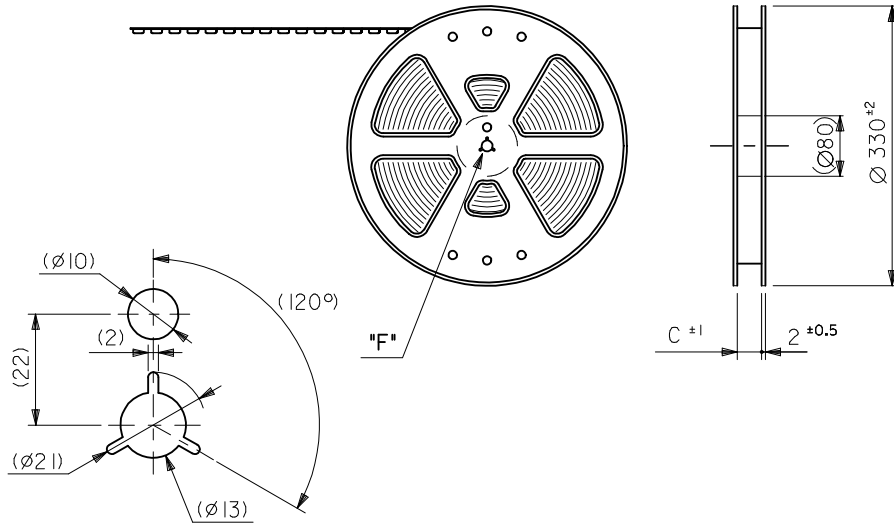


- トップテープの剥離強度：(剥離方向は下図参照)
0.1N~0.7N(10.2gf~71.4gf)尚、本規格値は、出荷時に適用。
(但し、輸送時に剥離が発生しない事。)

PEELING OFF FORCE OF TOP TAPE
0.1N~0.7N(10.2gf~71.4gf)(PEELING DIRECTION AS SHOWN IN FOLLOWING FIG.)
THIS REQUIREMENT SHOULD BE APPLIED AT SHIPMENT
PEEL OFF SHOULD NOT BE ALLOWED,
DURING TRANSPORTATION



引き出し方向
PULL OUT
DIRECTION



DETAIL "F"

- 材料
キャリアテープ：ポリプロピレン (PP)
トップテープ：PET, PE, PEF
リール：ポリスチレン (PS) <リサイクル材を含む>

MATERIAL CARRIER TAPE:POLYPROPYLENE
TOP TAPE:PET,PE,PEF
REEL:POLYSTYREN(PS)
<RECYCLE MATERIAL CONTAINED>

REVISED EC NO: J2016-0380 DRAWN:SANUMA 2015/10/15 CHKD:KAKAHASHI 2015/10/16 APPR:YNOGAWA 2015/11/09	GENERAL TOLERANCES (UNLESS SPECIFIED)		DIMENSION STYLE MM ONLY		SCALE ---	DESIGN UNITS METRIC	THIRD ANGLE PROJECTION
	0.25 UNDER	UNDER	±0.03	DRAWN BY M.SHIMIZU	DATE 2000/12/20	TITLE 0.5 FPC CONN ASSY ZIF SMT ST EMBSTP PKG	
	0.25 OVER	0.5 UNDER	±0.05	CHECKED BY	DATE	DOCUMENT NO. SD-52559-054	
	0.5 OVER	1.0 UNDER	±0.1	APPROVED BY M.FUKUSHIMA	DATE 2000/12/20		
1.0 OVER	10 UNDER	±0.2	MATERIAL NO. SEE SHEET 2,3		THIS DRAWING CONTAINS INFORMATION THAT IS PROPRIETARY TO MOLEX INCORPORATED AND SHOULD NOT BE USED WITHOUT WRITTEN PERMISSION		
10 OVER	30 UNDER	±0.25	SIZE A3				
30 OVER		±0.3	DRAFT WHERE APPLICABLE MUST REMAIN WITHIN DIMENSIONS				
ANGULAR	±3 °						

F

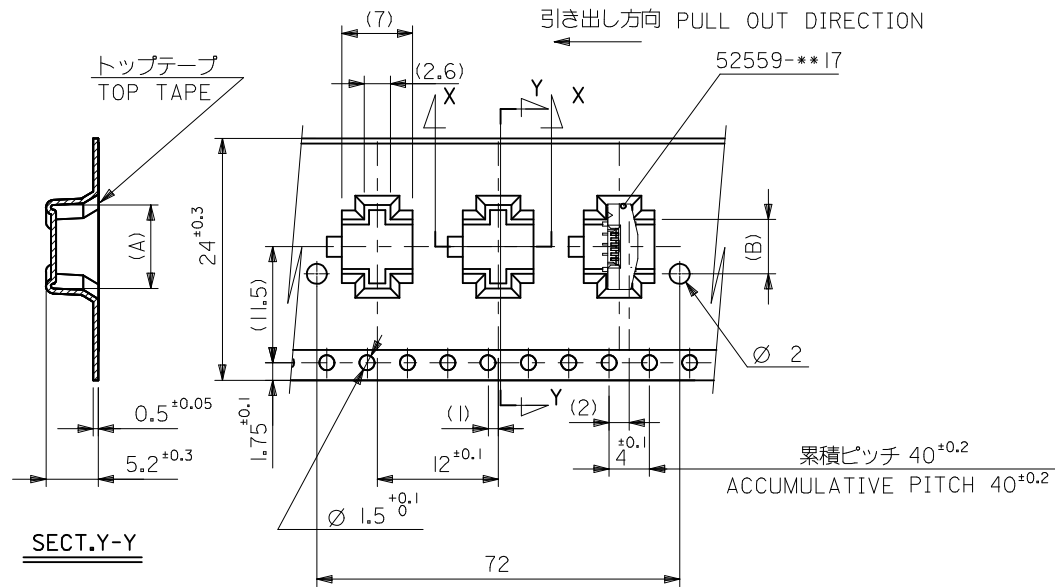
E

D

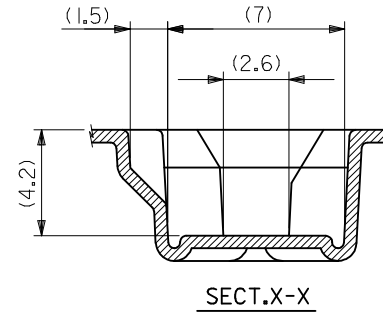
C

B

A

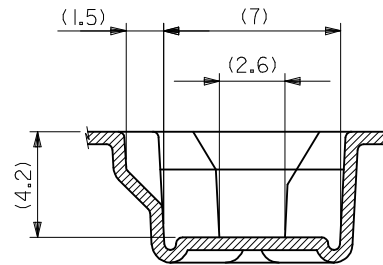
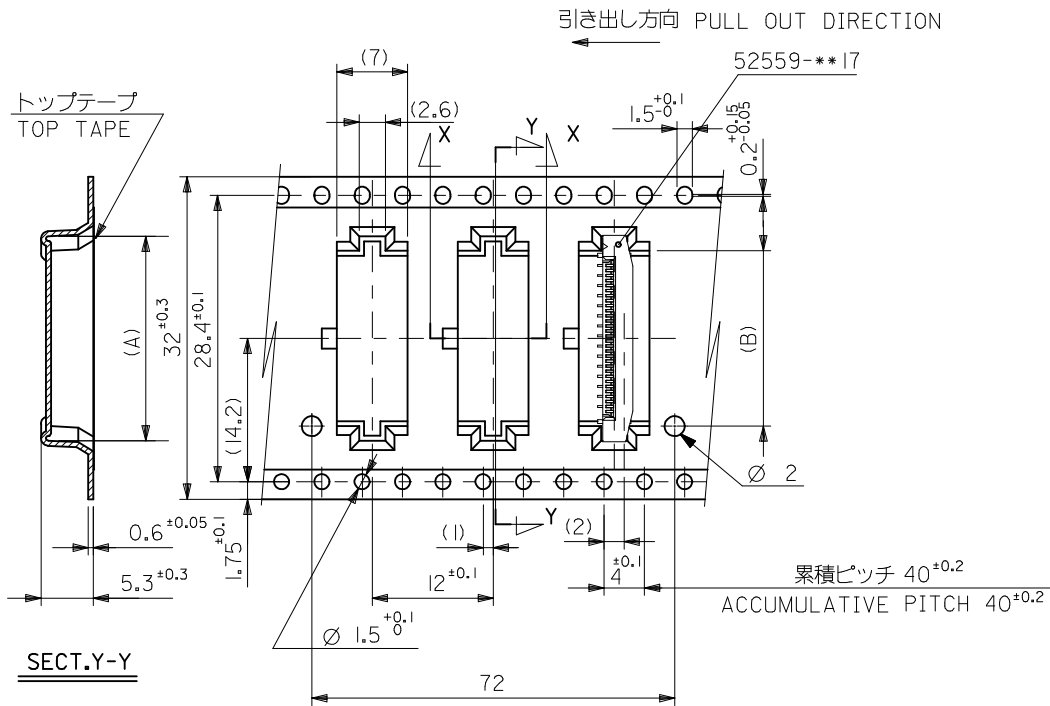


24mm幅キャリアテープ
24mm WIDTH CARRIER TAPE



24	25.5	5.4	8.3	52559-0692	6
キャリアテープ幅 CARRIER TAPE WIDTH	C	(B)	(A)	ENG. NO.	極数 CIRCUIT

REVISED EC NO: J2016-0380 DRWN: SANUMA 2015/10/15 CHKD: TAKAHASHI 2015/10/16 APPR: YNOGAWA 2015/11/09	GENERAL TOLERANCES (UNLESS SPECIFIED)		DIMENSION STYLE MM ONLY		SCALE ---		DESIGN UNITS METRIC		THIRD ANGLE PROJECTION		
	0.25 UNDER	UNDER	±0.03	DRAWN BY	DATE	TITLE					
	0.25 OVER	0.5 UNDER	±0.05	M. SHIMIZU	2000/12/20	0.5 FPC CONN ASSY ZIF SMT ST EMBSTP PKG					
	0.5 OVER	1.0 UNDER	±0.1	CHECKED BY	DATE						
	1.0 OVER	10 UNDER	±0.2	S. KUNISHI	2000/12/20	molex DOCUMENT NO. SD-52559-054 SHEET NO. 2 OF 3					
	10 OVER	30 UNDER	±0.25	APPROVED BY	DATE						
	30 OVER		±0.3	M. FUKUSHIMA	2000/12/20	SEE CHART THIS DRAWING CONTAINS INFORMATION THAT IS PROPRIETARY TO MOLEX INCORPORATED AND SHOULD NOT BE USED WITHOUT WRITTEN PERMISSION					
	ANGULAR	±3 °		MATERIAL NO.							
	DRAFT WHERE APPLICABLE MUST REMAIN WITHIN DIMENSIONS			SIZE							
				A3							



SECT.X-X

32mm幅キャリアテープ
32mm WIDTH CARRIER TAPE

32	33.5	17.4	20.3	52559-3092	30
キャリアテープ幅 CARRIER TAPE WIDTH	C	(B)	(A)	ENG. NO.	極数 CIRCUIT

REVISED EC NO: J2016-0380 DRW:NASANUMA 2015/10/15 CHK:D:KAKAHASHI 2015/10/16 APPR:YNOGAWA 2015/11/09	GENERAL TOLERANCES (UNLESS SPECIFIED)		DIMENSION STYLE MM ONLY		SCALE ---		DESIGN UNITS METRIC		THIRD ANGLE PROJECTION		
	0.25 UNDER	UNDER	±0.03	DRAWN BY	DATE	TITLE					
	0.25 OVER	0.5 UNDER	±0.05	M.SHIMIZU	2000/12/20	0.5 FPC CONN ASSY ZIF SMT ST EMBSTP PKG					
	0.5 OVER	1.0 UNDER	±0.1	S.KUNISHI	2000/12/20						
1.0 OVER	10 UNDER	±0.2	APPROVED BY		DATE	molex DOCUMENT NO. SD-52559-054		SHEET NO. 3 OF 3			
10 OVER	30 UNDER	±0.25	M.FUKUSHIMA		2000/12/20						
30 OVER		±0.3	MATERIAL NO.		SEE CHART						
ANGULAR ±3 °			SIZE A3		THIS DRAWING CONTAINS INFORMATION THAT IS PROPRIETARY TO MOLEX INCORPORATED AND SHOULD NOT BE USED WITHOUT WRITTEN PERMISSION						
DRAFT WHERE APPLICABLE MUST REMAIN WITHIN DIMENSIONS											