



Chipsmall Limited consists of a professional team with an average of over 10 year of expertise in the distribution of electronic components. Based in Hongkong, we have already established firm and mutual-benefit business relationships with customers from,Europe,America and south Asia,supplying obsolete and hard-to-find components to meet their specific needs.

With the principle of “Quality Parts,Customers Priority,Honest Operation,and Considerate Service”,our business mainly focus on the distribution of electronic components. Line cards we deal with include Microchip,ALPS,ROHM,Xilinx,Pulse,ON,Everlight and Freescale. Main products comprise IC,Modules,Potentiometer,IC Socket,Relay,Connector.Our parts cover such applications as commercial,industrial, and automotives areas.

We are looking forward to setting up business relationship with you and hope to provide you with the best service and solution. Let us make a better world for our industry!



## Contact us

Tel: +86-755-8981 8866 Fax: +86-755-8427 6832

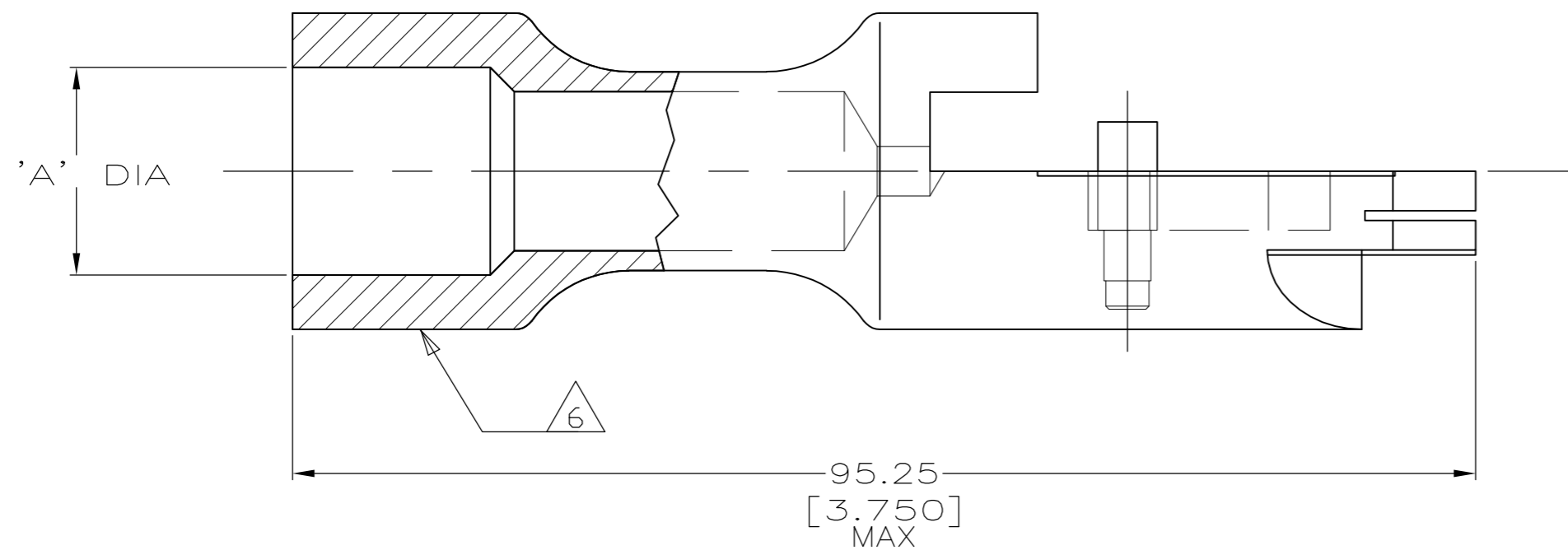
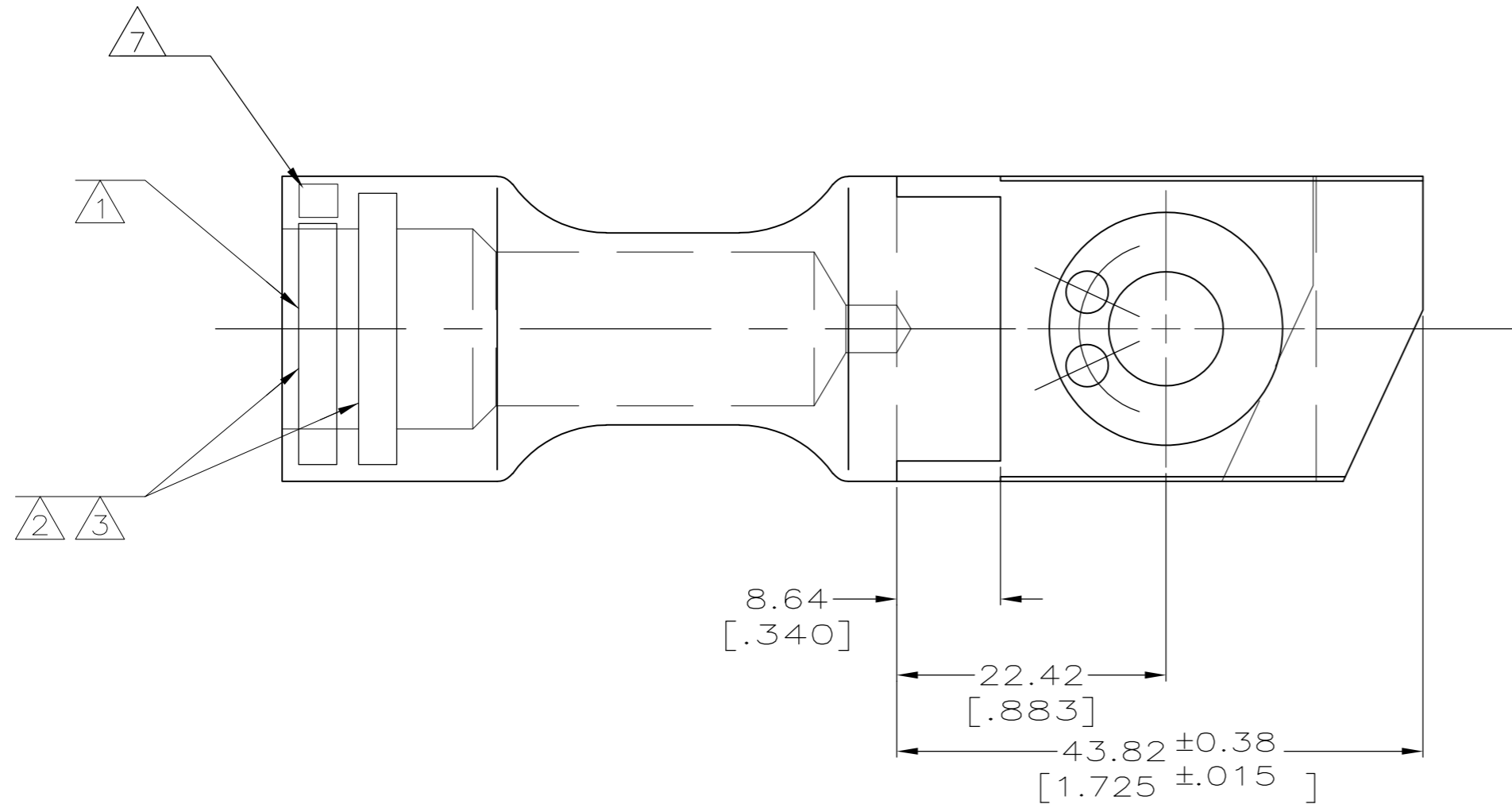
Email & Skype: info@chipsmall.com Web: www.chipsmall.com

Address: A1208, Overseas Decoration Building, #122 Zhenhua RD., Futian, Shenzhen, China

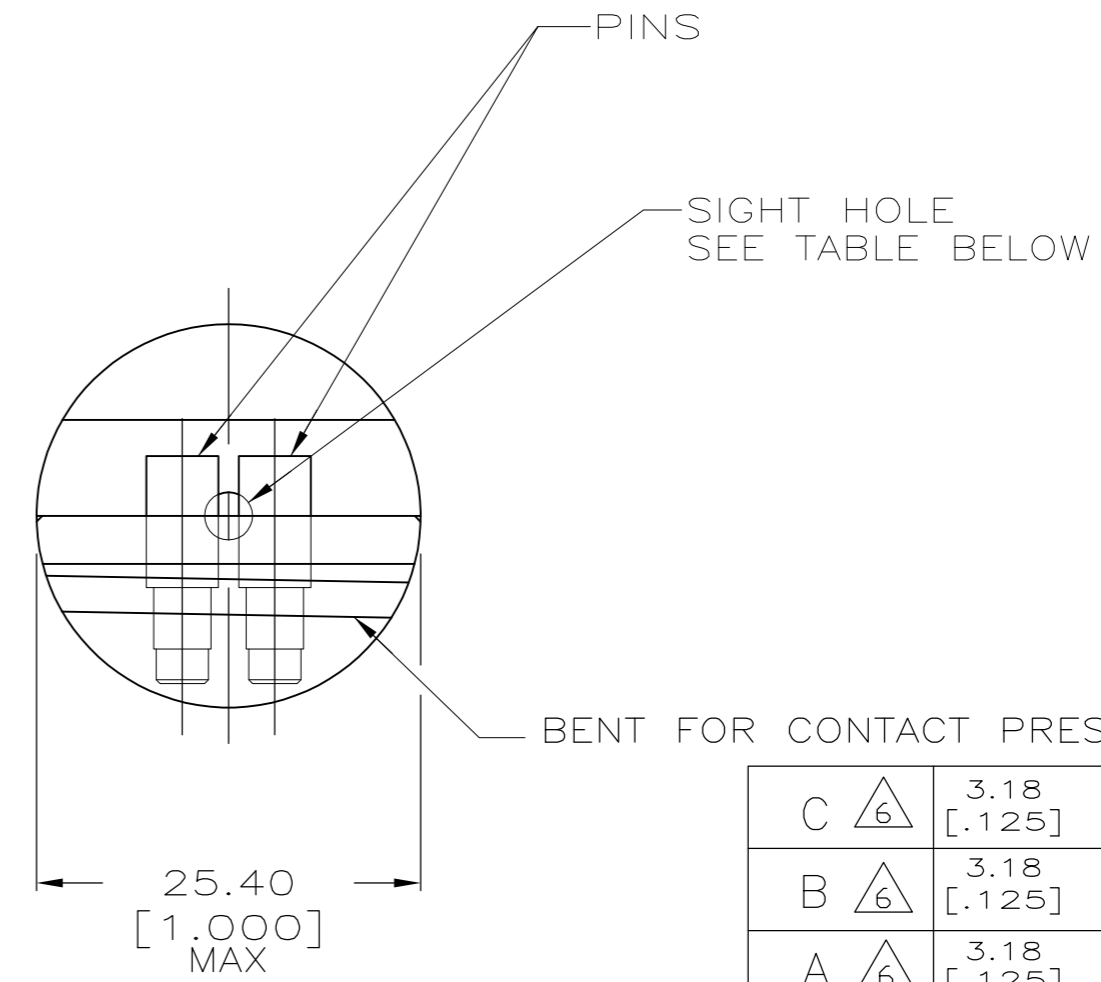


THIS DRAWING IS UNPUBLISHED. RELEASED FOR PUBLICATION  
 © COPYRIGHT BY TYCO ELECTRONICS CORPORATION. ALL RIGHTS RESERVED.

LOC	DIST	REVISIONS			
P	LTR	DESCRIPTION	DATE	DWN	APVD
G	86				
		REV PER ECR 09-003434	23FEB09	JR	RL



- ① STAMP AMP 1/0 APPROX AS SHOWN
- ② STAMP 1/0 A33 Ⓜ7077D8OG13 APPROX AS SHOWN
- ③ STAMP 1/0 A33 Ⓜ7077D8OG09 APPROX AS SHOWN
- ④ BODY AND PINS, BRASS PER QQ-B-626
- ⑤ SILVER PLATE 0.00254 [.000100] MIN PER QQ-S-365
- ⑥ STAMP " see table " TO DENOTE ELECTRICAL PHASE.
- ⑦ STAMP TYCO ELECTRONICS ID
- ⑧ PRELIMINARY - NOT FOR PRODUCTION



SIZE	CAGE CODE	DRAWING NO	RESTRICTED TO
A	00779	C=52594	-

PHASE	AMP	PART NUMBER
C	①	3.18 [.125] 16.66 [.656] ⑧1-52594-6
B	①	3.18 [.125] 16.66 [.656] ⑧1-52594-5
A	①	3.18 [.125] 16.66 [.656] ⑧1-52594-4
-	-	3.18 [.125] 16.66 [.656] 52594-6
-	-	3.18 [.125] 15.09 [.594] 52594-5
-	-	3.18 [.125] 15.09 [.594] 52594-4
-	-	3.18 [.125] 18.64 [.734] 52594-3
-	-	3.18 [.125] 16.66 [.656] 52594-2
-	-	NONE 16.66 [.656] 52594-1

THIS DRAWING IS A CONTROLLED DOCUMENT.

DWN DK SCHRUM 12JUN96  
 CHK WJ VOCKROTH 25JUN96  
 APVD JL MECKLEY 25JUN96

Tyco Electronics Tyco Electronics Corporation  
 Harrisburg, PA 17105-3608

PRODUCT SPEC 108-13014  
 APPLICATION SPEC -

WEIGHT - lbs  
 MATERIAL - ④  
 FINISH - ⑤

NAME TERMINAL ASSEMBLY, QUICK-DISCONNECT, AMPOWER

SIZE A2 CAGE CODE 00779 DRAWING NO C=52594 RESTRICTED TO -

CUSTOMER DRAWING SCALE 2:1 SHEET 1 of 1 REV G