



Chipsmall Limited consists of a professional team with an average of over 10 year of expertise in the distribution of electronic components. Based in Hongkong, we have already established firm and mutual-benefit business relationships with customers from,Europe,America and south Asia,supplying obsolete and hard-to-find components to meet their specific needs.

With the principle of “Quality Parts,Customers Priority,Honest Operation,and Considerate Service”,our business mainly focus on the distribution of electronic components. Line cards we deal with include Microchip,ALPS,ROHM,Xilinx,Pulse,ON,Everlight and Freescale. Main products comprise IC,Modules,Potentiometer,IC Socket,Relay,Connector.Our parts cover such applications as commercial,industrial, and automotives areas.

We are looking forward to setting up business relationship with you and hope to provide you with the best service and solution. Let us make a better world for our industry!



Contact us

Tel: +86-755-8981 8866 Fax: +86-755-8427 6832

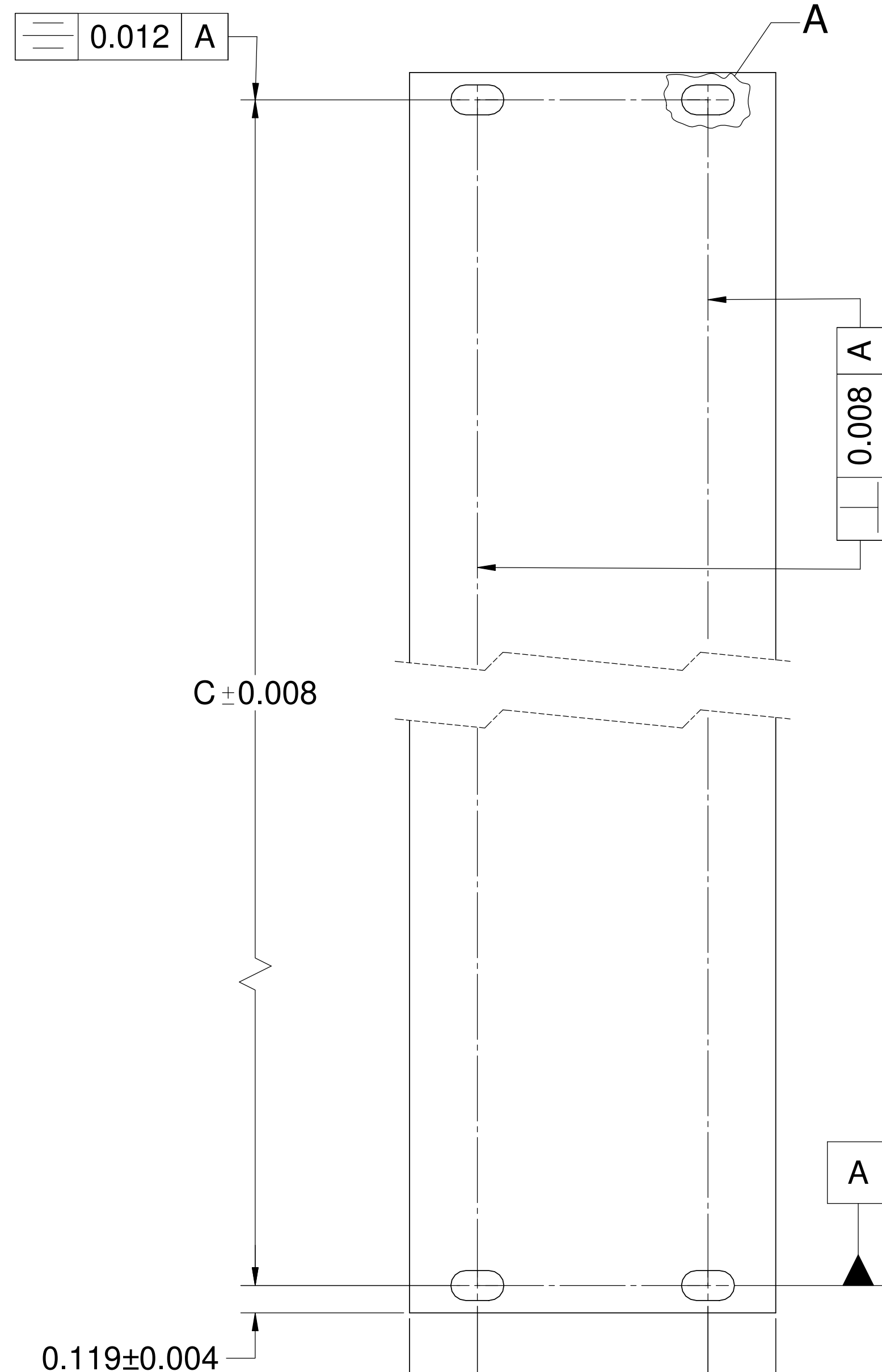
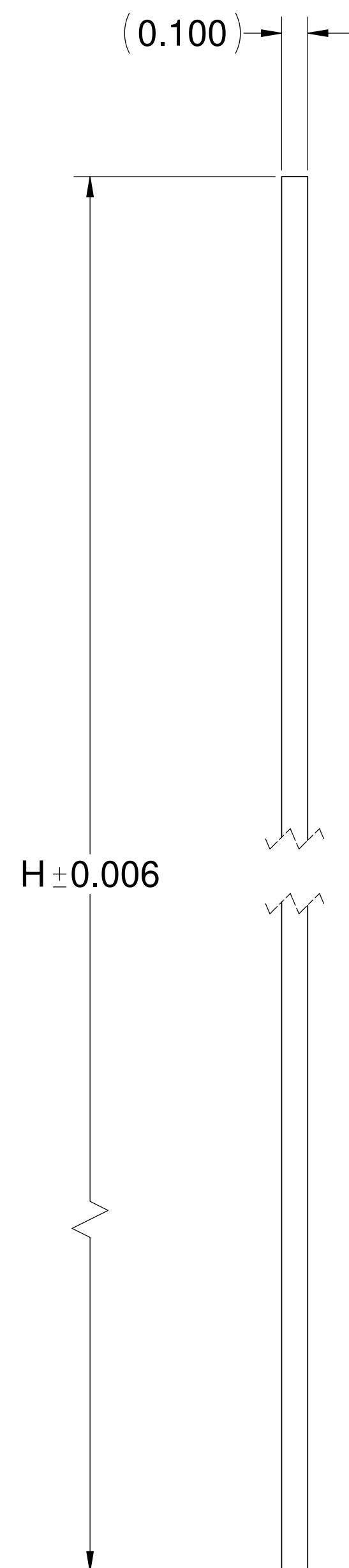
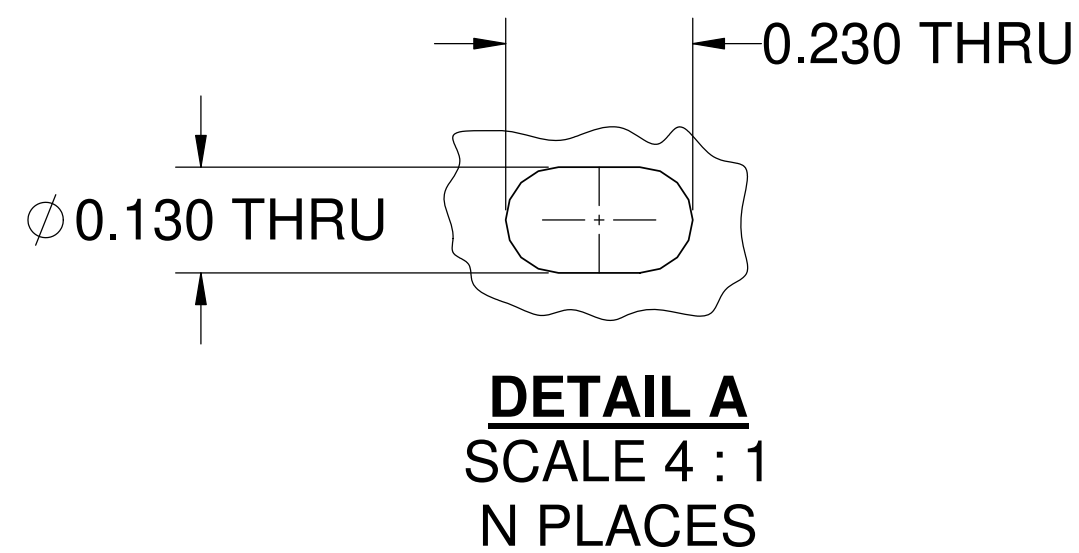
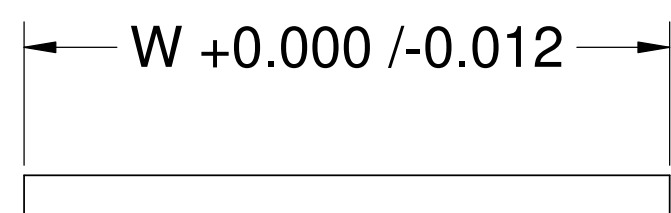
Email & Skype: info@chipsmall.com Web: www.chipsmall.com

Address: A1208, Overseas Decoration Building, #122 Zhenhua RD., Futian, Shenzhen, China

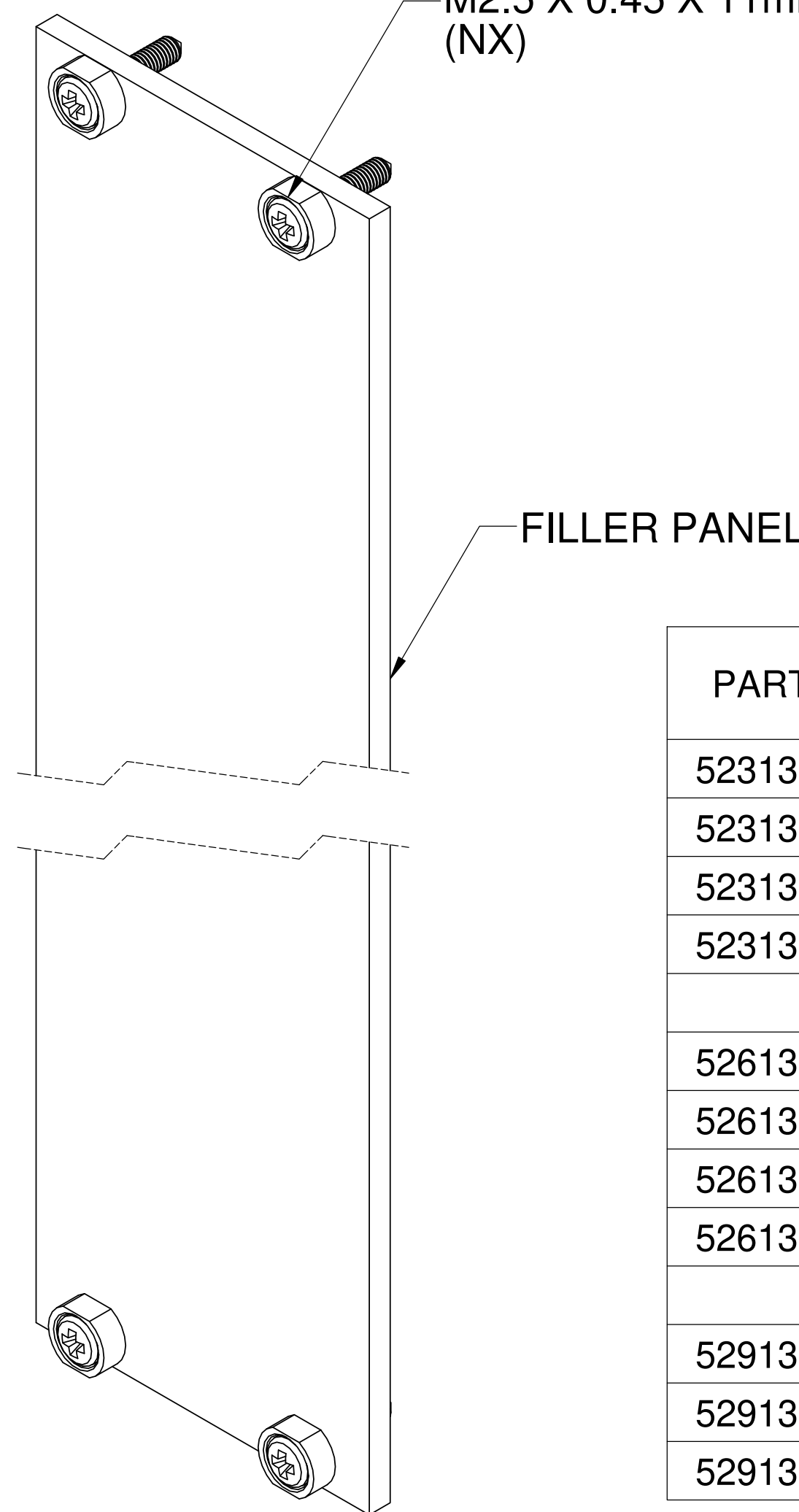


PROPRIETARY AND CONFIDENTIAL
 THE INFORMATION CONTAINED IN THIS DRAWING IS THE SOLE PROPERTY OF VECTOR
 ELECTRONICS & TECH., INC. ANY REPRODUCTION IN PART OR AS A WHOLE WITHOUT
 THE WRITTEN PERMISSION OF VECTOR ELECTRONICS & TECH., INC. IS PROHIBITED.

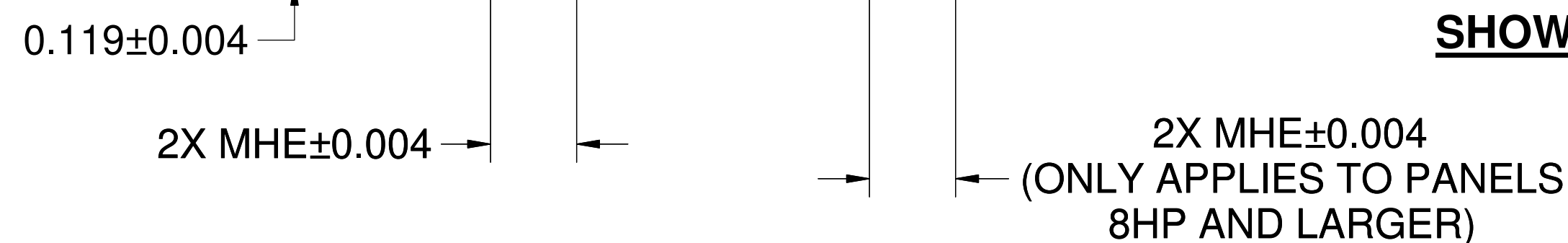
REVISIONS				
ZONE	REV	DESCRIPTION	DATE	APPROVED
ALL	A	REDRAWN	05/04/12	



RETAINER SLEEVE, POLYAMIDE, BLACK, 94300008
 M2.5 X 0.45 X 11mm CAPTIVE SCREW, STEEL, 95000002B
 (NX)



PART NO	DESCRIPTION	HEIGHT "H"	WIDTH "W"	CENTER "C"	MOUNTING HOLE "MHE"	PLACES "N"
5231304-07	3U X 4HP	5.060	0.788	4.823	0.294	2
5231308-07	3U X 8HP	5.060	1.588	4.823	0.294	4
5231312-07	3U X 12HP	5.060	2.388	4.823	0.294	4
5231342-07	3U X 42HP	5.060	8.388	4.823	0.294	4
5261304-07	6U X 4HP	10.310	0.788	10.073	0.294	2
5261308-07	6U X 8HP	10.310	1.588	10.073	0.294	4
5261312-07	6U X 12HP	10.310	2.388	10.073	0.294	4
5261324-07	6U X 24HP	10.310	4.788	10.073	0.294	4
5291304-07	9U X 4HP	15.560	0.788	15.323	0.294	2
5291308-07	9U X 8HP	15.560	1.588	15.323	0.294	4
5291312-07	9U X 12HP	15.560	2.388	15.323	0.294	4



FILLER PANEL DETAIL

SHOWN FILLER PANEL ASSEMBLY

- 4. FINISH: CLEAR CHEM FILM, IAW MIL-C-5541, CLASS 3
- 3. LIGHT GRAIN FRONT & BACK SURFACE IN DIRECTION SHOWN USING 180 GRIT
- 2. MATERIAL: ALUMINUM ALLOY 6061-T6, 0.100 THICK
MAKE FROM P/N # 0030-55-48B
- 1. REMOVE ALL BURRS, SHARP EDGES & SURFACE SCRATCHES

NOTES : UNLESS OTHERWISE SPECIFIED

UNLESS OTHERWISE SPECIFIED DIMENSIONS ARE IN INCHES TOLERANCES: DEC .X ±.1 DEC .XX ±.03 DEC .XXX ±.010 FRACTIONS ±.050 ANGLES ±1°	
MATERIAL	2
FINISH	4

APPROVALS	NAME	DATE
DRAWN	TRUSHAR	05/04/12
CHECKED		
ENGINEER		
QA		

THIRD ANGLE PROJECTION

VECTOR ELECTRONICS & TECHNOLOGY, INC. 11115 VANOWEN ST., NORTH HOLLYWOOD, CA 91605 www.vectorselect.com

3U, 6U, 9U NON EMC FILLER PANEL

SIZE	DWG. NO.	REV
D	52RU304-HP	A
SCALE: 2:1	CAGE CODE: 82893	SHEET 1 OF 1

