



Chipsmall Limited consists of a professional team with an average of over 10 year of expertise in the distribution of electronic components. Based in Hongkong, we have already established firm and mutual-benefit business relationships with customers from,Europe,America and south Asia,supplying obsolete and hard-to-find components to meet their specific needs.

With the principle of "Quality Parts,Customers Priority,Honest Operation,and Considerate Service",our business mainly focus on the distribution of electronic components. Line cards we deal with include Microchip,ALPS,ROHM,Xilinx,Pulse,ON,Everlight and Freescale. Main products comprise IC,Modules,Potentiometer,IC Socket,Relay,Connector.Our parts cover such applications as commercial,industrial, and automotives areas.

We are looking forward to setting up business relationship with you and hope to provide you with the best service and solution. Let us make a better world for our industry!



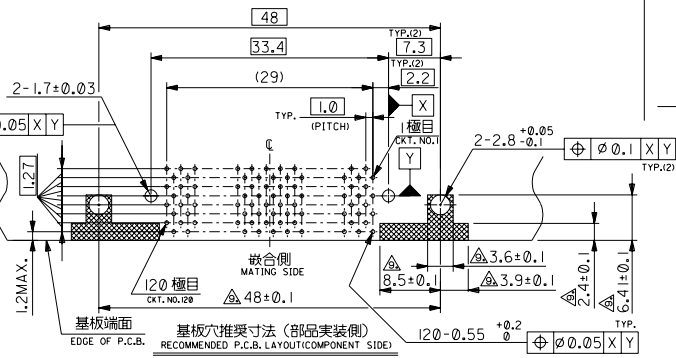
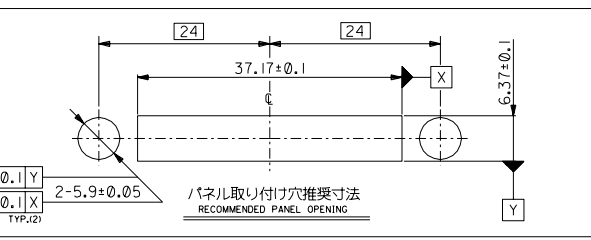
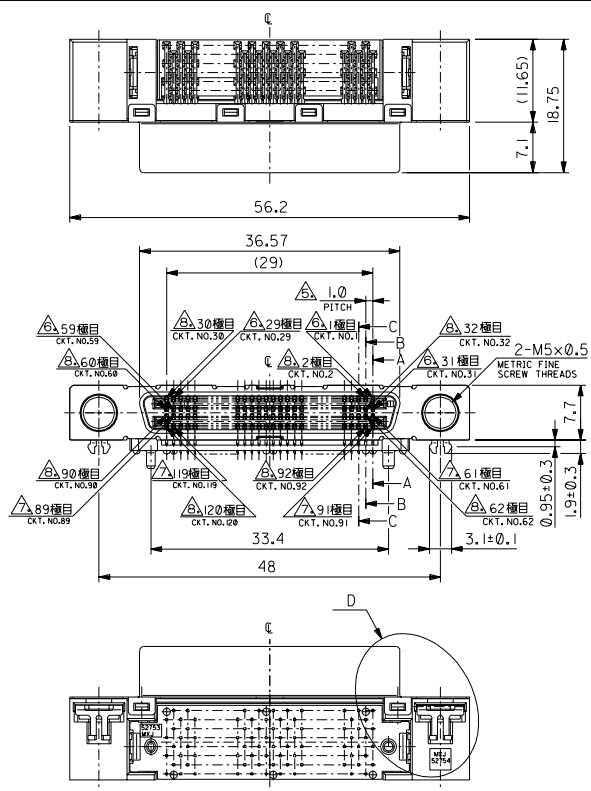
## Contact us

Tel: +86-755-8981 8866 Fax: +86-755-8427 6832

Email & Skype: info@chipsmall.com Web: www.chipsmall.com

Address: A1208, Overseas Decoration Building, #122 Zhenhua RD., Futian, Shenzhen, China

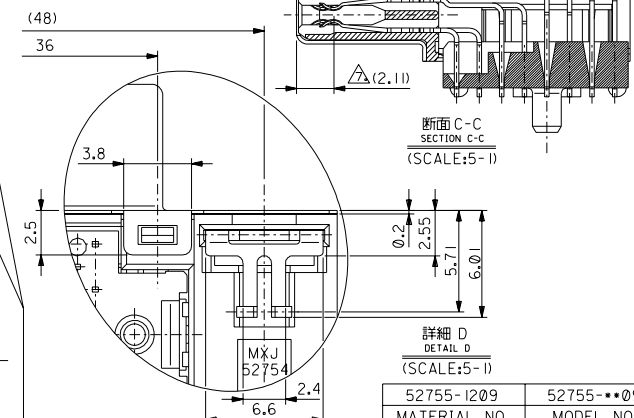
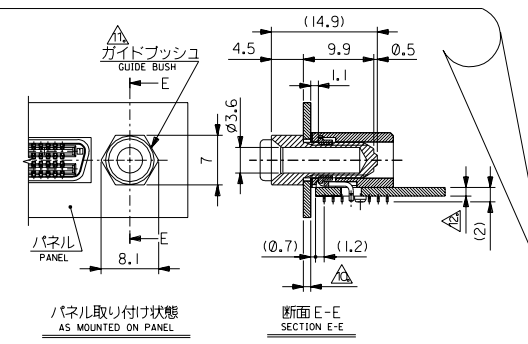
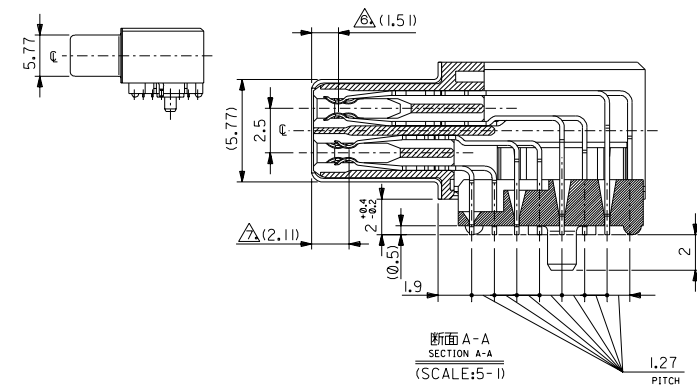




注) 1. 材質 MATERIAL  
ハウジング : ガラス入り耐熱樹脂, 白色, UL94V-0  
HOUSING : G.F.HEAT RESISTANT PLASTIC, WHITE, UL94V-0  
ガイドプレート : ガラス入り耐熱樹脂, 白色, UL94V-0  
GUIDE PLATE : G.F.HEAT RESISTANT PLASTIC, WHITE, UL94V-0  
ターミナル : りん青銅  
TERMINAL : PHOSPHOR BRONZE  
シールドカバー : 鋼材  
SHIELD COVER : STEEL  
メタルペグ : 鋼材  
METAL PEG : STEEL

2. ターミナル メッキ仕様 TERMINAL PLATING  
金メッキ : 0.76 μm MIN. (接点部)  
GOLD : (CONTACT AREA)  
銀メッキ : 1.0 μm MIN. (半田付け部)  
SILVER : (SOLDER AREA)  
ニッケルメッキ : 2.0 μm MIN. (下地メッキ)  
NICKEL : (UNDER PLATING)

3. シールド メッキ仕様 SHIELD COVER PLATING  
ニッケルメッキ : 2.0 μm MIN.  
NICKEL



4. メタルペグ メッキ仕様 METAL PEG PLATING  
銀メッキ : 1.0 μm MIN.  
TIN

公差非累積 TOLERANCES : NON CUMULATIVE  
APPLIES TO CIRCUIT NUMBERS 1,29,31,59  
奇数極に適用。但し、1, 29, 31, 59 極目を除く。  
APPLIES TO ODD CIRCUITS EXCEPT CIRCUIT NUMBERS 1,29,31,59  
偶数極に適用。 APPLIES TO EVEN CIRCUIT NUMBERS  
パターン禁止エリア (2ヶ所) NO FOOT PRINT TO BE DRAWN IN THESE TWO AREAS.  
取り付けパネル厚さ 0.4~1.0 mm RECOMMENDED PANEL THICKNESS  
パネル取り付け専用パーツ型番 : 58001-0000 PART NUMBER OF PANEL MOUNTING FASTENER : 58001-0000  
(詳細はモレックス図番 SD-58001-0000 を参照下さい。)  
REFER TO THE DRAWING NO. SD-58001-0000 ON DETAILS.  
取り付け基板厚さ 0.8~1.4 mm RECOMMENDED P.C.B. THICKNESS

13. 本製品は 52755-1200 の鉛フリー品である。 THIS PRODUCT IS LEAD FREE OF 52755-1200.

角度 ANGLE	±3°	材料 MATERIAL	注参照 SEE NOTES	モレックス MOLEX JAPAN CO., LTD. 日本モレックス株式会社
30以上 OVER	±0.3	仕上げ FINISH	注参照 SEE NOTES	REVISE ONLY ON CAD SYSTEM
10以下 UNDER	±0.25	適用電線範囲 WIRE RANGE	---	TITLE 名称
10未満 UNDER	±0.2	被覆外径 INS. RANGE	---	REC. ASS'Y (GUIDE BUSH TYPE) - LEAD FREE-
公差 GENERAL TOLERANCES	見直し RELEASE	製作者 MANABE	CHK'D BY K.TOJO	DWG. NO.
記号 LTR	変更内容 REVISION RECORD	DR. DATE	APP'D BY DATE	尺度 SCALE 2-1
				SD-52755-001