



Chipsmall Limited consists of a professional team with an average of over 10 year of expertise in the distribution of electronic components. Based in Hongkong, we have already established firm and mutual-benefit business relationships with customers from,Europe,America and south Asia,supplying obsolete and hard-to-find components to meet their specific needs.

With the principle of “Quality Parts,Customers Priority,Honest Operation,and Considerate Service”,our business mainly focus on the distribution of electronic components. Line cards we deal with include Microchip,ALPS,ROHM,Xilinx,Pulse,ON,Everlight and Freescale. Main products comprise IC,Modules,Potentiometer,IC Socket,Relay,Connector.Our parts cover such applications as commercial,industrial, and automotives areas.

We are looking forward to setting up business relationship with you and hope to provide you with the best service and solution. Let us make a better world for our industry!



Contact us

Tel: +86-755-8981 8866 Fax: +86-755-8427 6832

Email & Skype: info@chipsmall.com Web: www.chipsmall.com

Address: A1208, Overseas Decoration Building, #122 Zhenhua RD., Futian, Shenzhen, China



4

3

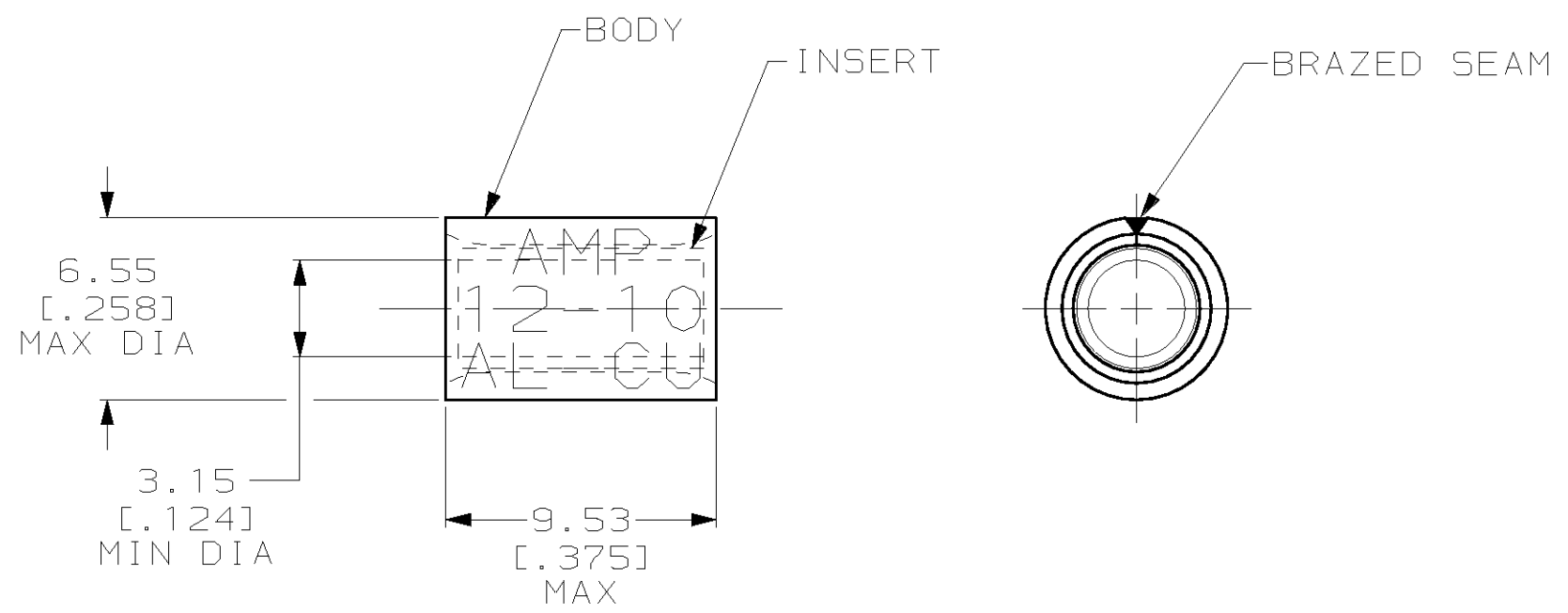
2

1

THIS DRAWING IS UNPUBLISHED. RELEASED FOR PUBLICATION ,19 .

© COPYRIGHT 19 BY AMP INCORPORATED. ALL RIGHTS RESERVED.

| LOC | DIST | REVISIONS | | | |
|-----|------|-------------|--------------------------|---------|------------|
| P | LTR | DESCRIPTION | DATE | DWN | APVD |
| G | 86 | C | REVISED PER 0L20-0260-97 | 22DEC97 | DKS MJS |



| | |
|---|-----------------|
| <p><u>BODY:</u> COPPER PER ASTM B-152 TIN PL 0.00254 [.000100] MIN THK PER ASTM B-545</p> | 52792 |
| <p><u>INSERT:</u> BRASS PER MIL-C-50 TIN PL 0.00254 [.000100] MIN THK PER ASTM B-545</p> | |
| MATERIAL & FINISH | AMP PART NUMBER |

AMP INCORPORATED CUSTOMER SERVICE SYSTEMS

| | | |
|--|--|--|
| FOR ADDITIONAL PRODUCT INFORMATION OR COPIES OF DRAWINGS AND TECHNICAL DOCUMENTS | PRODUCT INFORMATION CENTER 1-800-522-6752 | RECOMMENDED OPERATING TEMPERATURE: 170°C MAX |
| FOR APPLICATION TOOLING INFORMATION | TOOLING ASSISTANCE CENTER 1-800-722-1111 | VOLTAGE RATING: NOT APPLICABLE |
| FOR ORDER ENTRY | 1-800-526-5142 | WIRE CROSS SECTIONAL AREA RANGE: 2.62-6.64mm ² [5,180-13,100] CIR MILS SOLID/STRANDED |

THIS DRAWING IS A CONTROLLED DOCUMENT.

| | |
|----------------------------|--|
| DIMENSIONS: mm [INCHES] | TOLERANCES UNLESS OTHERWISE SPECIFIED: |
| | 0 PLC ±- |
| | 1 PLC ±- |
| | 2 PLC ±0.20 [.008] |
| | 3 PLC ±- |
| | 4 PLC ±- |
| | ANGLES ±5° |
| MATERIAL SEE TABLE | FINISH SEE TABLE |

| | |
|-------------------------------|--|
| DWN DK SCHRUM 22DEC97 | AMP AMP Incorporated Harrisburg, PA 17105-3608 |
| CHK MJ SPICER 23DEC97 | |
| APVD JL MECKLEY 23DEC97 | |
| PRODUCT SPEC - | NAME SPLICE, PARALLEL, STRANDED/SOLID, COPALUM™, WIRE SIZE: 12-10 AWG |
| APPLICATION SPEC - | SIZE A3 |
| WEIGHT - | CAGE CODE 00779 |
| CUSTOMER DRAWING | DRAWING NO C- 52792 |
| | RESTRICTED TO - |
| | SCALE 4:1 |
| | SHEET 1 OF 1 |
| | REV C |