



Chipsmall Limited consists of a professional team with an average of over 10 year of expertise in the distribution of electronic components. Based in Hongkong, we have already established firm and mutual-benefit business relationships with customers from,Europe,America and south Asia,supplying obsolete and hard-to-find components to meet their specific needs.

With the principle of “Quality Parts,Customers Priority,Honest Operation,and Considerate Service”,our business mainly focus on the distribution of electronic components. Line cards we deal with include Microchip,ALPS,ROHM,Xilinx,Pulse,ON,Everlight and Freescale. Main products comprise IC,Modules,Potentiometer,IC Socket,Relay,Connector.Our parts cover such applications as commercial,industrial, and automotives areas.

We are looking forward to setting up business relationship with you and hope to provide you with the best service and solution. Let us make a better world for our industry!



## Contact us

Tel: +86-755-8981 8866 Fax: +86-755-8427 6832

Email & Skype: info@chipsmall.com Web: www.chipsmall.com

Address: A1208, Overseas Decoration Building, #122 Zhenhua RD., Futian, Shenzhen, China



DWG. NO.  
SD-52806-\*\*-10

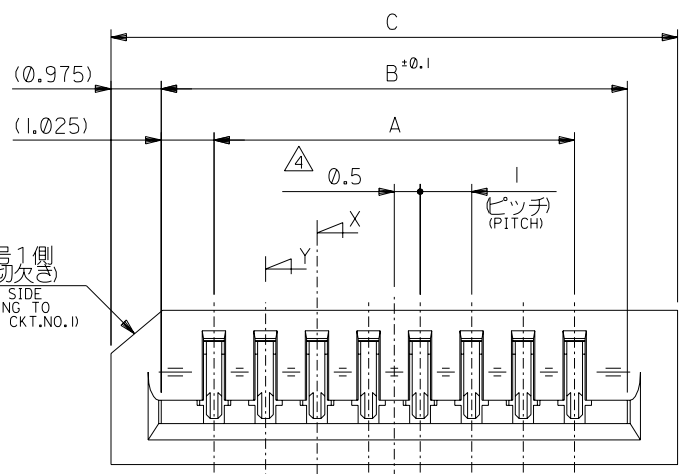
E

D

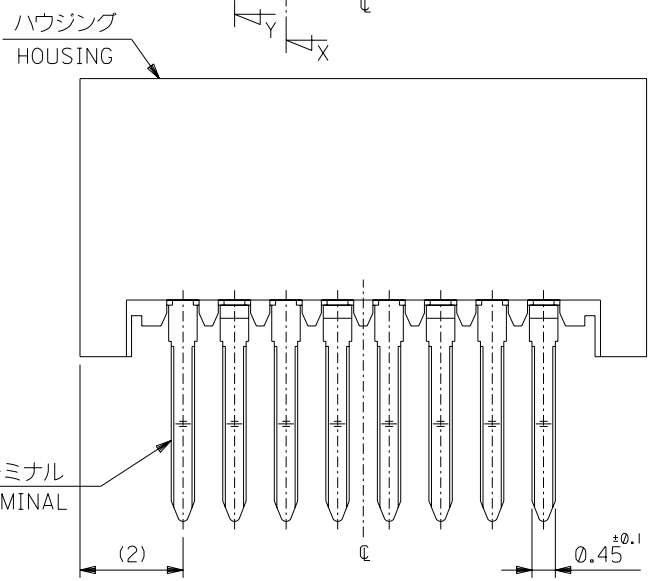
DIMENSIONS IN METRIC DO NOT SCALE DRAWING

B

A



回路番号1側  
(表示用切欠き)  
CKT.NO.1 SIDE  
(CHAMFERING TO  
INDICATE CKT.NO.1)

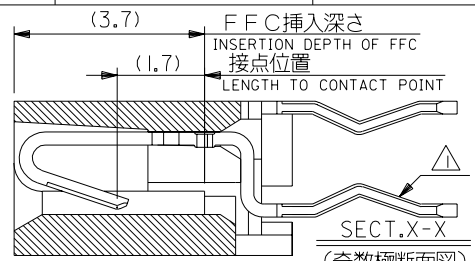


ハウジング  
HOUSING

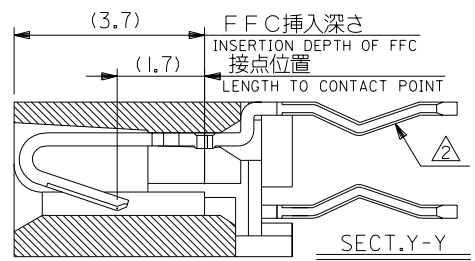
ターミナル  
TERMINAL

注記 NOTES

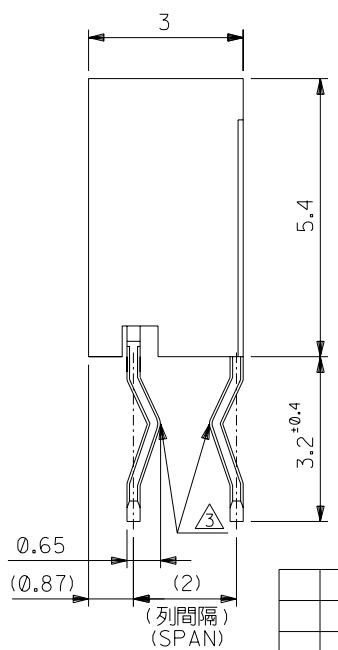
- ① 回路番号1を基準に奇数番目の極におけるソルダータール。  
ODD NUMBER SOLDER TAIL FROM THE CKT.NO.1.
- ② 回路番号1を基準に偶数番目の極におけるソルダータール。  
EVEN NUMBER SOLDER TAIL FROM THE CKT.NO.1.
- ③ キングはソルダータール全極にもうける。  
SOLDER TAIL KINK SHALL BE PROVIDED ON ALL TAILS.
- ④ 偶数極に適用。  
APPLY FOR EVEN CKT.



SECT.X-X  
(奇数極断面図)  
(ODD CKT.)



SECT.Y-Y  
(偶数極断面図)  
(EVEN CKT.)



無鉛  
LEAD FREE

角度 ANGLE	±3°				
30以上 OVER	+0.3	B	REVISED J2003-0413	S.T	02/08/05
10以上 OVER 30 UNDER	+0.25	A	REVISED (J40670)	S.A.M.	04/ 8/20
未満 30 UNDER	+0.2	0	PROPOSED (J40434)	S.A.S	04/ 6/ 3
未満 10 UNDER				S.S	
一般公差 GENERAL TOLERANCES		記号 LTR	変更内容 REVISION RECORD	DR. CHK.	日付 DATE

33	31.05	29	52806-3010	30
32	30.05	28	-2910	29
31	29.05	27	-2810	28
30	28.05	26	-2710	27
29	27.05	25	-2610	26
28	26.05	24	-2510	25
27	25.05	23	-2410	24
26	24.05	22	-2310	23
25	23.05	21	-2210	22
24	22.05	20	-2110	21
23	21.05	19	-2010	20
22	20.05	18	-1910	19
21	19.05	17	-1810	18
20	18.05	16	-1710	17
19	17.05	15	-1610	16
18	16.05	14	-1510	15
17	15.05	13	-1410	14
16	14.05	12	-1310	13
15	13.05	11	-1210	12
14	12.05	10	-1110	11
13	11.05	9	-1010	10
12	10.05	8	-0910	9
11	9.05	7	-0810	8
10	8.05	6	-0710	7
9	7.05	5	-0610	6
8	6.05	4	-0510	5
7	5.05	3	-0410	4
6	4.05	2	52806-0310	3
C	B	A	ENG. NO	極数 CIRCUIT

材料 ハウジング: PPS  
MATERIAL HOUSING UL 94V-0

ターミナル: リン青銅, 錫メッキ t=0.25  
TERMINAL: PHOS-BRO. TIN-PLATED

仕上げ FINISH //

適用電線範囲 WIRE RANGE //

被覆外径 INS. RANGE //

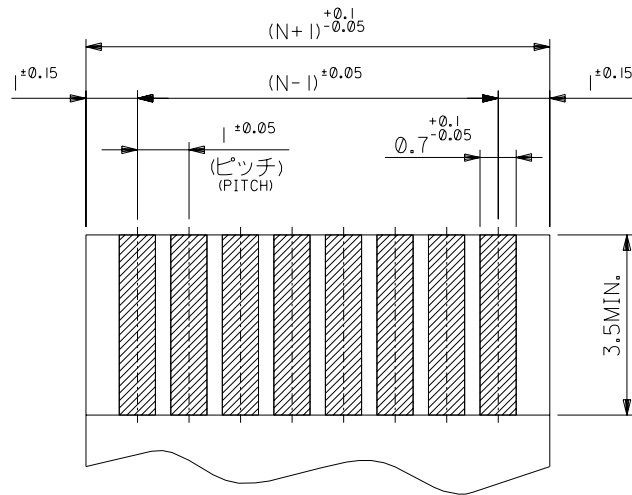
DRAWN BY '94/ 8/20 S.AIHARA  
CHK'D BY '94/ 8/20 S.KUNISHI

APP'D BY '94/ 8/20 M.FUKUSHIMA  
尺 度 SCALE 10-1

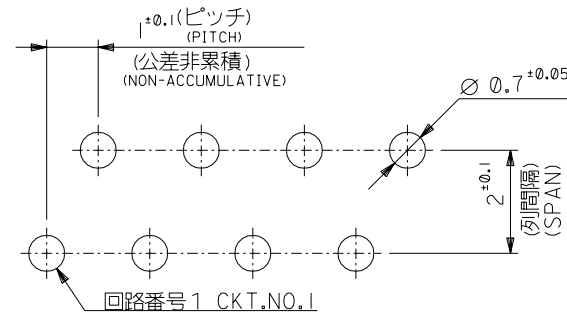
REVISE ONLY ON CAD SYSTEM

TITLE 名称  
1.0 FFC CONN.  
NON Z.I.F. DIP ST.

DWG. NO. (SHEET 1 OF 2) REV B  
SD-52806-\*\*-10



(仕上がり厚さ0.3<sup>±0.03</sup>)  
THICKNESS  
適合FPC推奨寸法  
APPLICABLE FPC  
RECOMMENDED DIMENSION.



基板取付穴推奨寸法  
RECOMMENDED P.C. BOARD  
HOLE DIMENSION  
(マウント面, t=1.6)  
(MOUNTING SIDE, t=1.6)

無鉛  
LEAD FREE

				材料 MATERIAL		—//—		molex MOLEX-JAPAN CO.,LTD. 日本モレックス株式会社	
				仕上げ FINISH		—//—		REVISE ONLY ON CAD SYSTEM	
				適用電線範囲 WIRE RANGE		—//—		TITLE 名称	
				被覆外径 INS. RANGE		—//—		1.0 FFC CONN. NON Z.I.F. DIP ST.	
角度 ANGLE		±3°		DRAWN BY '94/ 6/ 3		CHK'D BY '94/ 8/20		DWG. NO. (SHEET 2 OF 2) REV	
30以上 OVER		±0.3	B	S. AIHARA		S. KUNISHI		SD-52806-**-10	
10以上 OVER 30未滿 UNDER		±0.25	A	M. FUKUSHIMA				B	
未滿 UNDER		±0.2	0	DR. DATE		尺 度		SCALE	
一般公差 GENERAL TOLERANCES		記号 LTR		変更内容 REVISION RECORD		日付 DATE		尺 度 SCALE	