



Chipsmall Limited consists of a professional team with an average of over 10 year of expertise in the distribution of electronic components. Based in Hongkong, we have already established firm and mutual-benefit business relationships with customers from,Europe,America and south Asia,supplying obsolete and hard-to-find components to meet their specific needs.

With the principle of “Quality Parts,Customers Priority,Honest Operation,and Considerate Service”,our business mainly focus on the distribution of electronic components. Line cards we deal with include Microchip,ALPS,ROHM,Xilinx,Pulse,ON,Everlight and Freescale. Main products comprise IC,Modules,Potentiometer,IC Socket,Relay,Connector.Our parts cover such applications as commercial,industrial, and automotives areas.

We are looking forward to setting up business relationship with you and hope to provide you with the best service and solution. Let us make a better world for our industry!



Contact us

Tel: +86-755-8981 8866 Fax: +86-755-8427 6832

Email & Skype: info@chipsmall.com Web: www.chipsmall.com

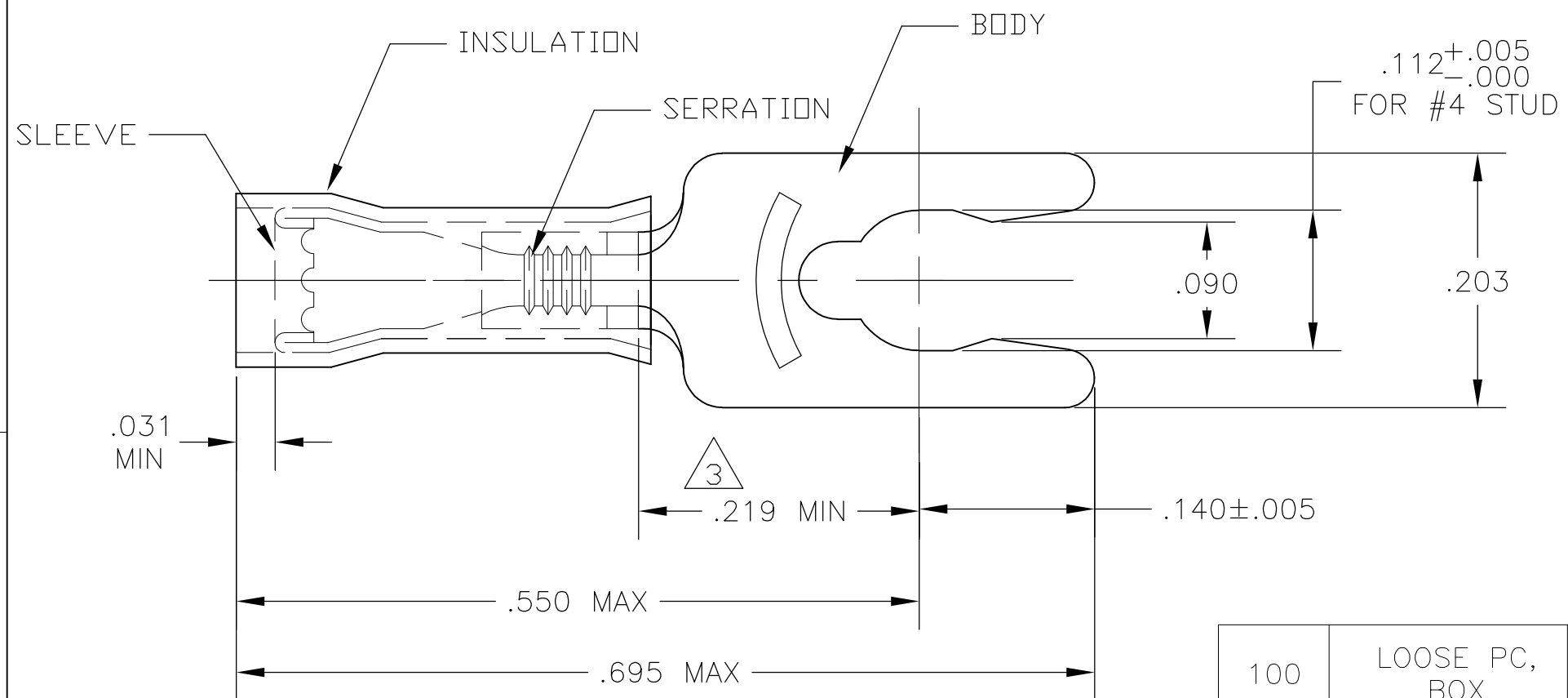
Address: A1208, Overseas Decoration Building, #122 Zhenhua RD., Futian, Shenzhen, China



THIS DRAWING IS UNPUBLISHED. RELEASED FOR PUBLICATION
 © COPYRIGHT BY TYCO ELECTRONICS CORPORATION. ALL INTERNATIONAL RIGHTS RESERVED.

LOC	DIST	REVISIONS					
G	14	P	LTR	DESCRIPTION	DATE	DWN	APVD
		F		REV & REDRAWN PER ECR 10-005247	09MAR10	JR	TM

- 1 FOR .050 TO .082 WIRE INSULATION DIA
- 2 TONGUE MATERIAL THK = .018±.002
- △3 APPLIES FROM THE METAL EDGE OF THE BARREL TO THE CENTER OF THE STUD



100	LOOSE PC, BOX	BODY: PHOS BRONZE PER ASTM-B103 TIN PLATE PER ASTM-B545 SLEEVE: COPPER PER ASTM-B152 TIN PLATE PER ASTM-B545 INSULATION: NYLON PER ASTM-D4066 TYPE 1, COLOR: YELLOW	8-52922-1
5,000	52922 ON TAPE		52922-1
1	WIRE TERMINAL		52922
QTY	DESCRIPTION		MATERIAL & FINISH

THIS DRAWING IS A CONTROLLED DOCUMENT.		DWN jr_ruth 09MAR10	Tyco Electronics Corporation Harrisburg, PA 17105-3608	
DIMENSIONS: INCHES		CHK TOM MICHIELUTTI 09MAR10	NAME	
TOLERANCES UNLESS OTHERWISE SPECIFIED:		APVD TOM MICHIELUTTI 09MAR10	WIRE TERMINAL, PIDG, SPRING SPADE WIRE SIZE: 26-22	
MATERIAL SEE TABLE		FINISH SEE TABLE	PRODUCT SPEC —	RESTRICTED TO —
		APPLICATION SPEC —	SIZE A3	CAGE CODE 00779
		WEIGHT —	DRAWING NO G-52922	SCALE 8:1
		CUSTOMER DRAWING		SHEET 1 OF 1
				REV F