



Chipsmall Limited consists of a professional team with an average of over 10 year of expertise in the distribution of electronic components. Based in Hongkong, we have already established firm and mutual-benefit business relationships with customers from,Europe,America and south Asia,supplying obsolete and hard-to-find components to meet their specific needs.

With the principle of “Quality Parts,Customers Priority,Honest Operation,and Considerate Service”,our business mainly focus on the distribution of electronic components. Line cards we deal with include Microchip,ALPS,ROHM,Xilinx,Pulse,ON,Everlight and Freescale. Main products comprise IC,Modules,Potentiometer,IC Socket,Relay,Connector.Our parts cover such applications as commercial,industrial, and automotives areas.

We are looking forward to setting up business relationship with you and hope to provide you with the best service and solution. Let us make a better world for our industry!



Contact us

Tel: +86-755-8981 8866 Fax: +86-755-8427 6832

Email & Skype: info@chipsmall.com Web: www.chipsmall.com

Address: A1208, Overseas Decoration Building, #122 Zhenhua RD., Futian, Shenzhen, China

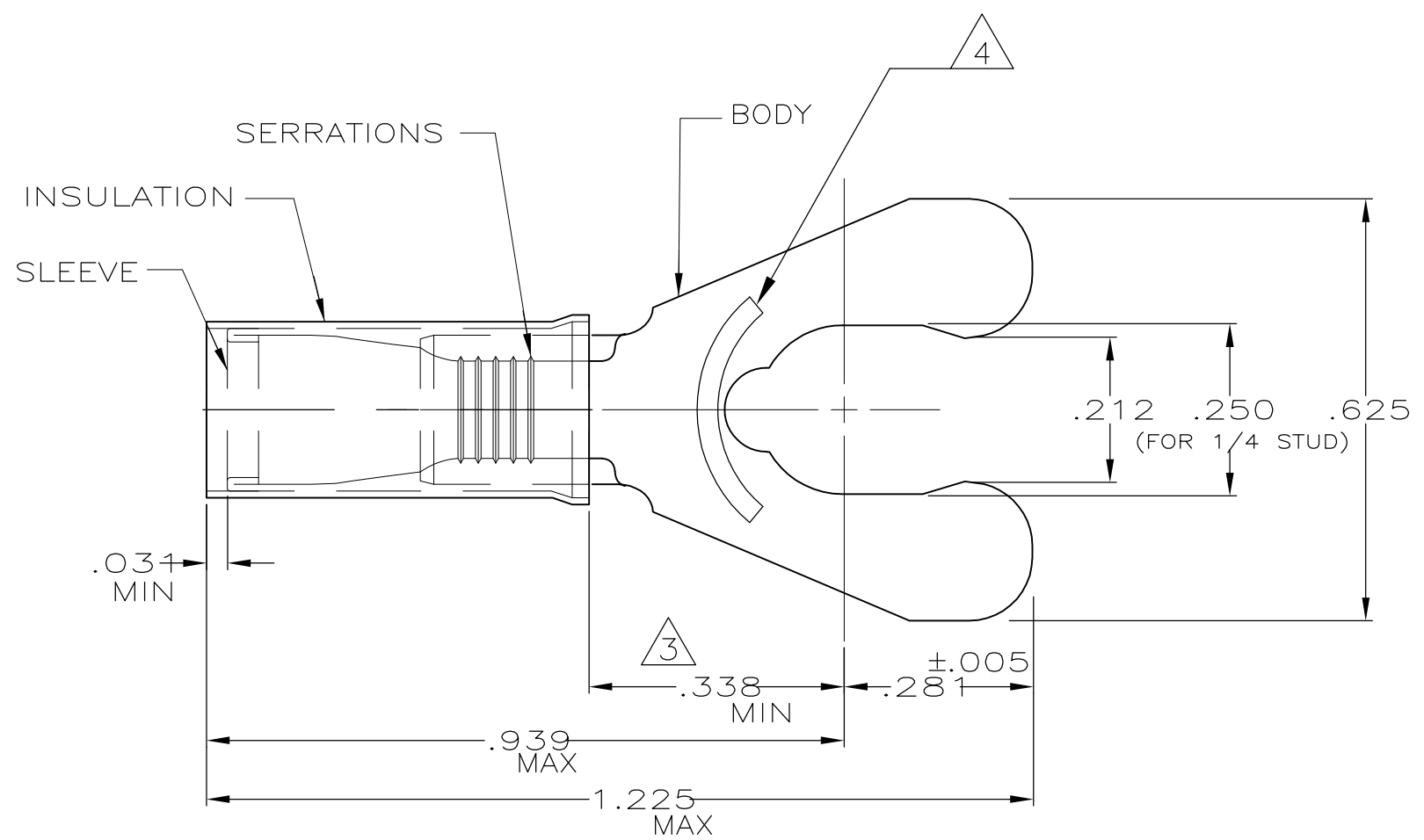


THIS DRAWING IS UNPUBLISHED. RELEASED FOR PUBLICATION
 © COPYRIGHT BY TYCO ELECTRONICS CORPORATION. ALL INTERNATIONAL RIGHTS RESERVED.

LOC	DIST	REVISIONS					
		P	LTR	DESCRIPTION	DATE	DWN	APVD
G	14		J	REV PER ECR 10-005107	08MAR10	JR	TM

AMP WIRE RANGE	Listed	LR7189 Certified
12-10 AWG SOLID OR STRANDED	12-10 AWG SOLID OR STRANDED	12-10 AWG SOLID OR STRANDED

- 1 FOR WIRE INSULATION DIA OF .150 TO .250.
- 2 TONGUE MATERIAL THK IS .040±.002
- △3 DIMENSION APPLIES FROM EDGE OF METAL WIRE BARREL TO CENTER OF STUD HOLE.
- △4 STAMP " ¼ S AMP 12-10 ", LOCATED APPROX AS SHOWN.
- △5 PRELIMINARY - NOT FOR PRODUCTION



50	LOOSE PIECE BOX	8-52945-2	INSULATION: NYLON, COLOR: YELLOW SLEEVE: COPPER PER ASTM B-152 BODY: PHOS. BRONZE PER ASTM B-103 TIN PLATE PER ASTM B-545
1000	ON TAPE REEL	52945-1 △5	
500	WIRE TERMINAL	52945	
QTY	DESCRIPTION	PART NO.	MATERIAL & FINISH

THIS DRAWING IS A CONTROLLED DOCUMENT.		DWN JR RUTH 25OCT01	Tyco Electronics Corporation Harrisburg, PA 17105-3608	
DIMENSIONS: INCHES		CHK MS FEHER 25OCT01		
TOLERANCES UNLESS OTHERWISE SPECIFIED:		APVD T MICHELUTTI 25OCT01	NAME WIRE TERMINAL, PIDG, SPRING SPADE, (STUB) 12-10 AWG	
0 PLC ± -		PRODUCT SPEC	SIZE	
1 PLC ± -		APPLICATION SPEC	CAGE CODE	
2 PLC ± -		—	DRAWING NO	
3 PLC ± .008		—	RESTRICTED TO	
4 PLC ± -		—	A3 00779 C-52945	
ANGLES ± .5°		WEIGHT	—	
MATERIAL SEE TABLE		FINISH SEE TABLE	CUSTOMER DRAWING	
		SCALE	4:1	
		SHEET	1 OF 1	
		REV	J	