



Chipsmall Limited consists of a professional team with an average of over 10 year of expertise in the distribution of electronic components. Based in Hongkong, we have already established firm and mutual-benefit business relationships with customers from,Europe,America and south Asia,supplying obsolete and hard-to-find components to meet their specific needs.

With the principle of “Quality Parts,Customers Priority,Honest Operation,and Considerate Service”,our business mainly focus on the distribution of electronic components. Line cards we deal with include Microchip,ALPS,ROHM,Xilinx,Pulse,ON,Everlight and Freescale. Main products comprise IC,Modules,Potentiometer,IC Socket,Relay,Connector.Our parts cover such applications as commercial,industrial, and automotives areas.

We are looking forward to setting up business relationship with you and hope to provide you with the best service and solution. Let us make a better world for our industry!



Contact us

Tel: +86-755-8981 8866 Fax: +86-755-8427 6832

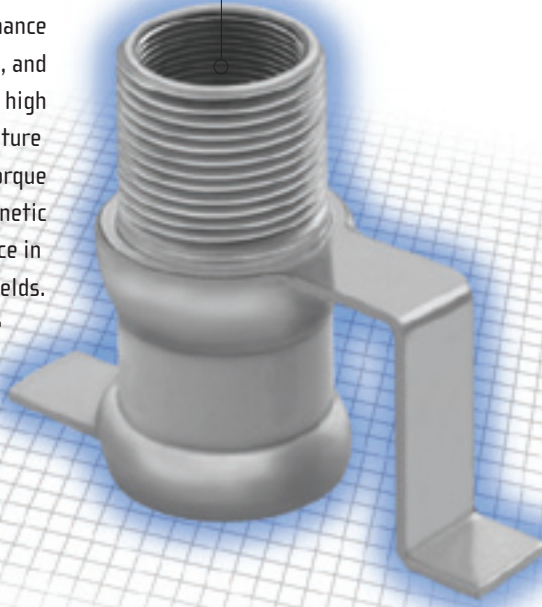
Email & Skype: info@chipsmall.com Web: www.chipsmall.com

Address: A1208, Overseas Decoration Building, #122 Zhenhua RD., Futian, Shenzhen, China



NON-MAGNETIC CAPACITORS

Non-magnetic Capacitors are specifically designed for low magnetic signature applications such as Magnetic Resonance Imaging, Nuclear Magnetic Resonance, and other medical applications. These high stability Non-magnetic Capacitors feature the one piece self locking constant torque mechanism along with special non-magnetic construction for superior performance in very high strength magnetic fields. Non-magnetic Capacitors are available in multi-turn and single turn styles and various configurations.



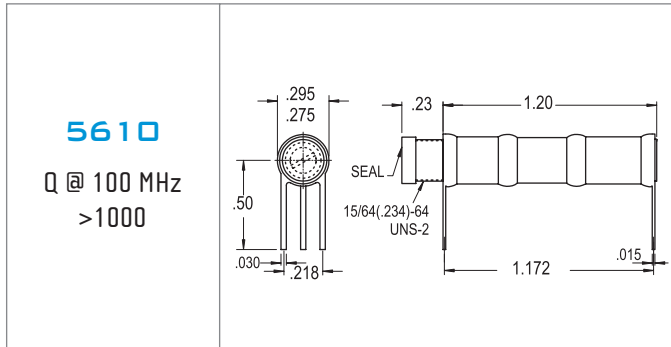
CHARACTERISTICS

- Working Voltage: From 250 VDC to 5000 VDC
- Long Rotational life
- Insulation Resistance: > 10⁶ MΩ
- Temperature range: -65°C to +125°C
- RoHS Compliant

WORKING VOLTAGE	CAPACITANCE RANGE	SERIES	Q	PAGE
5000 VDC	1 TO 7.5 pF	5610	> 1000 @100MHz	2
1250 VDC	1.5 TO 10 pF	52H	> 1400 @195MHz	2
1000 VDC	1.5 TO 19 pF	55H	> 1000 @175MHz	2
	1 TO 25 pF	59H	> 1000 @175MHz	2,3
	2 TO 30 pF	56H	> 1000 @175MHz	3
250 VDC	.4 TO 3.5 pF	5860	> 10000 @100MHz	3
	.6 TO 6.0 pF	5760	> 10000 @100MHz	3,4
	.8 TO 10 pF	5240	> 4000 @100MHz	4
	1 TO 30 pF	5640	> 800 @100MHz	4
250 VDC (90° TO 180° RESOLUTION)	UP TO 50 pF	THIN-TRIM	SEE DATASHEET	THIN-TRIM
	UP TO 22 pF	CERA-TRIM	SEE DATASHEET	CERA-TRIM
	UP TO 50 pF	SEAL-TRIM	SEE DATASHEET	SEAL-TRIM

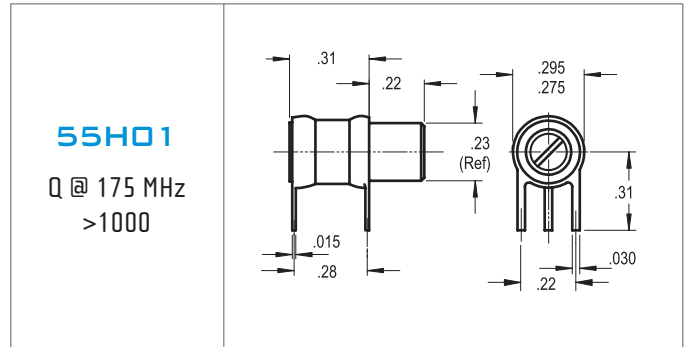
5000 VDC - 1 TO 7.5 pF

- Capacitance Range: 1 to 7.5 pF (>26 turns)
- Working Voltage: 5000 VDC (9000 VDC Test)
- Torque: 1 to 5.0 oz. In.
- Tuning Tool: 8764
- Gold, Silver, Chromate Finish
- RoHS Compliant



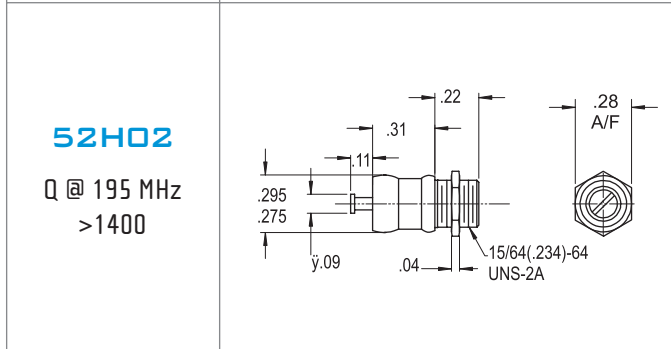
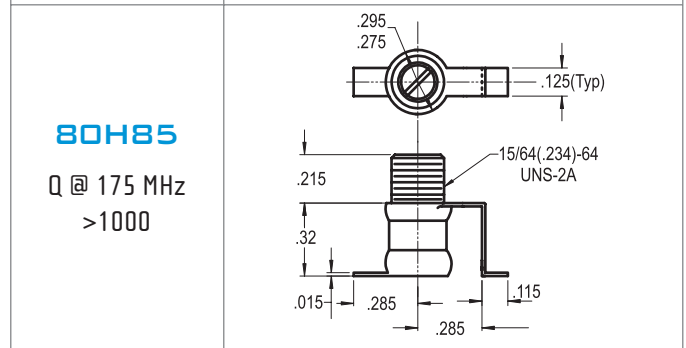
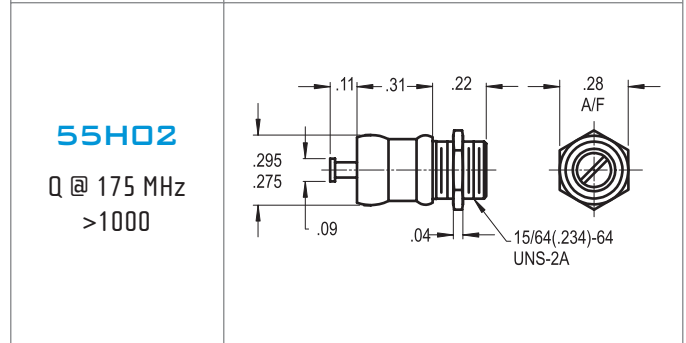
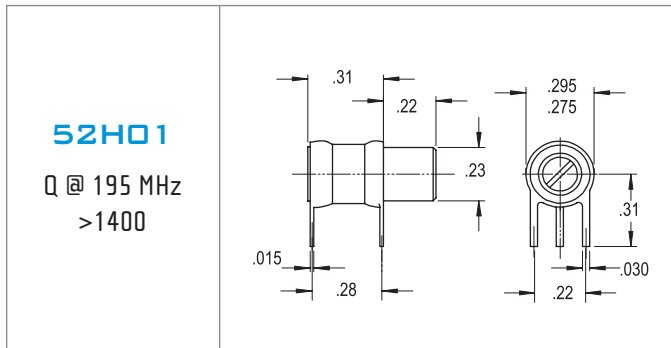
1000 VDC - 1 TO 19 pF

- Capacitance Range: 1.5 to 19 pF (>18 turns)
- Working Voltage: 1000 VDC (2000 VDC Test)
- Torque: 1 to 5.0 oz. In.
- Tuning Tool: 8764
- Gold, Silver, Chromate Finish
- RoHS Compliant



1250 VDC - 1 TO 10 pF

- Capacitance Range: 1.5 to 10 pF (>18 turns)
- Working Voltage: 1250 VDC (2500 VDC Test)
- Torque: 1 to 5.0 oz. In.
- Tuning Tool: 8764
- Gold, Silver, Chromate Finish
- RoHS Compliant



1000 VDC - 1 TO 25 pF

- Capacitance Range: 1 to 25 pF (>23 turns)
- Working Voltage: 1000 VDC (2000 VDC Test)
- Torque: 1 to 5.0 oz. In.
- Tuning Tool: 8764
- Gold, Silver, Chromate Finish
- RoHS Compliant

1000 VDC - 1 TO 25 pF

<p>59H01</p> <p>Q @ 175 MHz >1000</p>	
<p>59H18</p> <p>Q @ 175 MHz >1000</p>	

1000 VDC - 2 TO 30 pF

- Capacitance Range: 2 to 30 pF (>25 turns)
- Working Voltage: 1000 VDC (2000 VDC Test)
- Torque: 1 to 5.0 oz. In.
- Tuning Tool: 8764
- Gold, Silver, Chromate Finish
- RoHS Compliant

<p>56H01</p> <p>Q @ 175 MHz >1000</p>	
<p>56H02</p> <p>Q @ 175 MHz >1000</p>	

250 VDC - 0.4 TO 3.5 pF

- Capacitance Range: .4 to 3.5 pF (>9 turns)
- Working Voltage: 250 VDC (500 VDC Test)
- Torque: .3 to 3.0 oz. In.
- Tuning Tool: 8766
- Gold, Silver, Chromate Finish
- RoHS Compliant

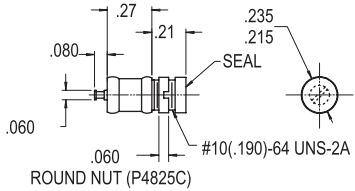
<p>5862</p> <p>Q @ 100 MHz >10000</p>	
---	--

250 VDC - 0.6 TO 6.0 pF

- Capacitance Range: .6 to 6 pF (>8 turns)
- Working Voltage: 250 VDC (500 VDC Test)
- Torque: .4 to 4.0 oz. In.
- Tuning Tool: 8764
- Gold, Silver, Chromate Finish
- RoHS Compliant

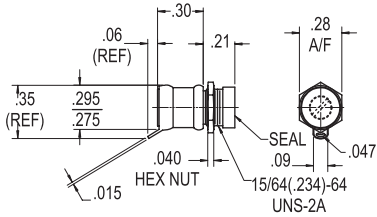
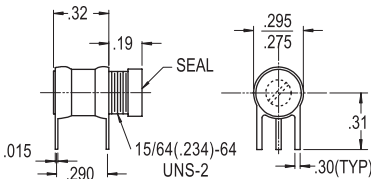
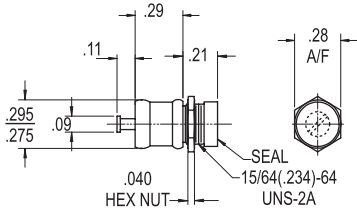
<p>5760</p> <p>Q @ 100 MHz >10000</p>	
<p>5761</p> <p>Q @ 100 MHz >10000</p>	

250 VDC - 0.6 TO 6 PF

<p>5762</p> <p>Q @ 100 MHz >10000</p>	
---	---

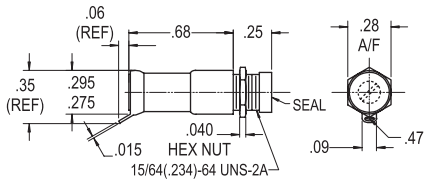
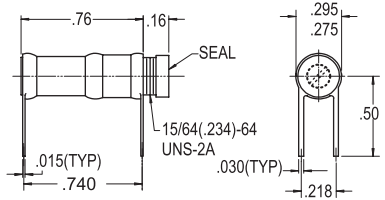
250 VDC - 0.8 TO 10 PF

- Capacitance Range: .8 to 10 pF (>6 turns)
- Working Voltage: 250 VDC (500 VDC Test)
- Torque: 1 to 5.0 oz. In.
- Tuning Tool: 8764
- Gold, Silver, Chromate Finish
- RoHS Compliant

<p>5240</p> <p>Q @ 100 MHz >4000</p>	
<p>5241</p> <p>Q @ 100 MHz >4000</p>	
<p>5242</p> <p>Q @ 100 MHz >4000</p>	

250 VDC - 1 TO 30 PF

- Capacitance Range: 1 to 30 pF (>23 turns)
- Working Voltage: 250 VDC (500 VDC Test)
- Torque: 1 to 5.0 oz. In.
- Tuning Tool: 8764
- Gold, Silver, Chromate Finish
- RoHS Compliant

<p>5640</p> <p>Q @ 100 MHz >800</p>	
<p>5641</p> <p>Q @ 100 MHz >800</p>	
<p>5642</p> <p>Q @ 100 MHz >800</p>	