



Chipsmall Limited consists of a professional team with an average of over 10 year of expertise in the distribution of electronic components. Based in Hongkong, we have already established firm and mutual-benefit business relationships with customers from,Europe,America and south Asia,supplying obsolete and hard-to-find components to meet their specific needs.

With the principle of “Quality Parts,Customers Priority,Honest Operation,and Considerate Service”,our business mainly focus on the distribution of electronic components. Line cards we deal with include Microchip,ALPS,ROHM,Xilinx,Pulse,ON,Everlight and Freescale. Main products comprise IC,Modules,Potentiometer,IC Socket,Relay,Connector.Our parts cover such applications as commercial,industrial, and automotives areas.

We are looking forward to setting up business relationship with you and hope to provide you with the best service and solution. Let us make a better world for our industry!



Contact us

Tel: +86-755-8981 8866 Fax: +86-755-8427 6832

Email & Skype: info@chipsmall.com Web: www.chipsmall.com

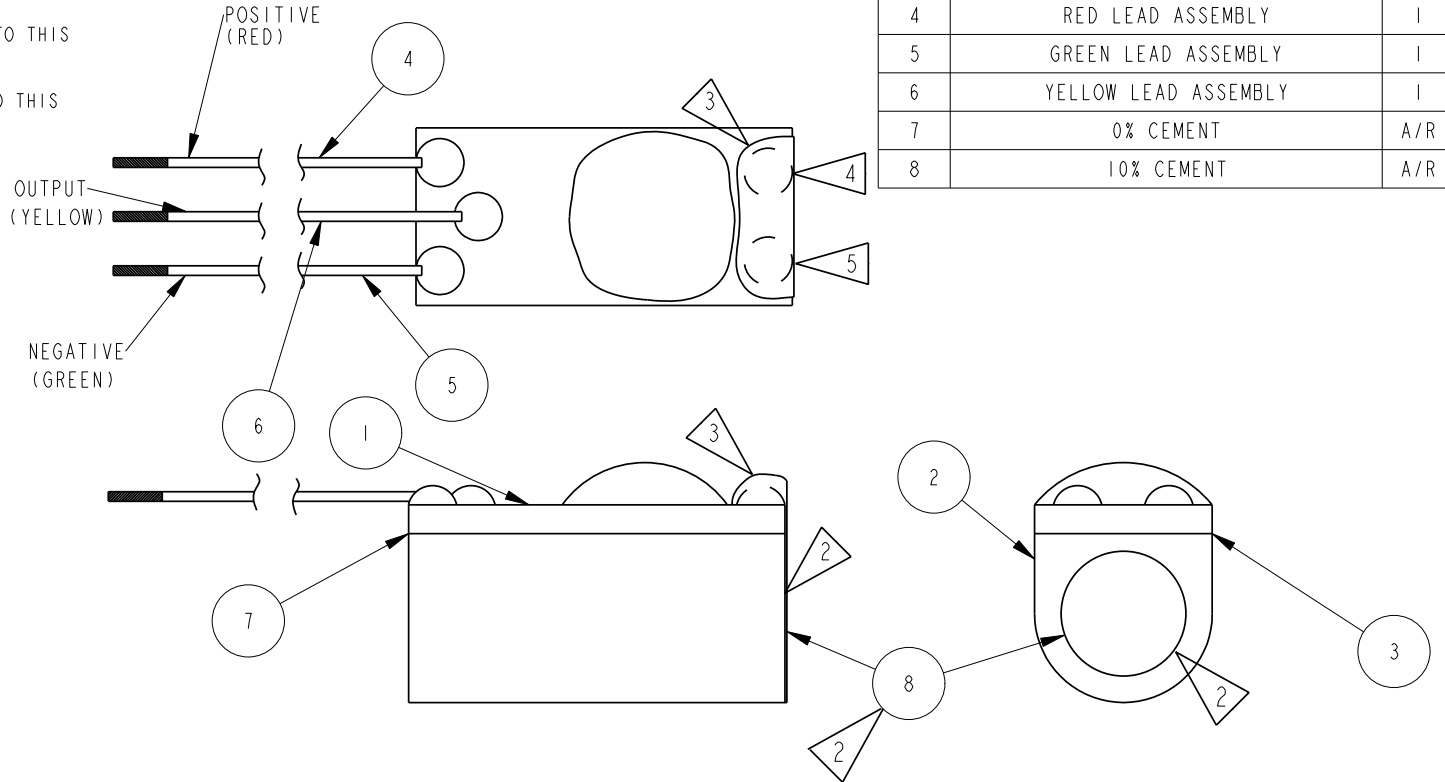
Address: A1208, Overseas Decoration Building, #122 Zhenhua RD., Futian, Shenzhen, China



NOTES:

1. SOLDER MATERIALS SHALL NOT CONTAIN LEAD. MUST BE RoHS COMPLIANT.
2. COMPLETELY SEAL OPENING IN END OF SLEEVE AND AROUND END OF COIL WITH ITEM 8.
3. COMPLETELY COVER TELECOIL WIRES WITH ITEM 8.
4. TELECOIL "FINISH" WIRE CONNECTED TO THIS PAD ON HYBRID CIRCUIT.
5. TELECOIL "START" WIRE CONNECTED TO THIS PAD ON HYBRID CIRCUIT.

BILL OF MATERIAL		
ITEM	DESCRIPTION	QTY
1	CIRCUIT ASSEMBLY	1
2	TELECOIL COIL & SLEEVE ASSEMBLY	1
3	8% CEMENT	A/R
4	RED LEAD ASSEMBLY	1
5	GREEN LEAD ASSEMBLY	1
6	YELLOW LEAD ASSEMBLY	1
7	0% CEMENT	A/R
8	10% CEMENT	A/R



RED CONTROLLED

				SCALE: 10:1		MATERIAL:	
				FUNDAMENTAL TOLERANCE: ± 0.03 [0.001]	HEAT TREATMENT:		
				ANGLE TOLERANCE: ± 1°	FINISH:		
				MISMATCH TOLERANCE: ± 0.03 [0.001]	TITLE:		
				DESIGNED: 01/26/06	NAME: BCS	ACTIVE TELECOIL ASSEMBLY	
				CHECKED: 01/26/06	NAME: BCS		
				RELEASED: 01/26/06	NAME: BCS		
REV.	CHANGE #	DATE	NAME				
A	C10103847	01/26/06	BCS				

PROPRIETARY NOTE: THIS DOCUMENT CONTAINS INFORMATION WHICH IS THE PROPRIETARY PROPERTY OF KNOWLES ELECTRONICS, LLC. OR ITS AFFILIATED ENTITIES. IT IS ISSUED IN STRICT CONFIDENCE AND SHALL NOT BE REPRODUCED, COPIED, USED, OR DISCLOSED TO ANY THIRD PARTY PARTIALLY OR WHOLLY IN ANY MANNER WITHOUT PRIOR WRITTEN PERMISSION OF, AND MUST BE RETURNED UPON REQUEST BY, KNOWLES ELECTRONICS, LLC.



RELEASED LEVEL: Active	REVISION: A
DRAWING NUMBER: 5300-253069	SHEETS: 1 of 1