



Chipsmall Limited consists of a professional team with an average of over 10 year of expertise in the distribution of electronic components. Based in Hongkong, we have already established firm and mutual-benefit business relationships with customers from,Europe,America and south Asia,supplying obsolete and hard-to-find components to meet their specific needs.

With the principle of “Quality Parts,Customers Priority,Honest Operation,and Considerate Service”,our business mainly focus on the distribution of electronic components. Line cards we deal with include Microchip,ALPS,ROHM,Xilinx,Pulse,ON,Everlight and Freescale. Main products comprise IC,Modules,Potentiometer,IC Socket,Relay,Connector.Our parts cover such applications as commercial,industrial, and automotives areas.

We are looking forward to setting up business relationship with you and hope to provide you with the best service and solution. Let us make a better world for our industry!



## Contact us

Tel: +86-755-8981 8866 Fax: +86-755-8427 6832

Email & Skype: info@chipsmall.com Web: www.chipsmall.com

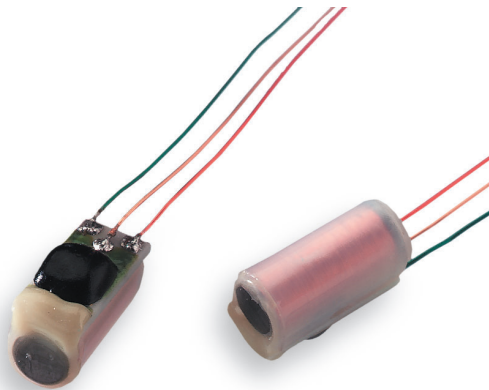
Address: A1208, Overseas Decoration Building, #122 Zhenhua RD., Futian, Shenzhen, China



# model 5300

## ACTIVE TELECOIL

technical datasheet



### > features <

- RFI Suppression (Radio Frequency Interference)
- Integrated preamplifier
- ESD protection
- Plastic sleeve to protect coil
- Optional sleeveless version
- Insulated leads

### > specifications <

#### Mechanical Data

Length .....	5.33 mm (max.)
Width .....	2.54 mm (max.)
Height .....	3.32 mm (max.)

#### Electrical Data

Parameter	Min.	Typ.	Max.	Units
Current		70	100	μA
Output Voltage	350	580	800	mVDC
Output Impedance@1 kHz		4000		Ω
Magnetic Sensitivity				
200 Hz	-68.0	-65.0	-62.0	dB re 1V
1000 Hz	-54.5	-52.5	-50.5	dB re 1V
5000 Hz	-49.0	-47.0	-45.0	dB re 1V
Peak Output Swing	±38			mV

Test Conditions for electrical data:

Supply Voltage .....	1.30 VDC
Temperature .....	25°C
Magnetic Field .....	1 A/m
Major Axis .....	Parallel to magnetic field

#### Environmental Data

Operating Temperature .....	-10°C to 40°C
Storage Temperature .....	-20°C to 70°C

#### Maximum Ratings

Supply Voltage .....	5 VDC (min. 1.1 VDC)
Power Dissipation .....	25 mW

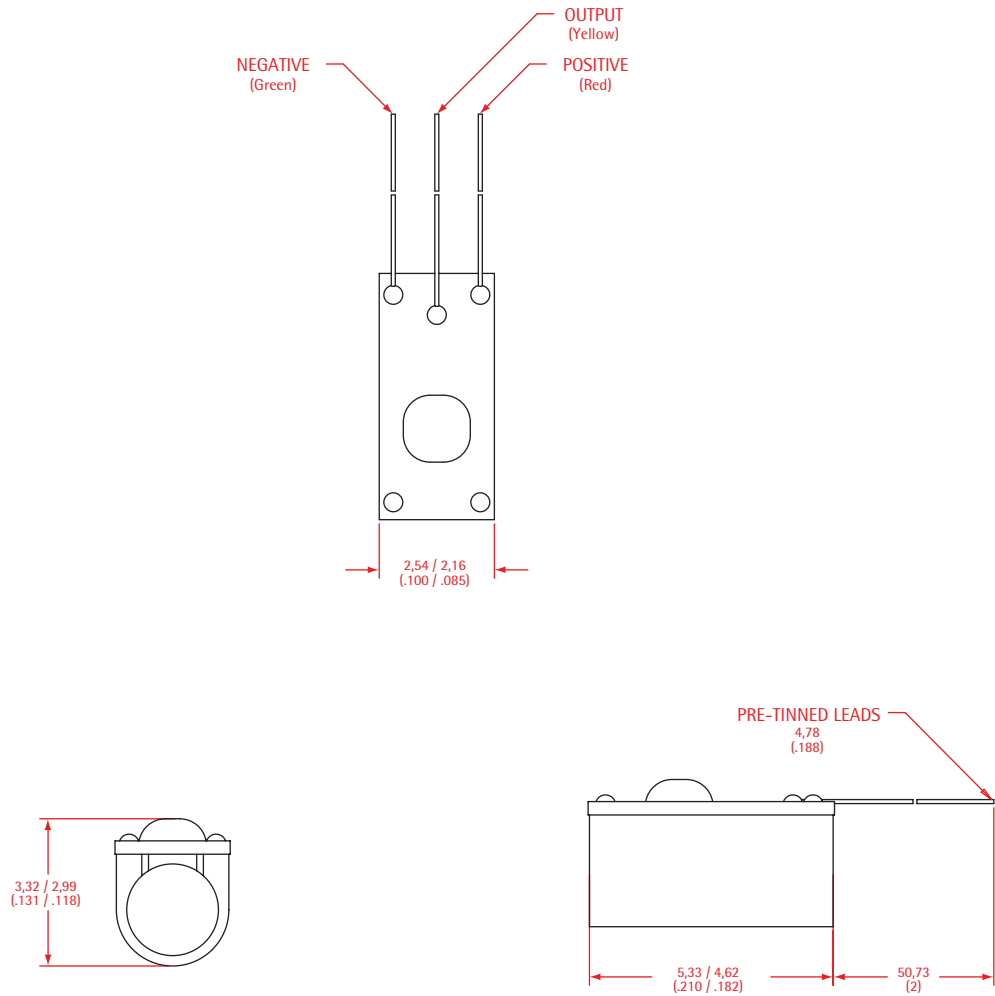
#### Construction

Leads .....	36 AWG solid insulated
Coil Sheath .....	Plastic

Specifications subject to change.

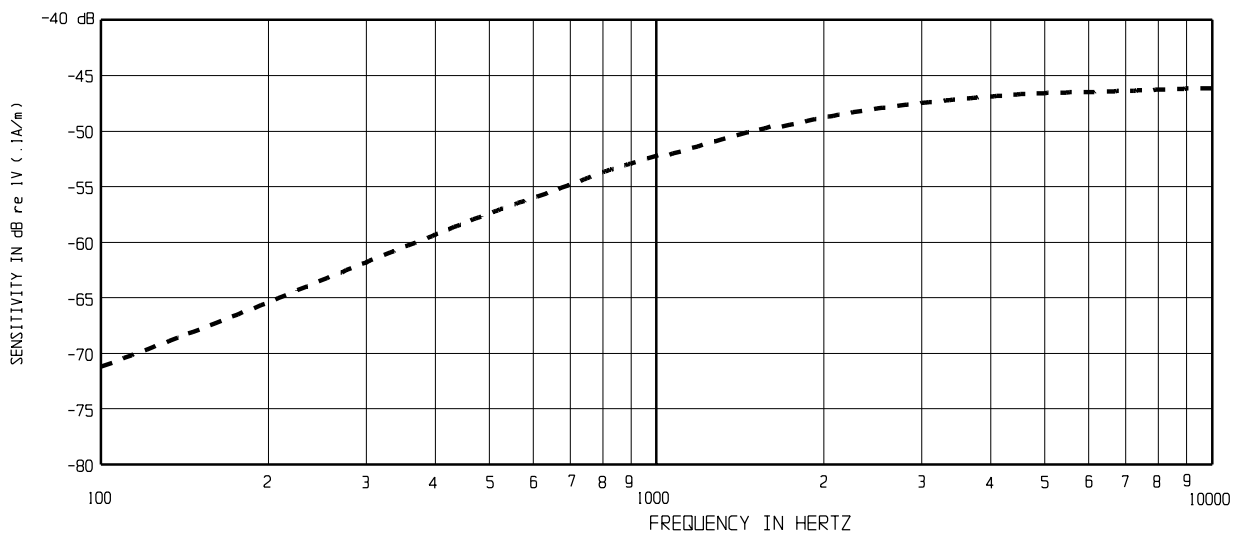
## dimensions (sleeved version)

Dimensions shown  
in millimeters (inches  
in parentheses).





## normal responsive curve



## > ordering <

How to order— Specify part number 5300-153069 for sleeved and 5300-153081 for sleeveless. Customized Model 5300 active telecoil products are available, subject to minimum order requirements, contact your Knowles sales representative for a quote.