



Chipsmall Limited consists of a professional team with an average of over 10 year of expertise in the distribution of electronic components. Based in Hongkong, we have already established firm and mutual-benefit business relationships with customers from,Europe,America and south Asia,supplying obsolete and hard-to-find components to meet their specific needs.

With the principle of “Quality Parts,Customers Priority,Honest Operation,and Considerate Service”,our business mainly focus on the distribution of electronic components. Line cards we deal with include Microchip,ALPS,ROHM,Xilinx,Pulse,ON,Everlight and Freescale. Main products comprise IC,Modules,Potentiometer,IC Socket,Relay,Connector.Our parts cover such applications as commercial,industrial, and automotives areas.

We are looking forward to setting up business relationship with you and hope to provide you with the best service and solution. Let us make a better world for our industry!



Contact us

Tel: +86-755-8981 8866 Fax: +86-755-8427 6832

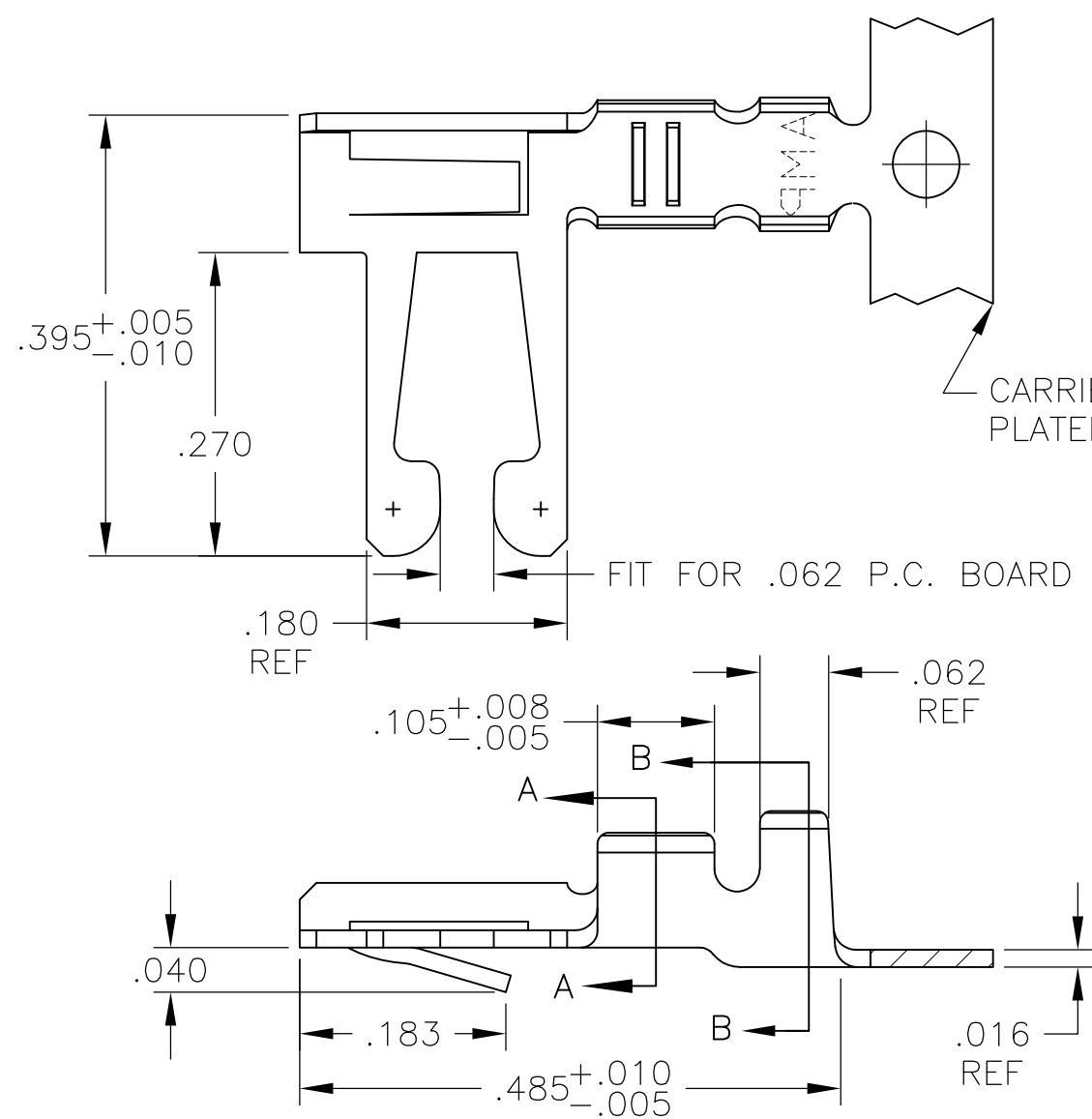
Email & Skype: info@chipsmall.com Web: www.chipsmall.com

Address: A1208, Overseas Decoration Building, #122 Zhenhua RD., Futian, Shenzhen, China

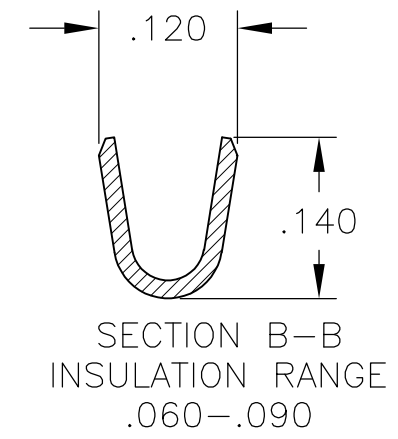
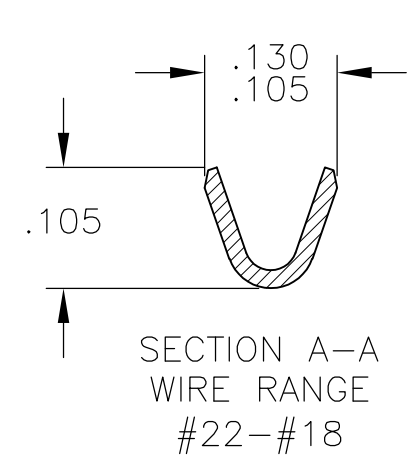


THIS DRAWING IS UNPUBLISHED. RELEASED FOR PUBLICATION
 © COPYRIGHT - BY TYCO ELECTRONICS CORPORATION. ALL RIGHTS RESERVED.

LOC	DIST	REVISIONS			
P	LTR	DESCRIPTION	DATE	DWN	APVD
AD	00	H	ECO 05 006319	22MAY06	BSV MK
		H1	REV PER ECO-09-021510	10SEP09	KK AEG



- REFER TO CUSTOMER 582370 SERIES AND CUSTOMER 582380 SERIES FOR HOUSING AND P.C. BOARD REQUIREMENTS
- $\triangle 2$.000015 GOLD OVER .000050 NICKEL IN CONTACT AREA. REMAINDER OF CONTACT .000050 NICKEL.
- $\triangle 3$.000030 GOLD OVER .000050 NICKEL IN CONTACT AREA. .000050 NICKEL ON REMAINDER OF CONTACT.
- $\triangle 4$ L-R FEED FOR MINI-APPL.
- $\triangle 5$ OBSOLETE PARTS: OBSOLETE CIS STREAMLINING PER D.RENAUD/D.SINISI



$\triangle 5$	OBSOLETE	MATTE TIN	$\triangle 4$	5-530006-5
		MATTE TIN	$\triangle 4$	5-530006-2
		$\triangle 2$	$\triangle 4$	530006-7
$\triangle 5$	OBSOLETE	$\triangle 3$	$\triangle 4$	530006-6
		TIN PLATE	$\triangle 4$	530006-5
		$\triangle 2$		530006-4
	OBSOLETE	$\triangle 3$		530006-3
		TIN PLATE		530006-2
		FINISH		PART NUMBER

THIS DRAWING IS A CONTROLLED DOCUMENT.		DWN M.BINNER 29MAR01	Tyco Electronics Corporation Harrisburg, Pa 17105-3608		
DIMENSIONS: INCHES	TOLERANCES UNLESS OTHERWISE SPECIFIED:	CHK M.MILLER 05APR01	NAME CONTACT, 22-18 AWG, DUO-TYNE FLAG WITH TAPERED BEAMS		
	0 PLC $\pm -$	APVD M.MILLER 05APR01	PRODUCT SPEC	SIZE	CAGE CODE
	1 PLC $\pm -$		APPLICATION SPEC	DRAWING NO	RESTRICTED TO
	2 PLC $\pm -$			A3	00779
	3 PLC $\pm .005$			C-530006	
	4 PLC $\pm .0005$				
	ANGLES $\pm -$				
MATERIAL BERYLLIUM COPPER	FINISH SEE TABLE	WEIGHT -	SCALE 6:1 SHEET 1 OF 1 REV H1		
CUSTOMER DRAWING					