



Chipsmall Limited consists of a professional team with an average of over 10 year of expertise in the distribution of electronic components. Based in Hongkong, we have already established firm and mutual-benefit business relationships with customers from,Europe,America and south Asia,supplying obsolete and hard-to-find components to meet their specific needs.

With the principle of “Quality Parts,Customers Priority,Honest Operation,and Considerate Service”,our business mainly focus on the distribution of electronic components. Line cards we deal with include Microchip,ALPS,ROHM,Xilinx,Pulse,ON,Everlight and Freescale. Main products comprise IC,Modules,Potentiometer,IC Socket,Relay,Connector.Our parts cover such applications as commercial,industrial, and automotives areas.

We are looking forward to setting up business relationship with you and hope to provide you with the best service and solution. Let us make a better world for our industry!



Contact us

Tel: +86-755-8981 8866 Fax: +86-755-8427 6832

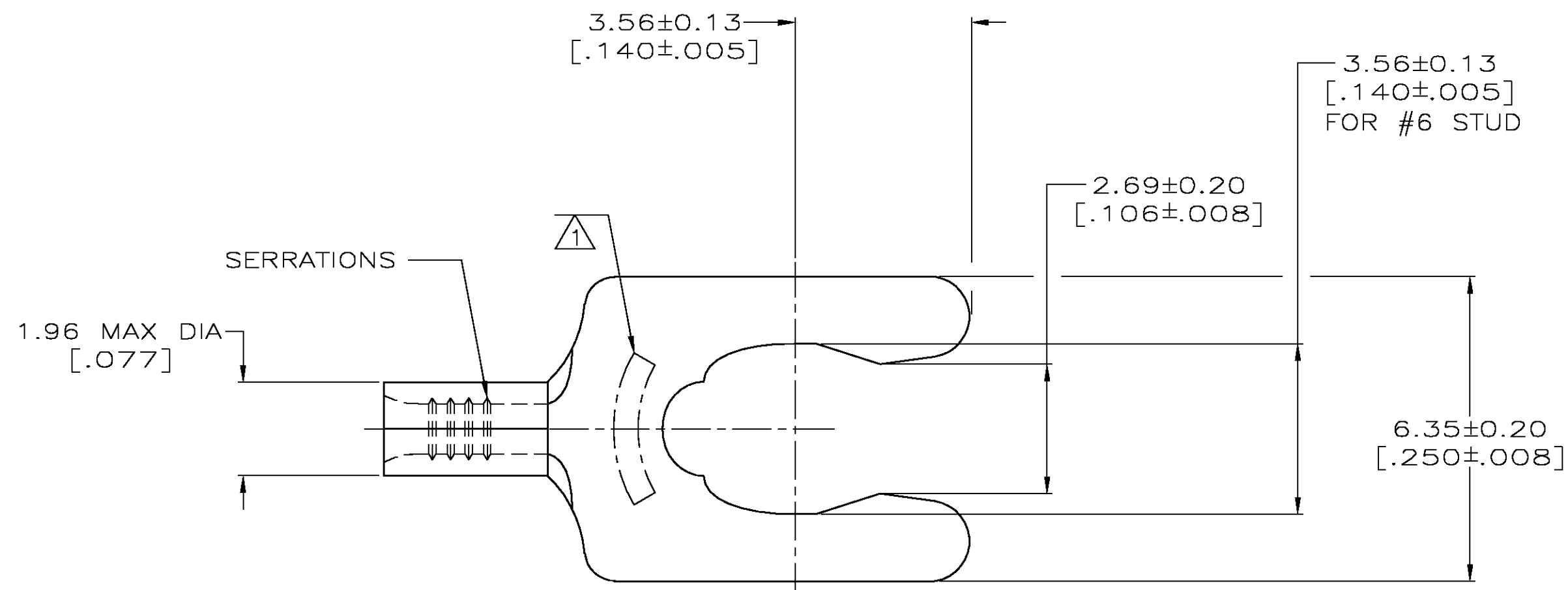
Email & Skype: info@chipsmall.com Web: www.chipsmall.com

Address: A1208, Overseas Decoration Building, #122 Zhenhua RD., Futian, Shenzhen, China



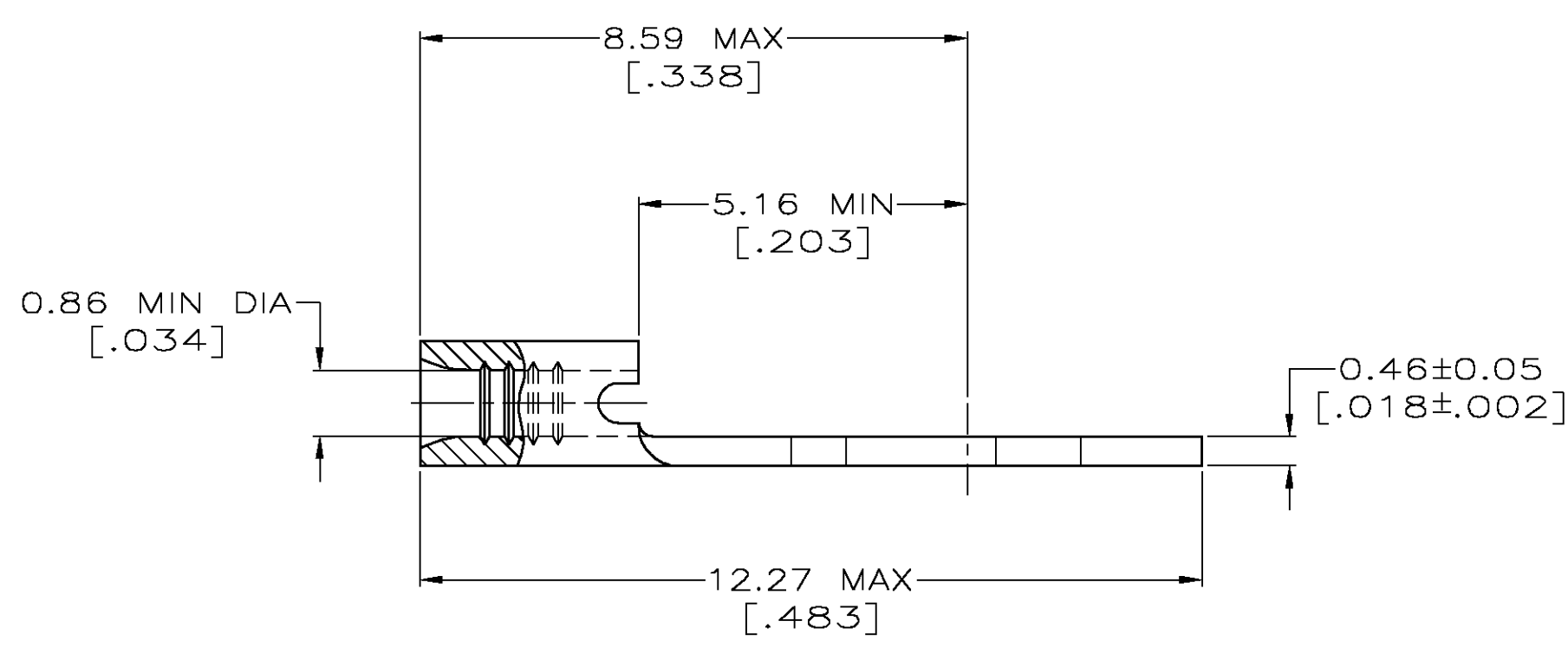
LOC	DIST	P	F	ZONE	LTR	DESCRIPTION	DATE	APPD
G	14					0 DRAWN PER 0G3A-0027-03	23JAN03	JF DAP

METRIC
 DIMENSIONS LISTED IN mm [INCHES]



AMP WIRE RANGE	E13288 Listed
26-22 AWG STRANDED	NOT LISTED
LR7189 Certified	MILITARY P/N AND CLASS
NOT CERTIFIED	NOT APPLICABLE

- △1 STAMP 6S AMP APPROX AS SHOWN
6S INDICATES STUD SIZE
- △2 PRELIMINARY - NOT FOR PRODUCTION



<p>AMP INCORPORATED CUSTOMER SERVICE SYSTEMS</p>		<p>MAX RECOMMENDED OPERATING TEMPERATURE: 170° C MAX</p>	<p>DO NOT SCALE PRINT. UNLESS SPECIFIED DIMENSIONS IN mm [INCHES] - TOLERANCES ON : 2 PLC DEC ± - 3 PLC DEC ± - ANGLES ± -</p>	<p>DR 23JAN03 JR RUTH</p>	<p>YES</p>	<p>△2 53003-4</p>
<p>FOR ADDITIONAL PRODUCT INFORMATION OR COPIES OF DRAWINGS AND TECHNICAL DOCUMENTS</p>	<p>PRODUCT INFORMATION CENTER 1-800-522-6752</p>	<p>VOLTAGE RATING: NOT APPLICABLE</p>	<p>MATERIAL PHOSPHOR BRONZE PER ASTM B-103 ANNEALED</p>	<p>CHK 2-10-93 DA PATTERSON</p>	<p>-</p>	<p>53003-1</p>
<p>FOR APPLICATION TOOLING INFORMATION</p>	<p>TOOLING ASSISTANCE CENTER 1-800-722-1111</p>	<p>WIRE CROSS SECTIONAL AREA RANGE: 0.1-0.41mm² [202-810] CIR MILS STRANDED</p>	<p>FINISH TIN PLATE 0.00254 [.000100] MIN THK PER ASTM B545</p>	<p>APPD 2-10-93 DE MILLER</p>	<p>HEAT TREAT</p>	<p>PART NO</p>
<p>FOR ORDER ENTRY</p>	<p>1-800-526-5142</p>	<p>THIS DRAWING IS A CONTROLLED DOCUMENT FOR AMP INCORPORATED. IT IS SUBJECT TO CHANGE AND THE CONTROLLING ENGINEERING ORGANIZATION SHOULD BE CONTACTED FOR THE LATEST REVISION.</p>	<p>PHOSPHOR BRONZE PER ASTM B-103 ANNEALED</p>	<p>APPD 2-10-93 JL MECKLEY</p>	<p>AMP Incorporated Harrisburg, PA 17105-3608</p>	<p>NAME</p>
				<p>APPLICATION SPEC</p>	<p>SIZE</p>	<p>CAGE CODE</p>
				<p>WEIGHT</p>	<p>③ 00779</p>	<p>DRAWING NO</p>
				<p>SCALE 10:1</p>	<p>③ = 53003</p>	<p>SHEET</p>
					<p>10F 1</p>	