



Chipsmall Limited consists of a professional team with an average of over 10 year of expertise in the distribution of electronic components. Based in Hongkong, we have already established firm and mutual-benefit business relationships with customers from,Europe,America and south Asia,supplying obsolete and hard-to-find components to meet their specific needs.

With the principle of “Quality Parts,Customers Priority,Honest Operation,and Considerate Service”,our business mainly focus on the distribution of electronic components. Line cards we deal with include Microchip,ALPS,ROHM,Xilinx,Pulse,ON,Everlight and Freescale. Main products comprise IC,Modules,Potentiometer,IC Socket,Relay,Connector.Our parts cover such applications as commercial,industrial, and automotives areas.

We are looking forward to setting up business relationship with you and hope to provide you with the best service and solution. Let us make a better world for our industry!



## Contact us

Tel: +86-755-8981 8866 Fax: +86-755-8427 6832

Email & Skype: info@chipsmall.com Web: www.chipsmall.com

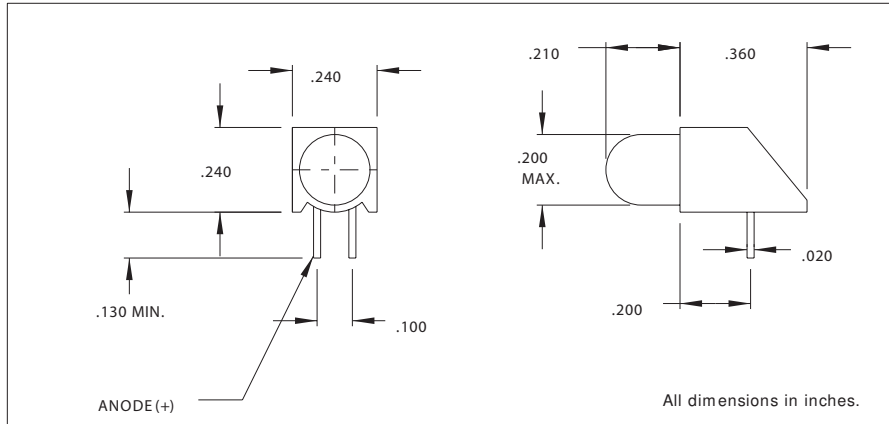
Address: A1208, Overseas Decoration Building, #122 Zhenhua RD., Futian, Shenzhen, China





**5300 Series T-1 3/4 Right Angle Flashing LED Assembly**

**DESCRIPTION AND FEATURES**



**Features**

- Built-in flashing circuit.
- No external resistor required.
- Block mounting height and spacing alignment saves assembly cost and time.
- Standoffs prevent flux entrapment.

Housing: White Thermoplastic, UL94V-O

Use of incorrect circuit polarity will cause permanent damage to these LEDs.

**ELECTRO-OPTICAL CHARACTERISTICS AND RATINGS**

Part Number	Color	Typ. Intensity (mcd)	Package Type	Forward Voltage Min. (V)	Forward Voltage Typ. (V)	Forward Voltage Max. (V)	Forward Current (mA)	Reverse Break-down Voltage Min. (V)	Peak Wavelength (nm)	Supply Current (mA)	Flash Rate
5300H1FL	Red	80	Diffused	3.5	9-12	13.0	38-56	0.5	625	6-70	2.5-1.5
5300H5FL	Green	32	Diffused	3.5	9-12	13.0	38-56	0.5	565	6-70	2.5-1.5
5300H7FL	Yellow	32	Diffused	3.5	9-12	13.0	38-56	0.5	590	6-70	2.5-1.5