



Chipsmall Limited consists of a professional team with an average of over 10 year of expertise in the distribution of electronic components. Based in Hongkong, we have already established firm and mutual-benefit business relationships with customers from,Europe,America and south Asia,supplying obsolete and hard-to-find components to meet their specific needs.

With the principle of “Quality Parts,Customers Priority,Honest Operation,and Considerate Service”,our business mainly focus on the distribution of electronic components. Line cards we deal with include Microchip,ALPS,ROHM,Xilinx,Pulse,ON,Everlight and Freescale. Main products comprise IC,Modules,Potentiometer,IC Socket,Relay,Connector.Our parts cover such applications as commercial,industrial, and automotives areas.

We are looking forward to setting up business relationship with you and hope to provide you with the best service and solution. Let us make a better world for our industry!



Contact us

Tel: +86-755-8981 8866 Fax: +86-755-8427 6832

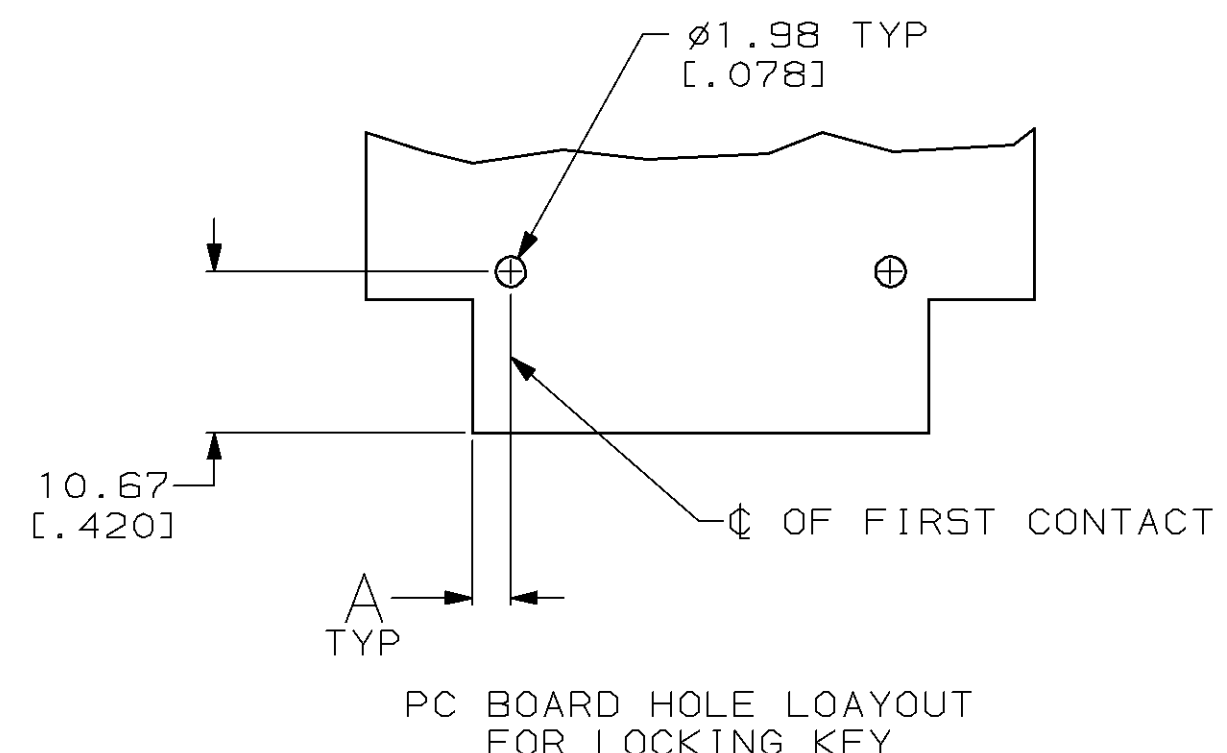
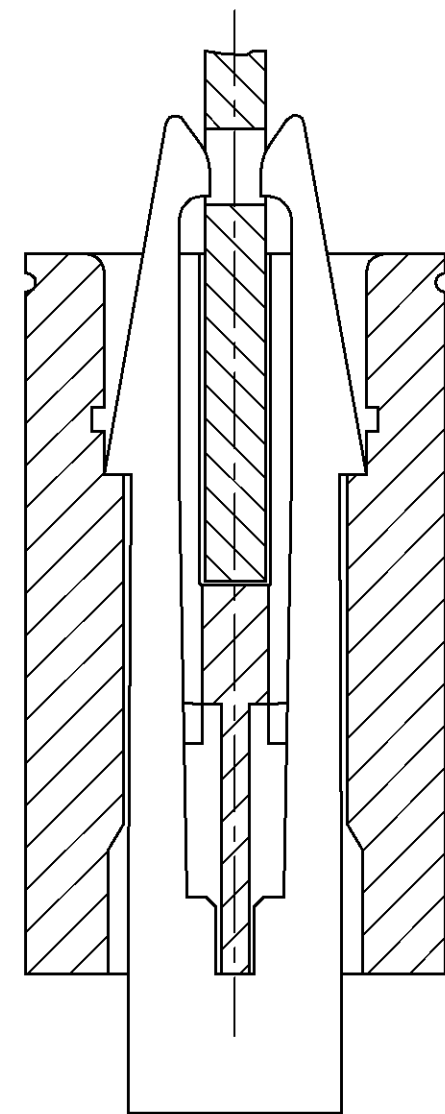
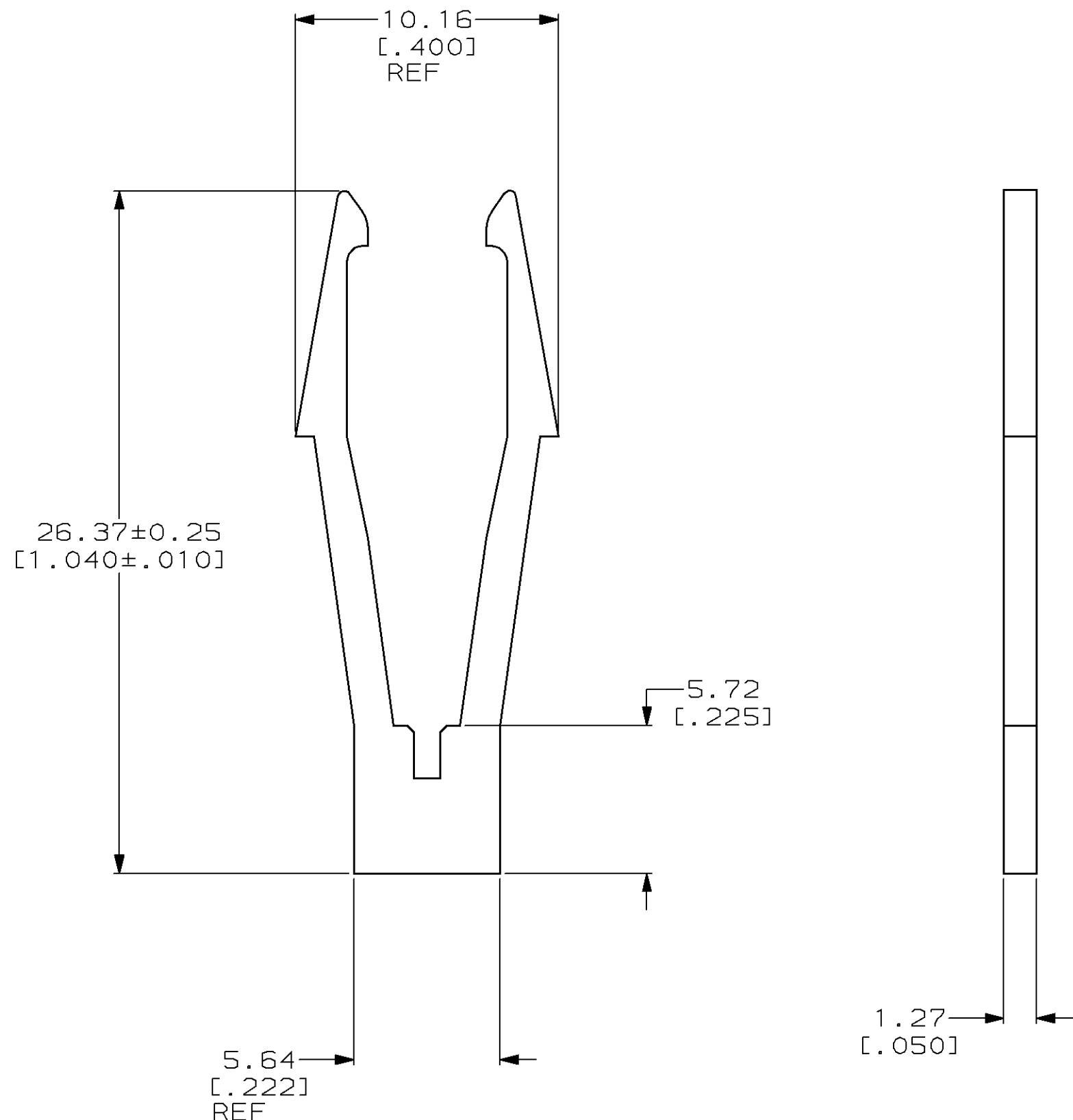
Email & Skype: info@chipsmall.com Web: www.chipsmall.com

Address: A1208, Overseas Decoration Building, #122 Zhenhua RD., Futian, Shenzhen, China



LOC	DIST	P	F	ZONE	LTR	DESCRIPTION	DATE	APPD
FT	22				C	REDRAWN PER 0010-0072-94	2/8/94	HR
					D	REV PER EC 0320-349-97	24 OCT 97	NS

1. FOR USE WITH CRIMP-SNAP TWIN LEAF HOUSING.



.156	.160
.125	.125
.100	.100
⌀	A

530213-1
PART NUMBER

DO NOT SCALE PRINT. UNLESS SPECIFIED DIMENSIONS IN mm [INCHES] TOLERANCES ON : 2 PLC DEC ± - 3 PLC DEC ± .010 ANGLES ± -		DR 8-2-93 A. STAUB BG		AMP Incorporated Harrisburg, PA 17105-3608	
MATERIAL NYLON		CHK 2/8/94 H ROSE			
FINISH -		APPD 2/8/94 M THUMMA		NAME LOCKING KEY CRIMP TWIN LEAF	
-		APPLICATION SPEC -		SIZE C	CAGE CODE 00779
-		WEIGHT -		DRAWING NO G=530213	SCALE 5:1
				SHEET 1 OF 1	

THIS DRAWING IS A CONTROLLED DOCUMENT FOR AMP INCORPORATED. IT IS SUBJECT TO CHANGE AND THE CONTROLLING ENGINEERING ORGANIZATION SHOULD BE CONTACTED FOR THE LATEST REVISION.