



Chipsmall Limited consists of a professional team with an average of over 10 year of expertise in the distribution of electronic components. Based in Hongkong, we have already established firm and mutual-benefit business relationships with customers from,Europe,America and south Asia,supplying obsolete and hard-to-find components to meet their specific needs.

With the principle of "Quality Parts,Customers Priority,Honest Operation,and Considerate Service",our business mainly focus on the distribution of electronic components. Line cards we deal with include Microchip,ALPS,ROHM,Xilinx,Pulse,ON,Everlight and Freescale. Main products comprise IC,Modules,Potentiometer,IC Socket,Relay,Connector.Our parts cover such applications as commercial,industrial, and automotives areas.

We are looking forward to setting up business relationship with you and hope to provide you with the best service and solution. Let us make a better world for our industry!



## Contact us

Tel: +86-755-8981 8866 Fax: +86-755-8427 6832

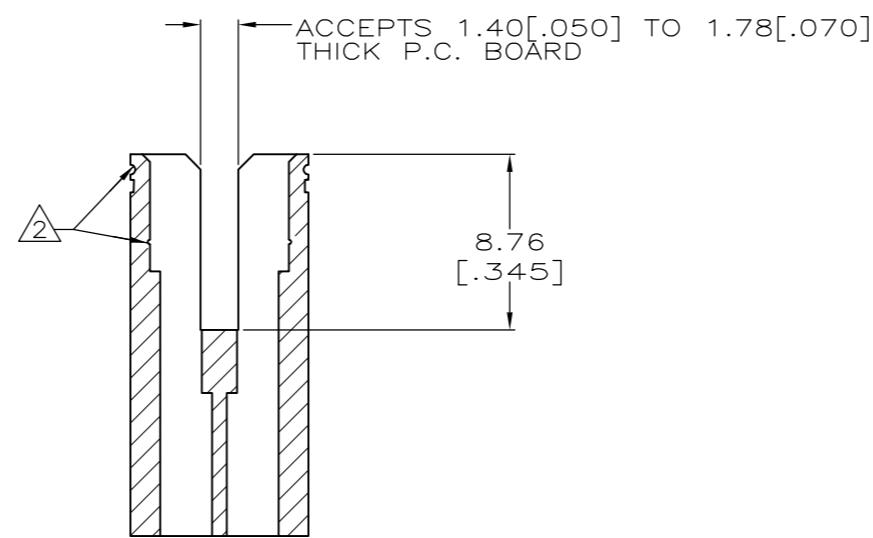
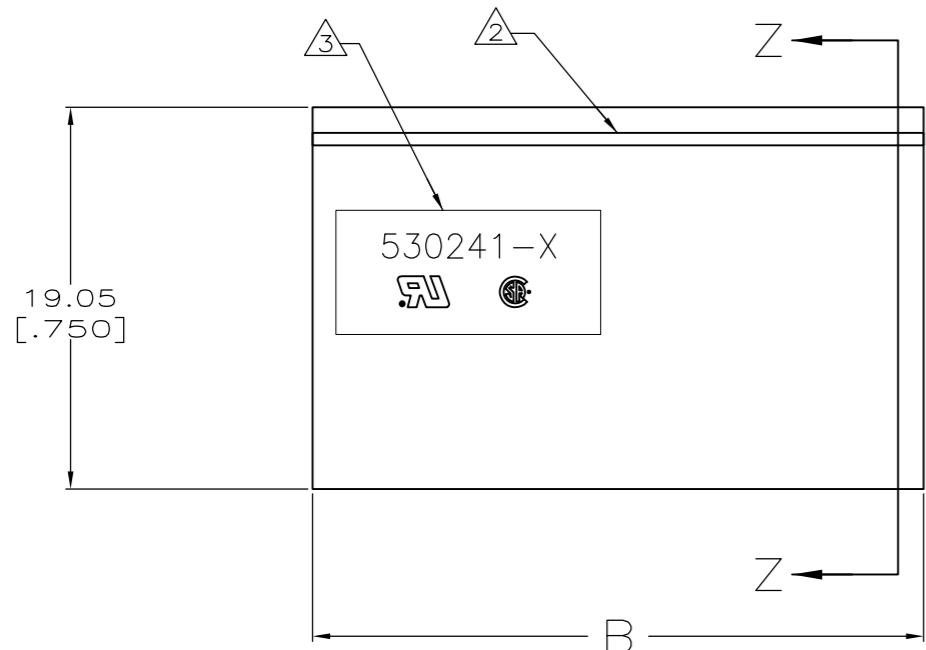
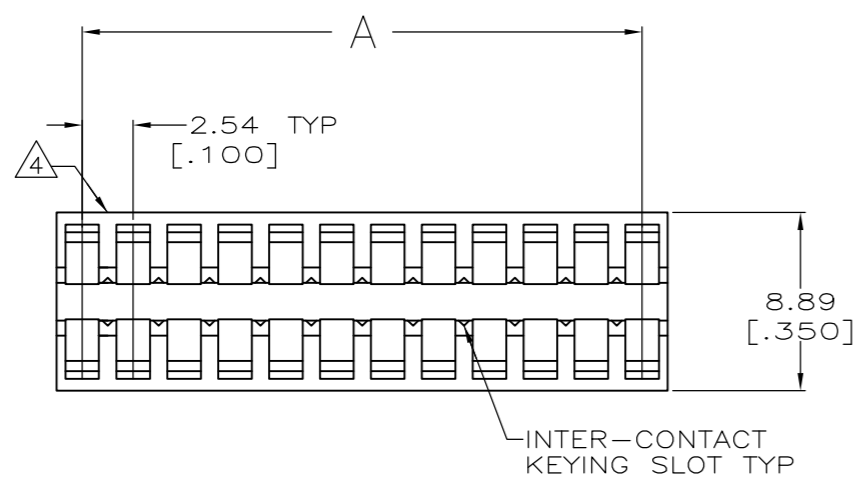
Email & Skype: info@chipsmall.com Web: www.chipsmall.com

Address: A1208, Overseas Decoration Building, #122 Zhenhua RD., Futian, Shenzhen, China

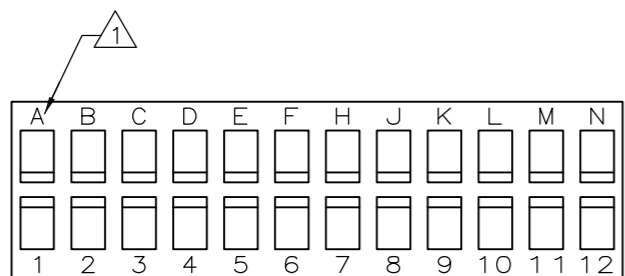


THIS DRAWING IS UNPUBLISHED. RELEASED FOR PUBLICATION  
 © COPYRIGHT BY TYCO ELECTRONICS CORPORATION. ALL RIGHTS RESERVED.

LOC	DIST	REVISIONS			
P	LTR	DESCRIPTION	DATE	DWN	APVD
AD	00				
	P	ECO-05-015024	23JAN2007	RB	MM
	P1	REV PER ECO-09-021510	10SEP09	KK	AEG



SECTION Z-Z



- ① FIRST 22 POSITIONS MARKED WITH UPPER CASE LETTERS, FOLLOWED BY LOWER CASE LETTERS, FOLLOWED BY UPPERCASE AA,AB,AC ETC. CHARACTERS G,I,O AND Q ARE OMITTED.
- ② OPTIONAL PULL GROOVES. THE PULL GROOVE LENGTH, SIZE AND LOCATION ARE AT THE DISCRETION OF THE MOLD VENDOR.
- ③ HOUSING PART NUMBER, UL & CSA LOGO'S TO BE MOLDED IN THIS AREA. UL, LOGO PER 1-18838-3, CSA LOGO PER 1-18839-3.
- ④ DATE CODE TO BE MOLDED IN THIS AREA
- ⑤ MATERIAL: GLASS FILLED POLYESTER. COLOR- BLACK.
- ⑥ OBSOLETE PARTS: OBSOLETE CIS STREAMLINING PER D.RENAUD/D.SINISI

⑥	OBSOLETE	NO STAMPING	5.84 [.230]	2.54 [.100]	2	530241-3
		③	30.48 [1.200]	27.94 [1.100]	12	530241-1
	INK STAMPED	B	A	POSN	PART NUMBER	

THIS DRAWING IS A CONTROLLED DOCUMENT.		DWN	J GALLUCCI BG	12-9-92	Tyco Electronics Corporation Harrisburg, PA 17105-3608	
DIMENSIONS: INCHES		CHK	H ROSE	2/8/94	NAME	
TOLERANCES UNLESS OTHERWISE SPECIFIED:		APVD	-	-	HOUSING, CRIMP SNAP TWIN LEAF, .100 CL, FOR CRIMPED CONTACT	
0 PLC ± -		PRODUCT SPEC	-	-	SIZE	A2
1 PLC ± -		APPLICATION SPEC	-	-	CAGE CODE	00779
2 PLC ± -		WEIGHT	-	-	DRAWING NO	C=530241
3 PLC ± 0.13[.005]		CUSTOMER DRAWING	-	-	RESTRICTED TO	-
4 PLC ± -		SCALE	4:1	SHEET	1 of 1	REV
ANGLES ± -						P1
FINISH -						