



Chipsmall Limited consists of a professional team with an average of over 10 year of expertise in the distribution of electronic components. Based in Hongkong, we have already established firm and mutual-benefit business relationships with customers from,Europe,America and south Asia,supplying obsolete and hard-to-find components to meet their specific needs.

With the principle of "Quality Parts,Customers Priority,Honest Operation,and Considerate Service",our business mainly focus on the distribution of electronic components. Line cards we deal with include Microchip,ALPS,ROHM,Xilinx,Pulse,ON,Everlight and Freescale. Main products comprise IC,Modules,Potentiometer,IC Socket,Relay,Connector.Our parts cover such applications as commercial,industrial, and automotives areas.

We are looking forward to setting up business relationship with you and hope to provide you with the best service and solution. Let us make a better world for our industry!



Contact us

Tel: +86-755-8981 8866 Fax: +86-755-8427 6832

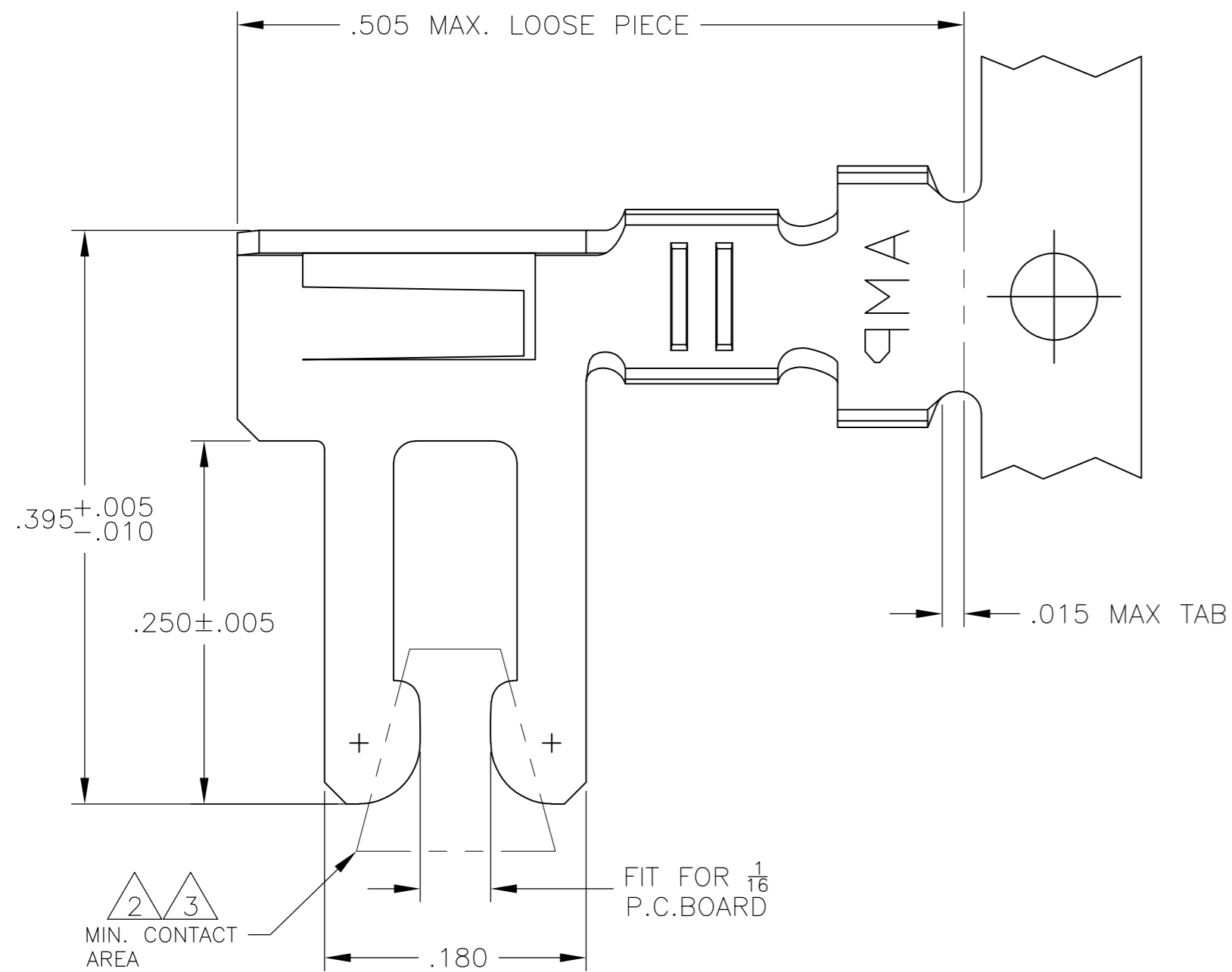
Email & Skype: info@chipsmall.com Web: www.chipsmall.com

Address: A1208, Overseas Decoration Building, #122 Zhenhua RD., Futian, Shenzhen, China

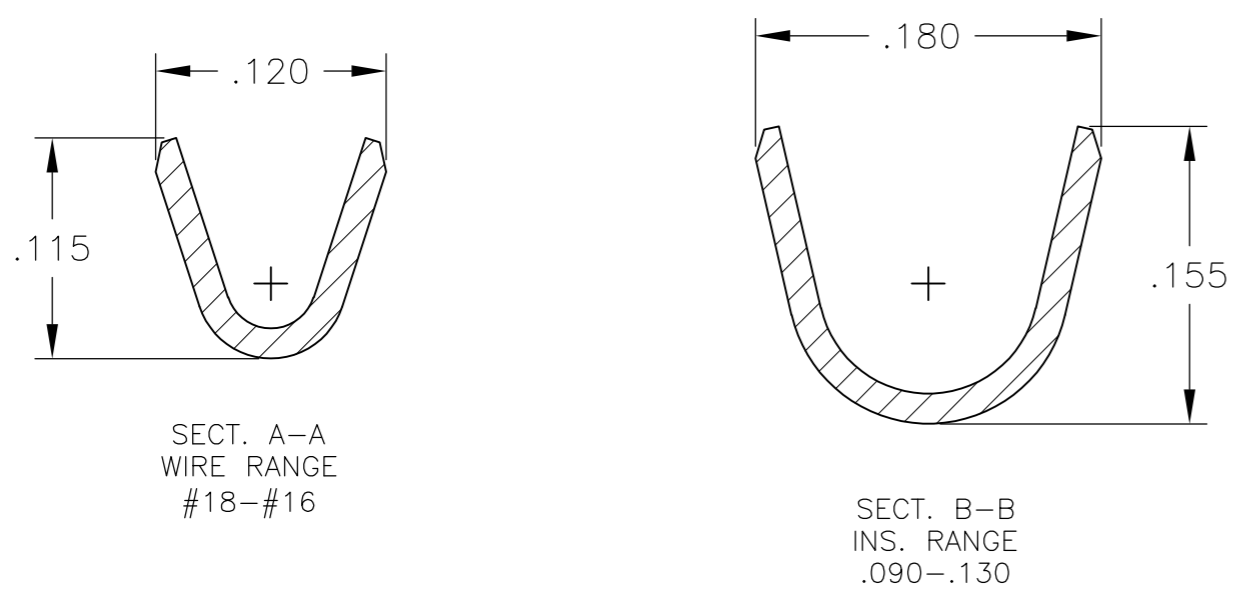
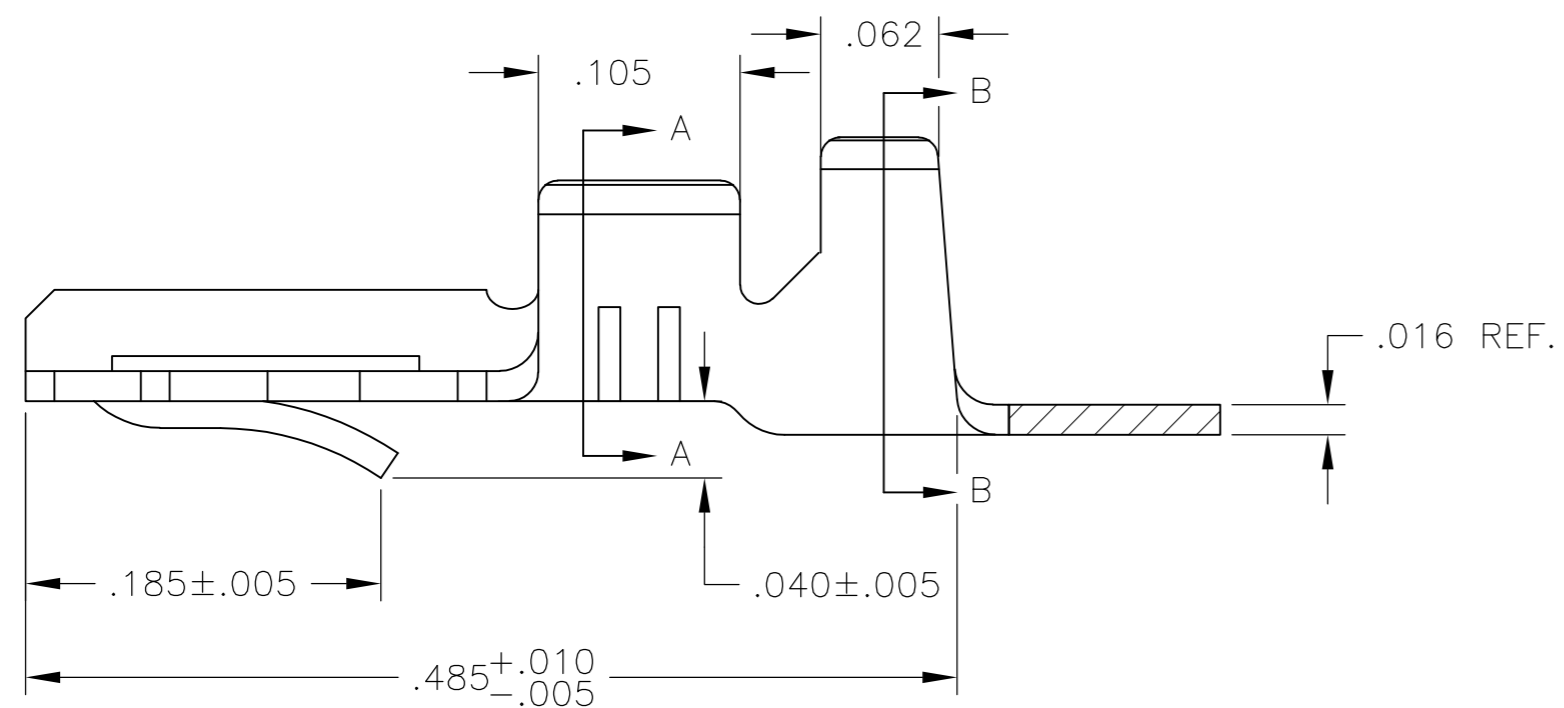


THIS DRAWING IS UNPUBLISHED. RELEASED FOR PUBLICATION
 © COPYRIGHT BY TYCO ELECTRONICS CORPORATION. ALL RIGHTS RESERVED.

LOC	DIST	REVISIONS			
P	LTR	DESCRIPTION	DATE	DWN	APVD
AD	00	M	ECO-07-10819	09MAY07	MB MM



- △1 TO BE USED IN HOUSING WITH INSULATION CAVITY SIZE OF .128x.155
- △2 .000030 GOLD OVER .000050 NICKEL IN CONTACT AREA .000050 NICKEL ON REMAINDER OF CONTACT.
- △3 .000015 GOLD OVER .000050 NICKEL IN CONTACT AREA REMAINDER OF CONTACT .000050 NICKEL.



OBSOLETE				
5-530501-5	5-530502-1	TIN PLATE OVER NICKEL	PHOS. BRONZE	-
OBSOLETE	530501-7	530502-3	△3 PHOS. BRONZE	530501-4
OBSOLETE	530501-6	530502-2	△2 PHOS. BRONZE	530501-3
530501-5	530502-1	TIN/LEAD PL OVER NICKEL	PHOS. BRONZE	530501-2
L.R FEED FOR MINI-APPL.	L.P.NO.REF.	FINISH	MATERIAL	STRIP P/N, R-L FEED STD. REELING

THIS DRAWING IS A CONTROLLED DOCUMENT.		DWN -	Tyco Electronics Corporation Harrisburg, Pa 17105-3608	
DIMENSIONS: INCHES	TOLERANCES UNLESS OTHERWISE SPECIFIED:	CHK M MILLER	APVD M MILLER	NAME
	0 PLC ± -	PRODUCT SPEC	DUO-TYNE FLAG CONTACT	
	1 PLC ± -	APPLICATION SPEC	18-16 AWG, WIRE	
	2 PLC ± .010	WEIGHT -	SIZE A2	CAGE CODE 00779
	3 PLC ± -	FINISH SEE TABLE	DRAWING NO C=530501	RESTRICTED TO -
MATERIAL SEE TABLE	FINISH SEE TABLE	CUSTOMER DRAWING	SCALE 10:1	SHEET 1 OF 1